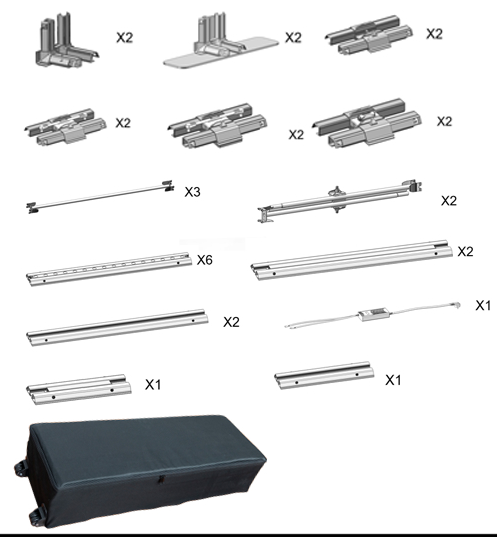
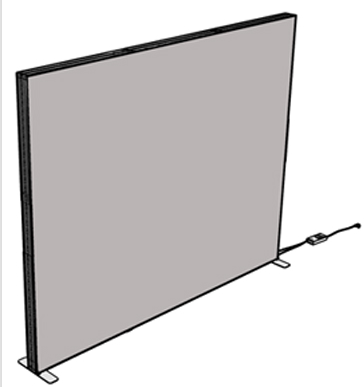


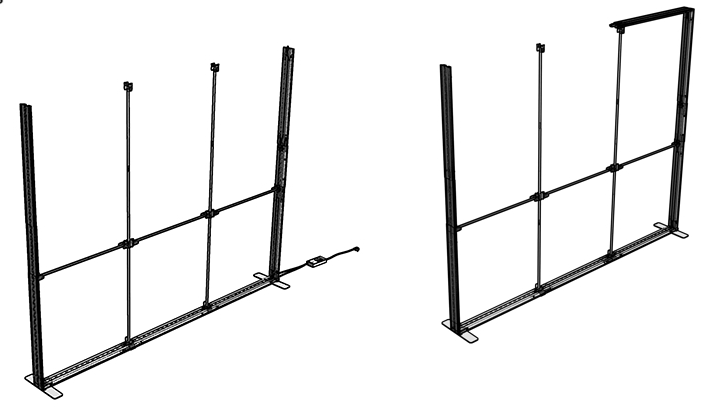
120 SEG LIGHTBOX 10' × 8'

120 SEG LIGHTBOX 10' × 8'

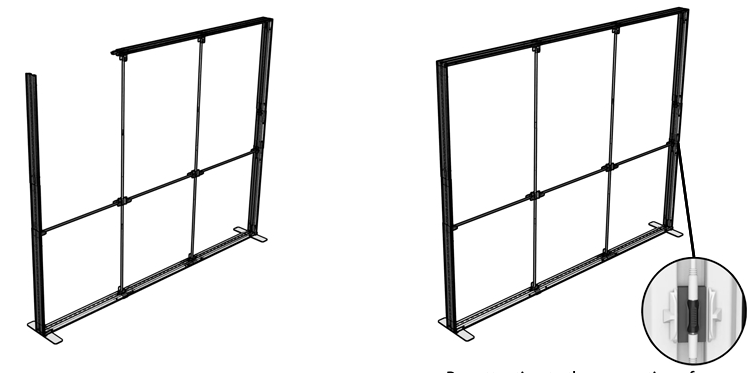
Product Parts :



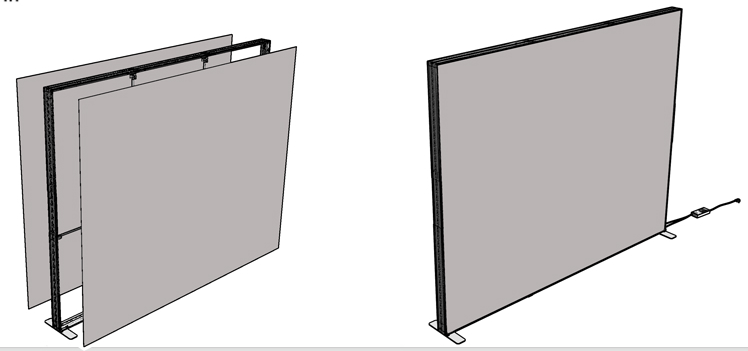
Step 4 Attach all the Support Poles



Step 5 Finish the Frame

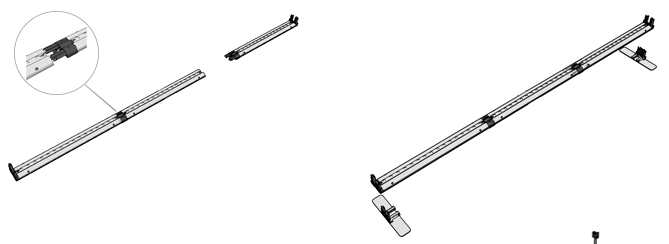


Step 6 Install the Graphic & Plug In



Pay attention to the connection of wires at both ends

Step 1 Assemble the Bottom



Step 2 Assemble the Top



Step 3 Assemble the 2 sides

