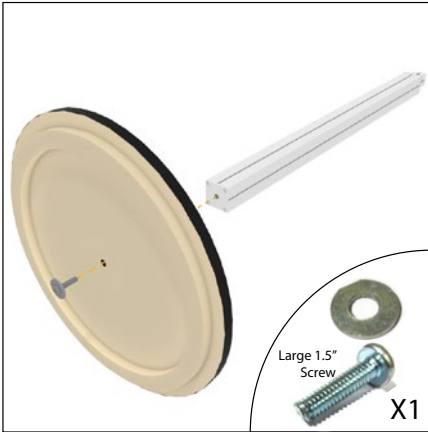
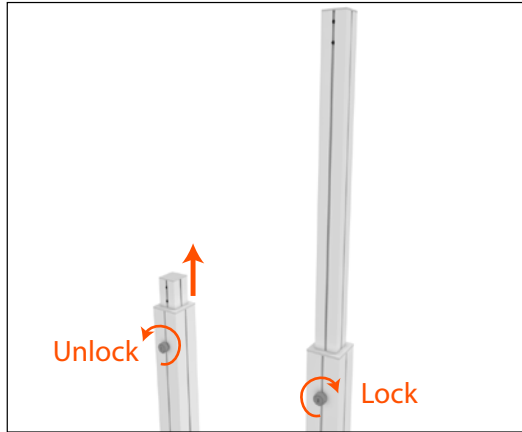


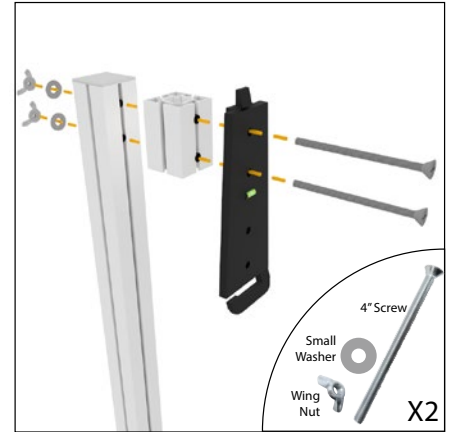
Small Adjustable Monitor Stand (with Standoff Block) Assembly Instructions



1. Connect column to the foot with the large 1.5" screw and large washer.



2. Loosen height adjustment knob and extend the column to desired height. (Eye-height is recommended)



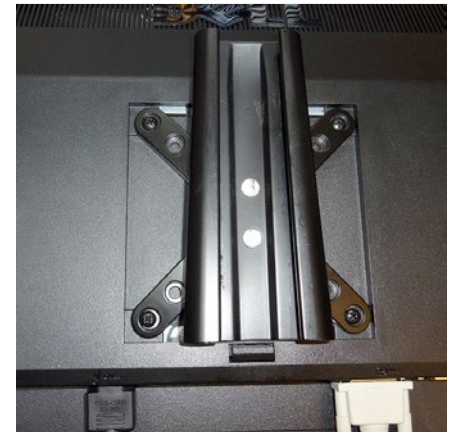
3. Install the standoff block and back monitor bracket piece to the front of the column using two 4" screws, two small washers, and two wing nuts. Hand tighten wing nuts.



4. Insert the bracket through the cut-through in the fabric display's graphic.



5. If your monitor has a large mounting hole pattern (VESA 200 to 400), attach the included adapter plates to the X-shaped monitor bracket. See instructions included with the bracket for more detailed instructions on attaching the adapter plates.



6. Install the X-shaped monitor bracket to the back of the monitor using appropriate screws for the monitor you are using. An array of screws is included with the monitor bracket.



7. Carefully hang the monitor on the stand in front of the fabric display and route wires through the cut-through.



8. Attach shelf in desired location on the back of the column using the star bit wrench.



9. Cable clips may be used for holding wires out of the way.