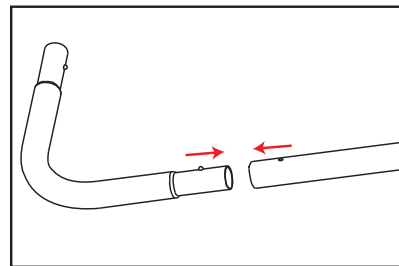
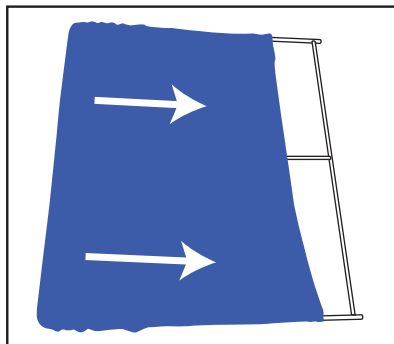


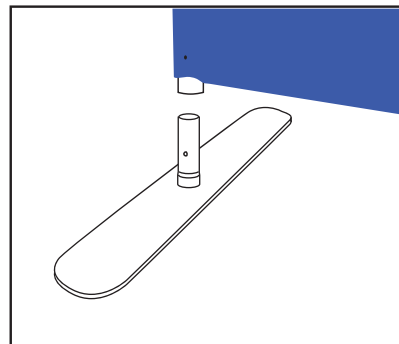
1. Straighten and assemble all bungeed poles.



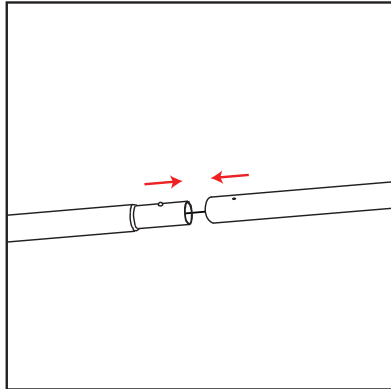
2. Assemble the frame by aligning the stickers as seen in the frame diagram above.



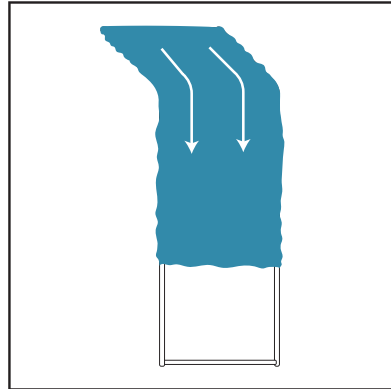
3. Pull pillowcase graphic over frame and zip bottom closed.



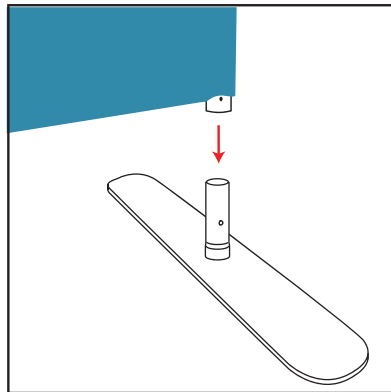
4. Attach the feet to the frame as seen in the diagram above.



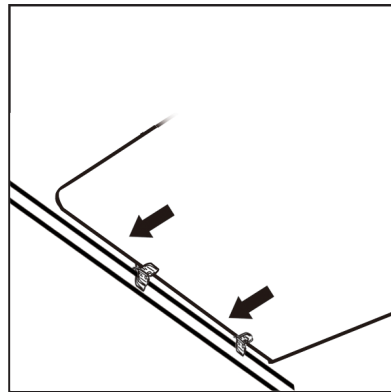
1. Matching the numbered stickers, assemble the frame as seen in Diagram A.



2. Pull the fabric graphic over the frame and zip up the bottom.



3. Attach the feet to the frame.



4. Attach arch frame to any 91" tall flat-top Ensemble frame using two clips.

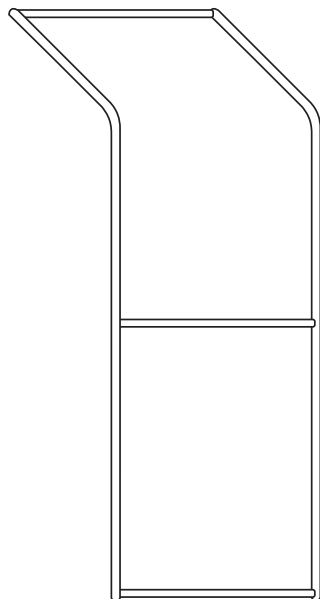


Diagram A

