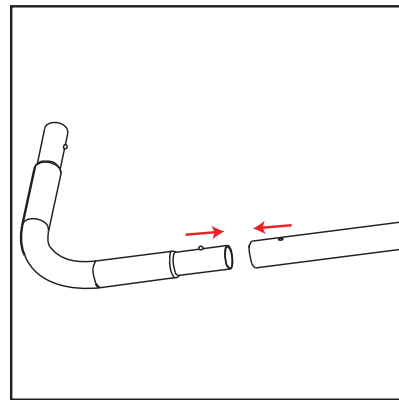
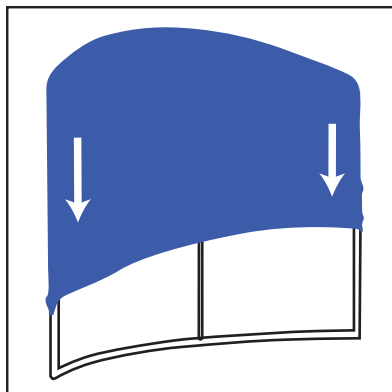


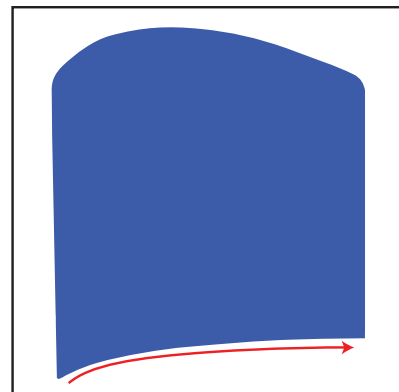
1. Straighten and assemble all bungeed poles.



2. Assemble the frame by aligning the stickers as seen in the frame diagram.



3. Pull pillowcase graphic over frame.



3. Zip bottom of graphic closed.