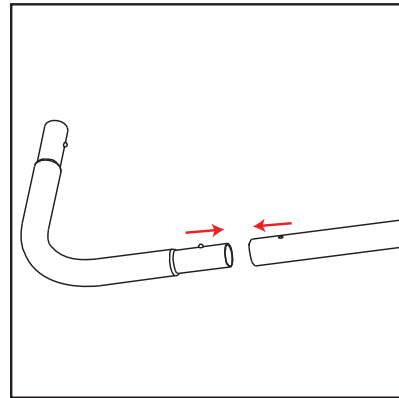
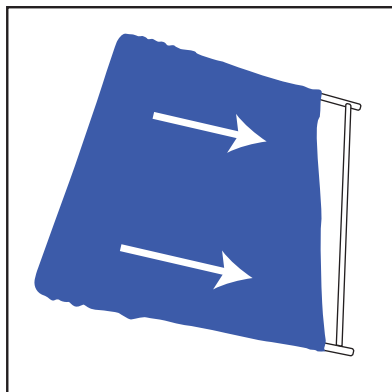


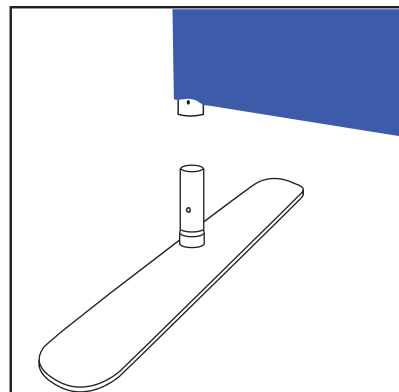
1. Straighten and assemble all bungeed poles.



2. Assemble the frame by aligning the stickers as seen in the frame diagram.



3. Pull pillowcase graphic over frame and zip bottom closed.



4. Attach the feet to the frame.