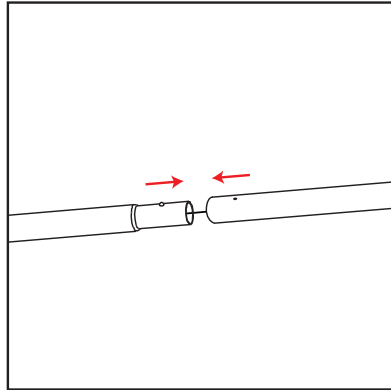
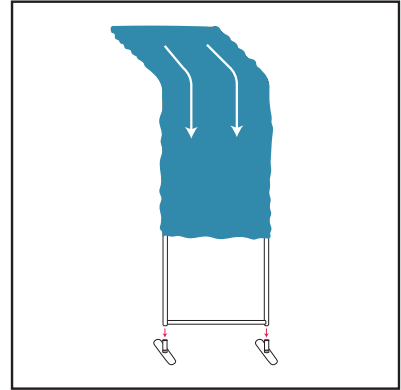


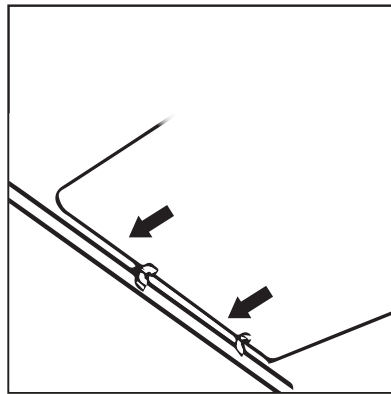
Diagram A



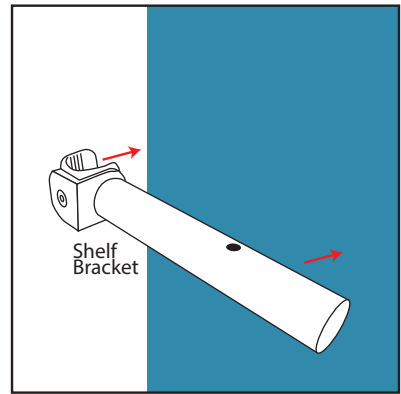
1. Matching the numbered stickers, assemble the frame as seen in Diagram A.



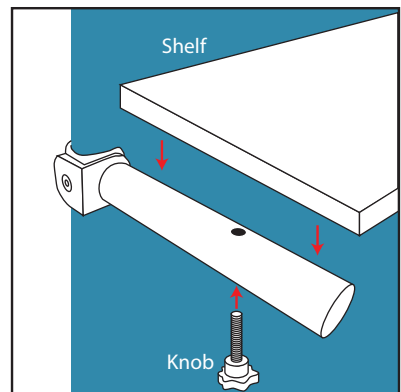
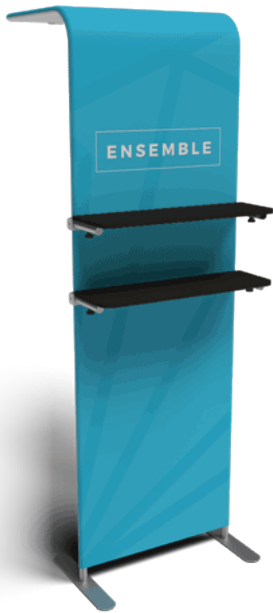
2. Pull the fabric graphic over the frame and zip up the bottom. Attach Feet to the bottom of the frame.



3. Attach arch frame to any 91" tall flat-top Ensemble frame using two clips.



4. Clip the shelf brackets to the left and right sides of the frame.



5. Set the shelf onto the brackets and make sure it's level. Attach the shelf with two knobs through the brackets.



Weight on shelves must not exceed 11 lbs per shelf.