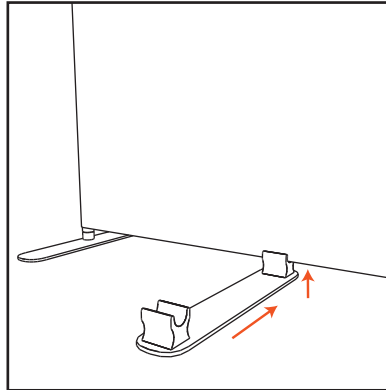
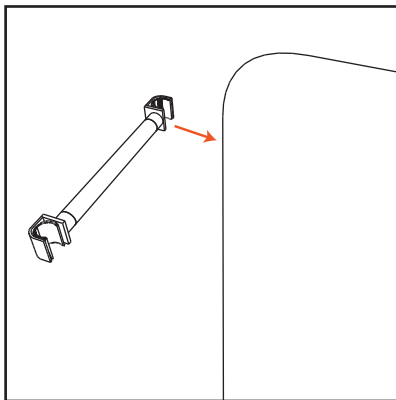


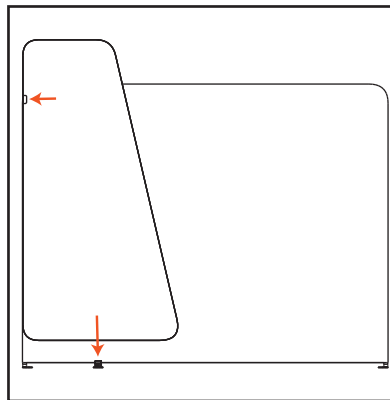
1. Assemble the frame together as referenced in Diagram A.



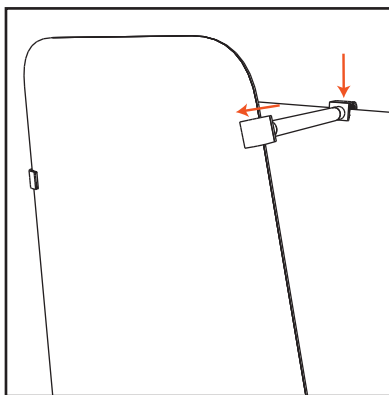
2. Slide the accent panel support foot under the primary display structure and clip into place.



3. Attach standoff clip onto the desired side of your primary display structure.



4. Mount the accent panel to the clips so the straight edge is flush with the primary display structure.



5. Attach standoff clip onto the top of your display structure and attach to the diagonal edge of the accent panel.

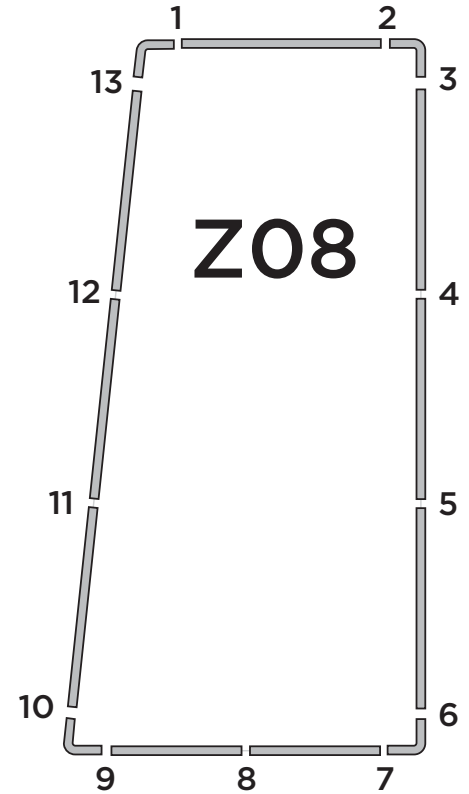
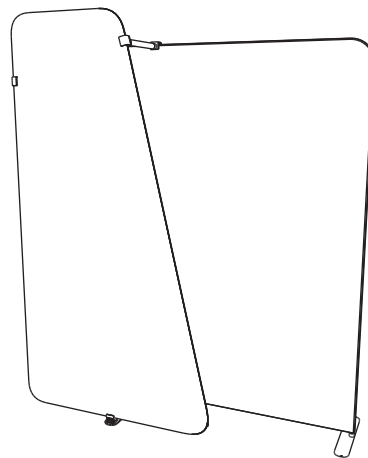
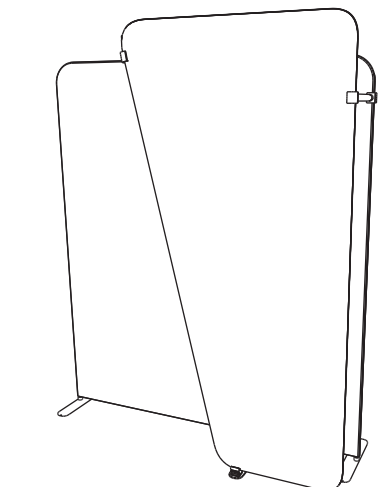


Diagram A



Accent Panel may be oriented differently.