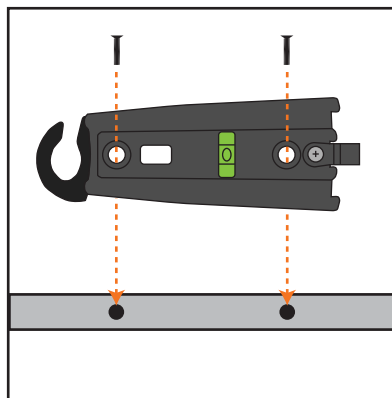


1. Matching the numbered poles, assemble the frame as seen in Diagram A.

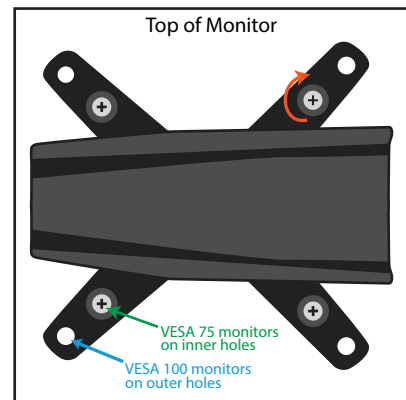


2. Using the provided 5mm hex key, assemble the monitor and shelf supports.

Optional Monitor Mount



3. Screw bracket to horizontal support bar using the provided 4mm hex key. Ensure hook is facing downward on right.



4. Mount the monitor bracket to back of monitor as shown above using a Phillips head screwdriver.



5. Slide the monitor into the bracket until it locks in place.



Monitor weight must not exceed 15 pounds.

