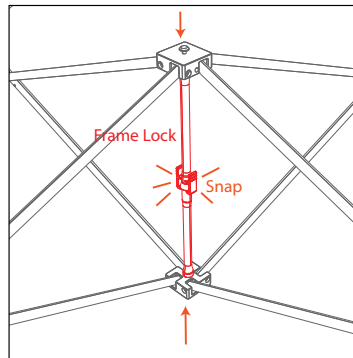
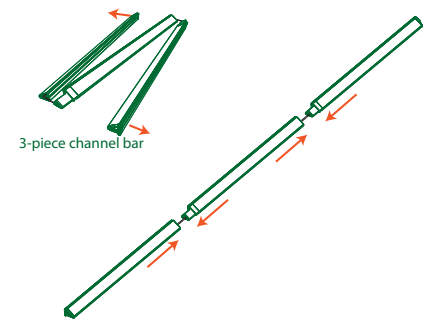


1. Set one frame standing on end. Grasp two of the middle hubs (circled in orange) and gently expand the frame. Note the location of the adjustable feet for future reference.



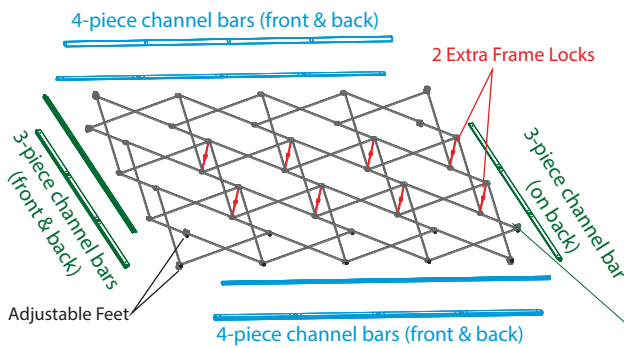
2. Snap all frame locks (marked in red in the diagrams below) to secure the frame.

It is recommended to assemble the frame with it laying on its back.

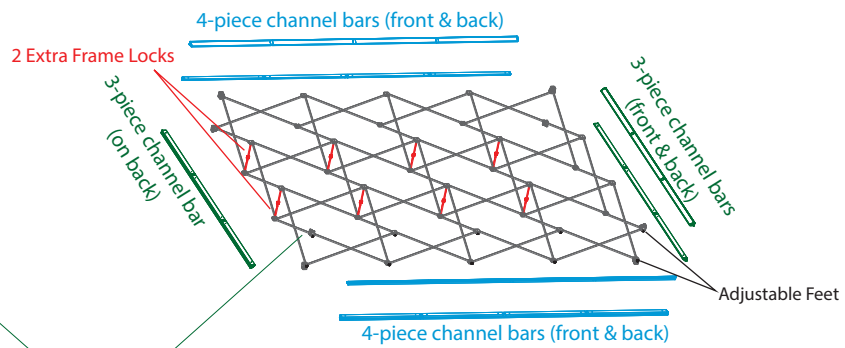


3. Unfold and slip together each bungeed channel bar.

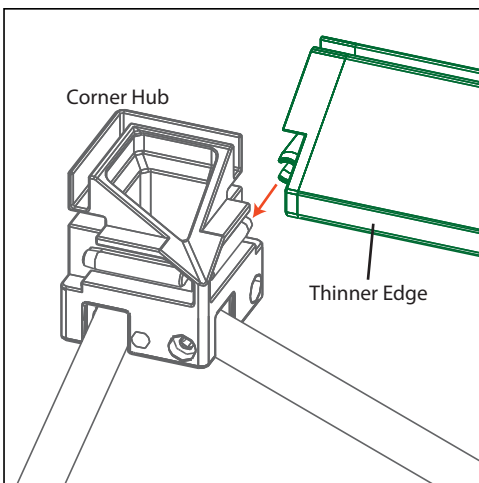
Left 10 Foot Flat Frame



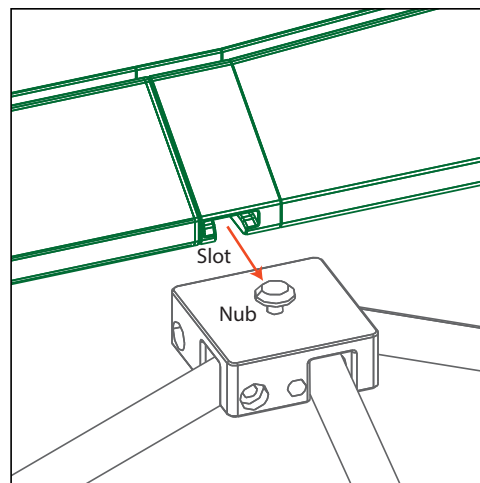
Right 10 Foot Flat Frame



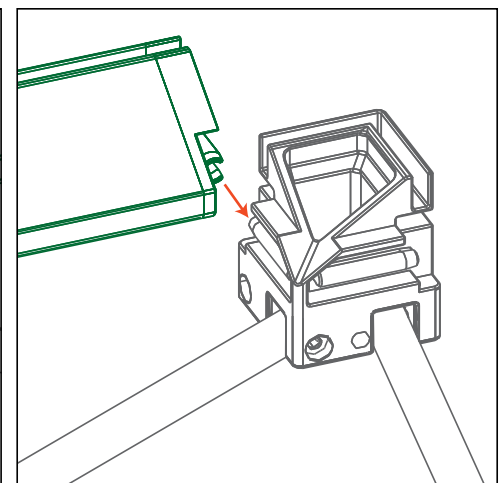
Do not attach front vertical channel bars in the middle of the 20' display



4A. Slide one end of the first channel bar onto the connection point of one of the corner hubs. The triangular channel bar's thinner edge goes toward the inside of the frame.

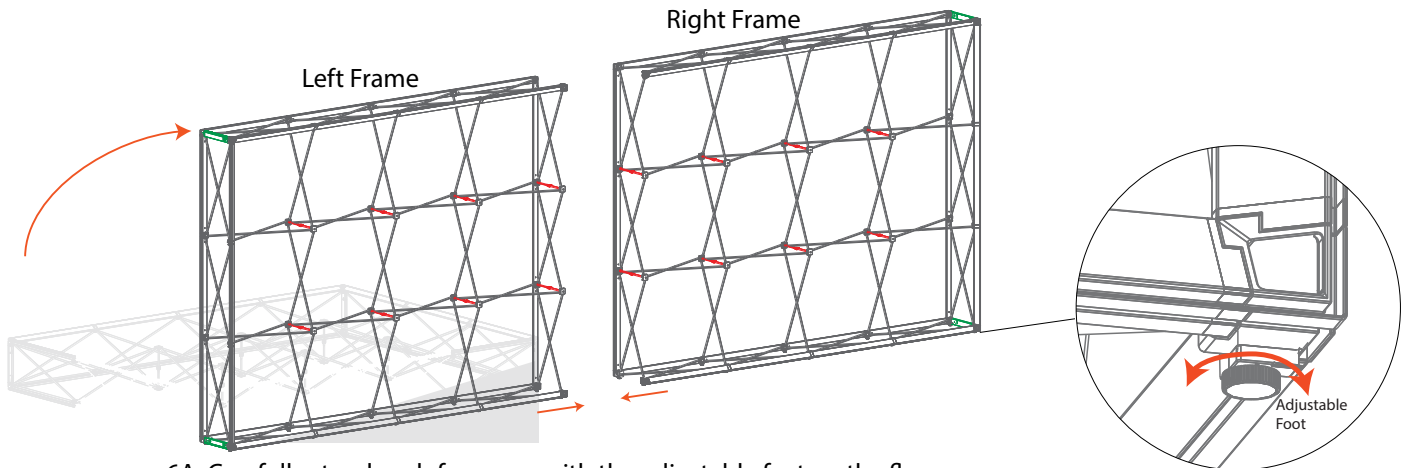


4B. Snap the slots in the back of the channel bar onto the nubs on the hubs.



4C. Attach the other end of the channel bar to the other corner hub. Repeat steps 4A-4C for all channel bars as seen in the diagrams above.

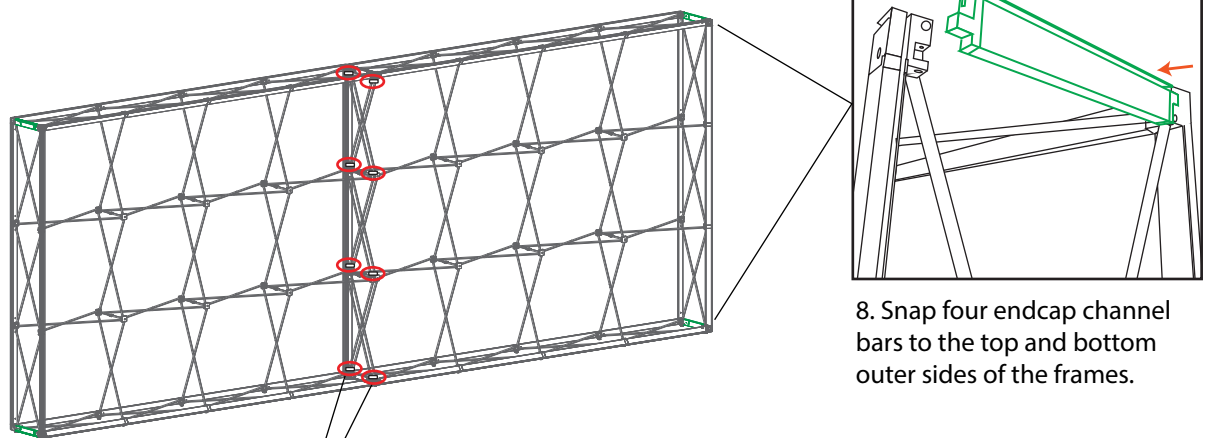
5. Repeat steps 1-4C for the second frame.



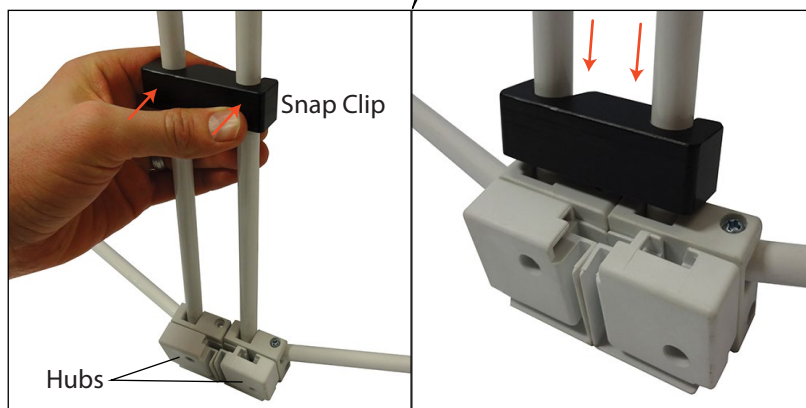
6A. Carefully stand each frame up with the adjustable feet on the floor.  
Note: This may require two people.

7. If the frame is on an uneven floor or if it leans, adjust the bottom feet.

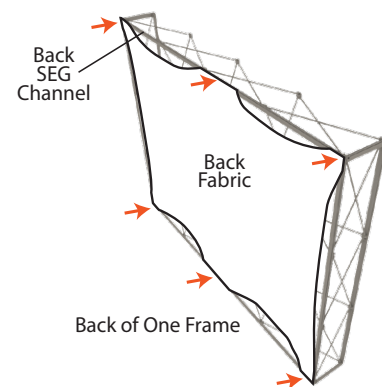
6B. Slide the two frames together.



8. Snap four endcap channel bars to the top and bottom outer sides of the frames.

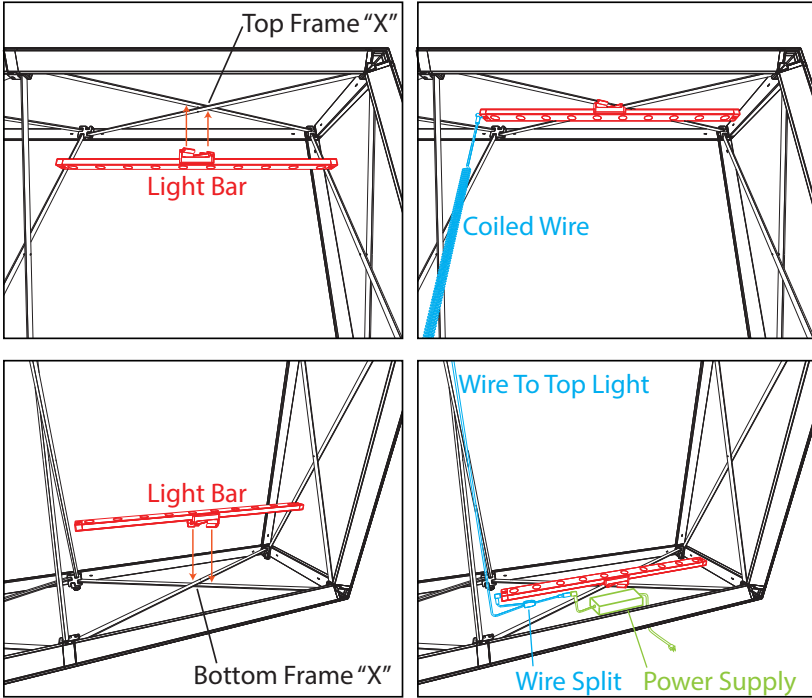


9. Secure the frames together with 8 snap clips.  
Snap each clip onto the poles about 6-7" away from the hubs.  
Slide the clip toward the hubs to secure.



10. Install the back fabric onto each frame.  
See SEG fabric installation details on page 4.

### Edge Lighting Installation Instructions



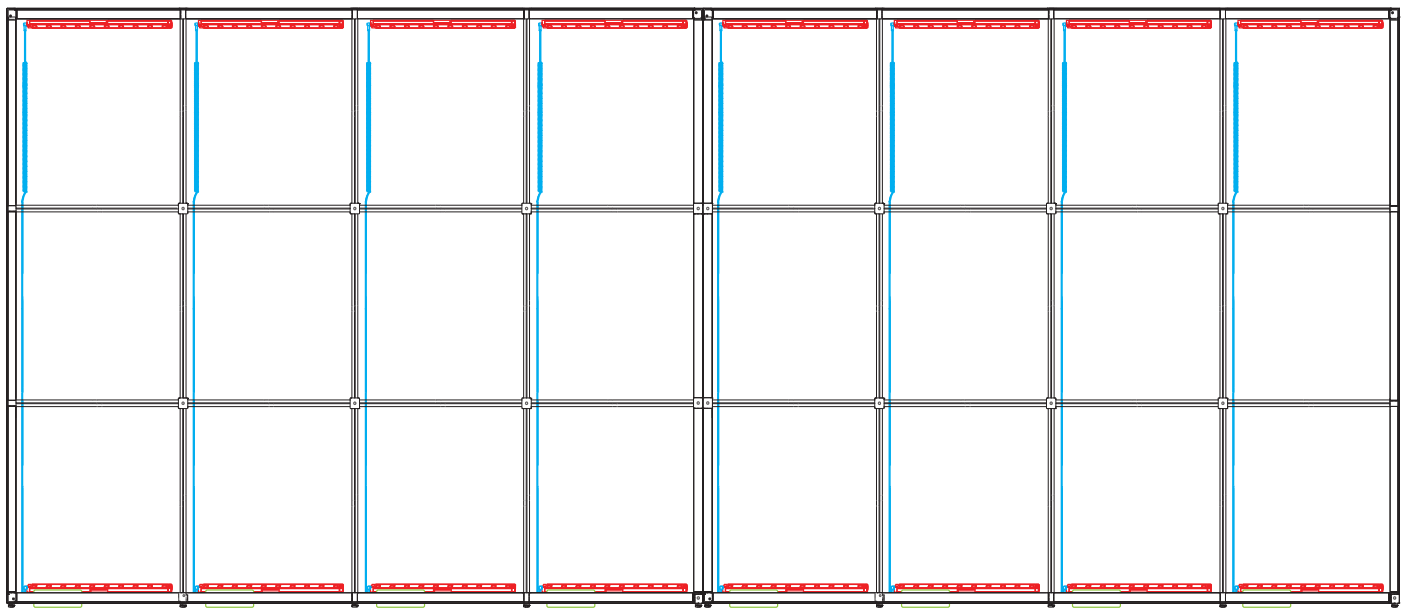
11. Snap a light bar onto the center of the "X" located at the top of the frame.

12. Connect the coiled end of the wire to the light bar.

13. Snap another light bar onto the center of the "X" located at the bottom of the frame.

14A. Connect the male end of wire split to the light bar.  
14B. Connect the power supply to the female end of the wire split. Plug in the power supply to test.

15. Repeat steps 8-11 to install a light bar onto each "X" on the top and bottom of the frame.



## Silicone Edge Graphic (SEG) Fabric Installation Instructions



Caution! Installing silicone-edged graphics is technique sensitive; Practice will shorten installation time.

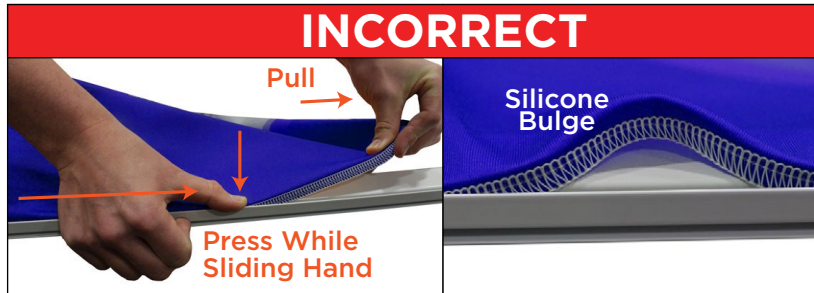


Handle graphics with care with clean hands in a clean environment. Clean cloth or latex gloves are recommended.

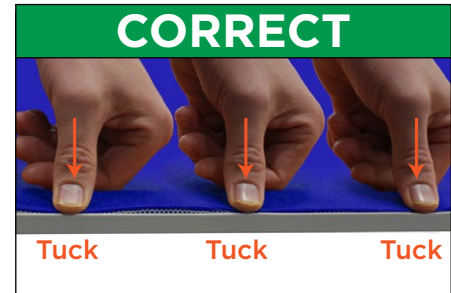


How to Install SEG Graphics:

Turn and tuck the side of the graphic with the silicone welt into the SEG groove. The stitched edge goes into the groove first.



Pulling on the silicone welt during installation stretches the silicone and creates a bulge in the silicone welt that is difficult to correct smoothly.

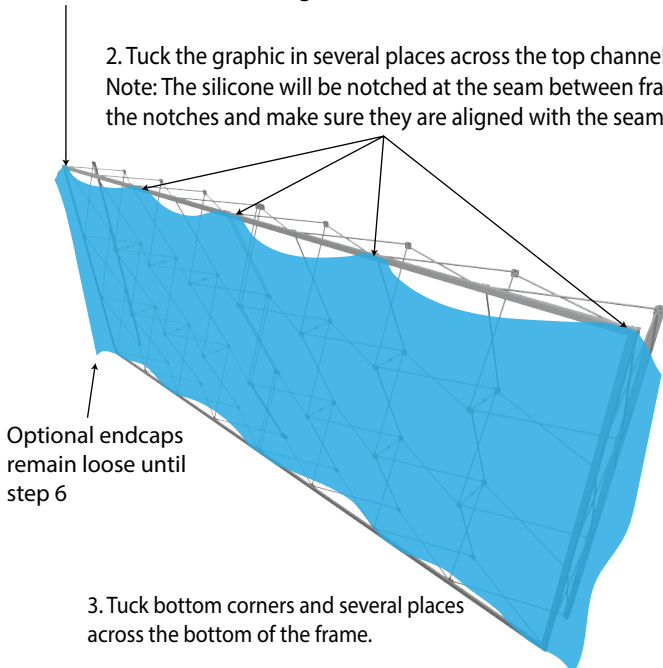


A series of tucks reduces excess silicone.

## Installing Graphics with Wrap-Around Endcaps

1. Start tucking the graphic in one corner.  
If your graphic has endcaps, start tucking where the silicone welt begins.

2. Tuck the graphic in several places across the top channel bar.  
Note: The silicone will be notched at the seam between frames. Locate the notches and make sure they are aligned with the seams.



3. Tuck bottom corners and several places across the bottom of the frame.

4. Complete top and bottom installation.

5. Wrap endcaps around the frame and tuck into the side channels of the rear channel bars and the horizontal channels of the endcap channel bars.

