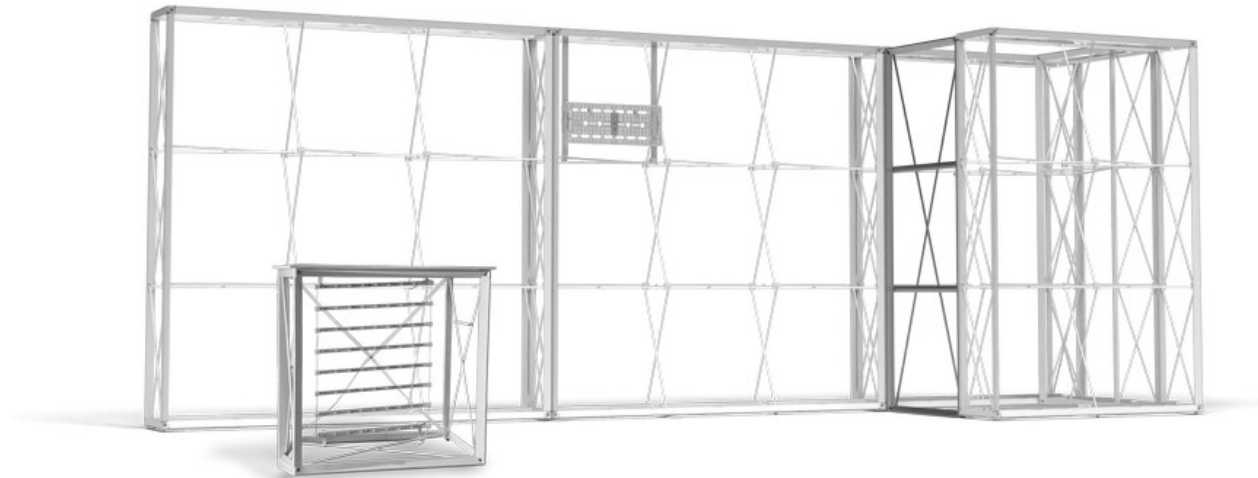
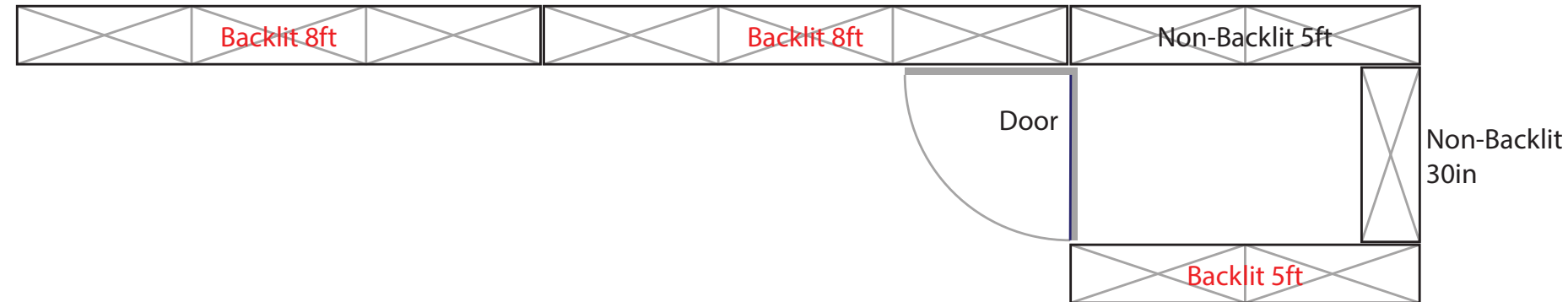


View From Above



Shown with optional counter

Hardware Parts List

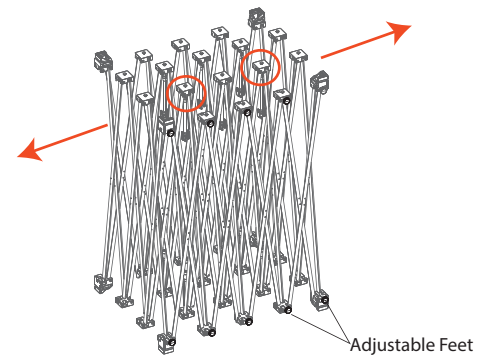
- (3) 5 Foot Frames
- (2) 30 Inch Frames
- (1) 8 Foot Frame
- (16) Edge lights
- (8) Power Supplies for Edge Lights
- (1) Door Kit:
 - (1) Door
 - (1) X-shaped Door Strap
 - (2) Doorway Spacer Bars
 - (3) Hinge Pairs
 - (1) Magnetic Latch Set
- (3) U-Connector
- (6) 90° Inside Corner Connector

Table of Contents

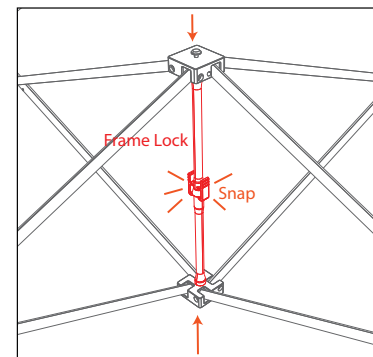
- 2. Graffiti Frame Assembly
- 3. LED Edge Light Installation
- Right Closet Assembly:
 - 4. 90° Corner Connectors & Stabilizing Feet
 - 5. Doorway Spacer
 - 6. Door Assembly
 - 7. Door Hinges and Latch
- Left Closet Assembly (Alternate Arrangement):
 - 8. 90° Corner Connectors & Stabilizing Feet
 - 9. Doorway Spacer
 - 10. Door Assembly
 - 11. Door Hinges and Latch
- 12. Stabilizing Foot and Monitor Bracket
- 13. Graphic Installation & Location Diagram
- 14. Inline/Staggerd U-Connector

Standard Right Closet Arrangement Shown (See Pages 8-11 for Alternate Left Closet Arrangement)

General Frame Assembly

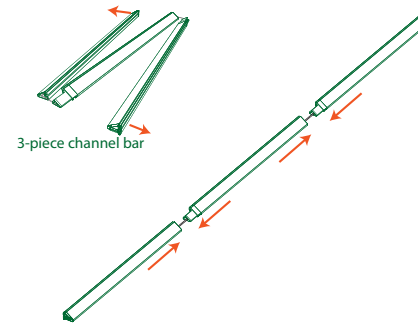


1. Set the frame standing on end. Grasp two of the middle hubs (circled in orange) and gently expand the frame. Note the location of the adjustable feet for future reference.

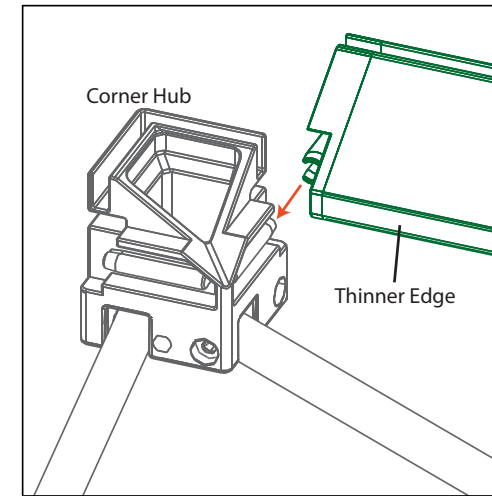


2. Snap all frame locks (marked in red in the diagrams below) to secure the frame.

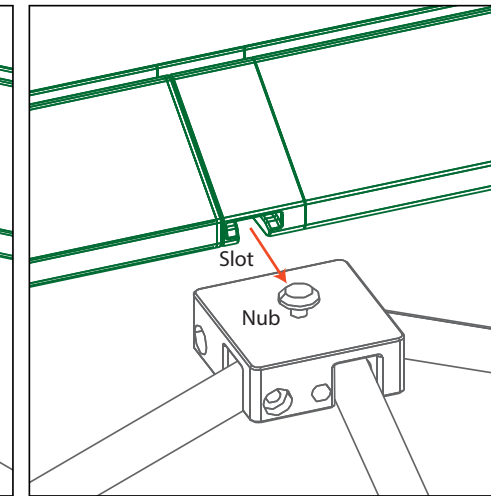
It is recommended to assemble the frame with it laying on its back.



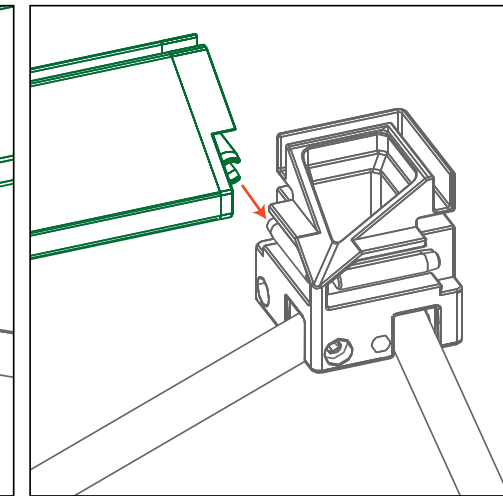
3. Unfold and slip together each bungeed channel bar.



4A. Slide one end of the first channel bar onto the connection point of one of the corner hubs. The triangular channel bar's thinner edge goes toward the inside of the frame.



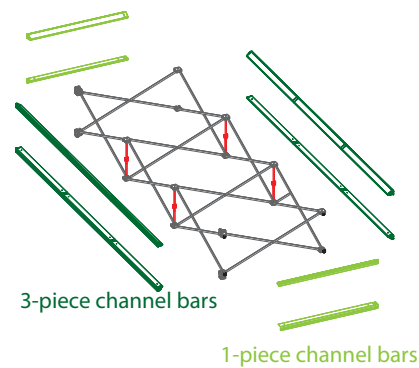
4B. Snap the slots in the back of the channel bar onto the nubs on the hubs.



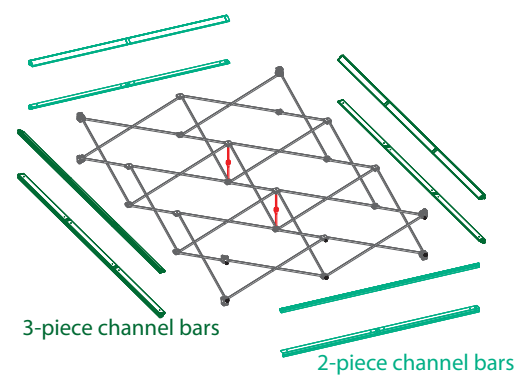
4C. Attach the other end of the channel bar to the other corner hub. Repeat steps 4A-4C for all channel bars as seen in the diagrams above.

Frame Diagrams:

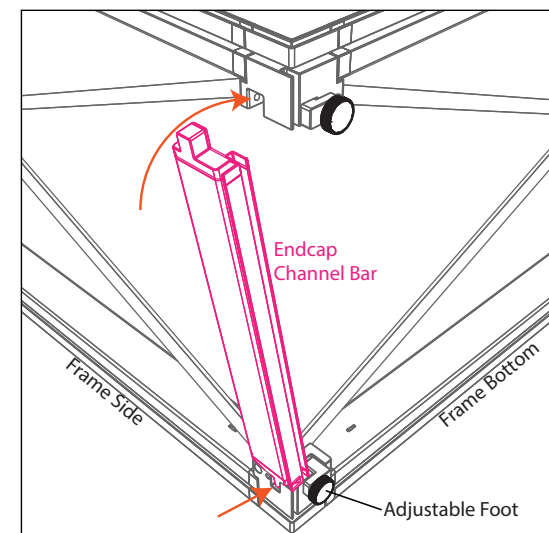
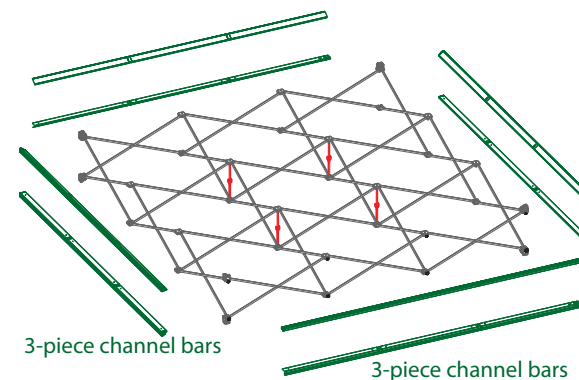
30 Inch Frame (Qty 1)



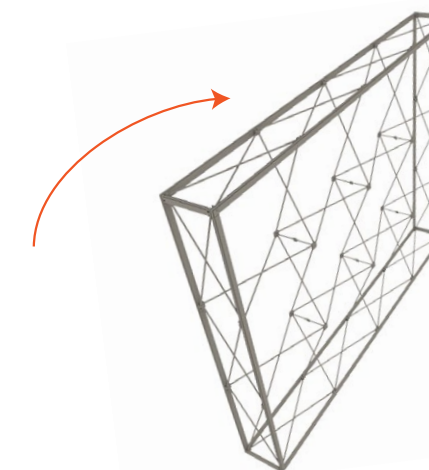
5 Foot Frame (Qty 2)



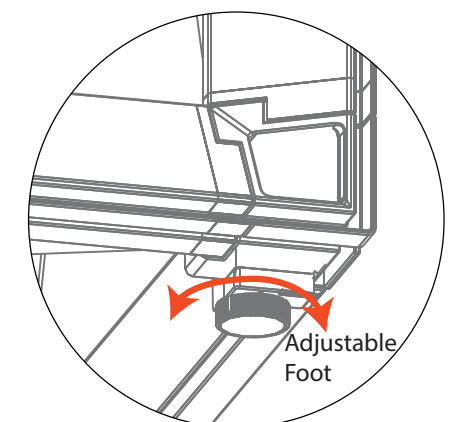
8 Foot Frame (Qty 2)



5. Snap four endcap channel bars onto the sides of the frame.

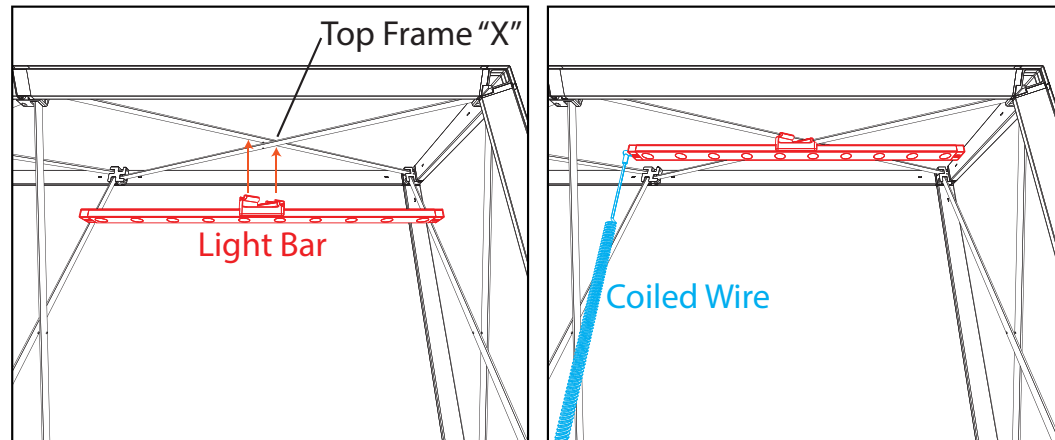


6. Carefully stand the frame up with the adjustable feet on the floor. Note: This may require two people.

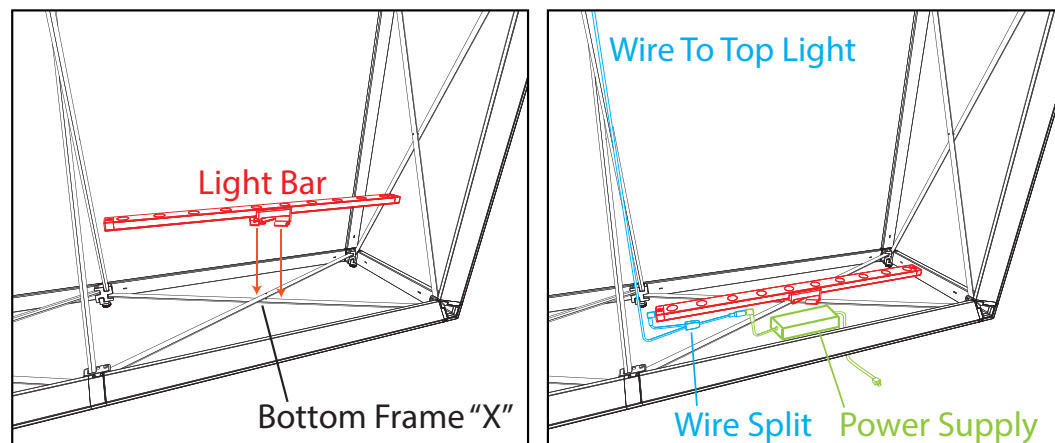


7. If the frame is on an uneven floor or if it leans, adjust the bottom feet.

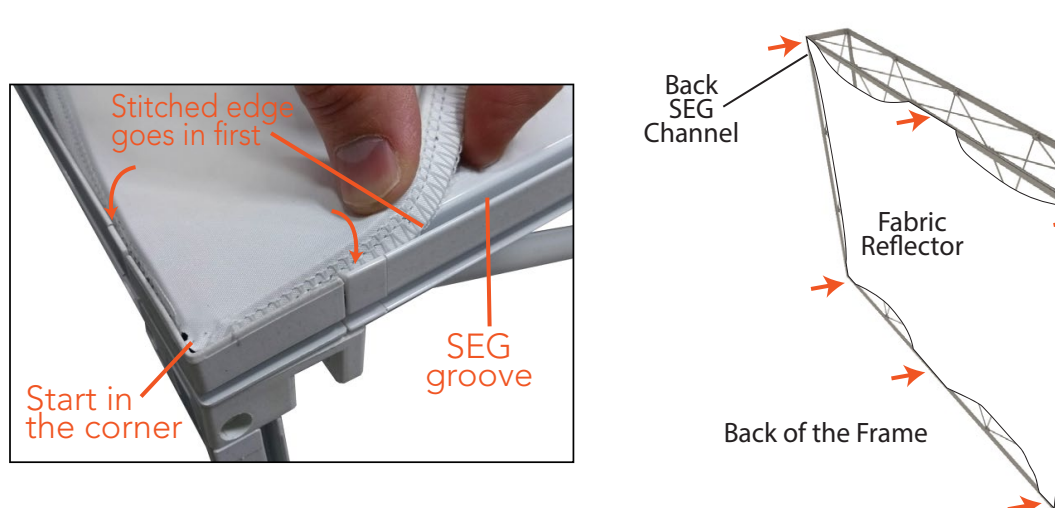
LED Edge Light Installation



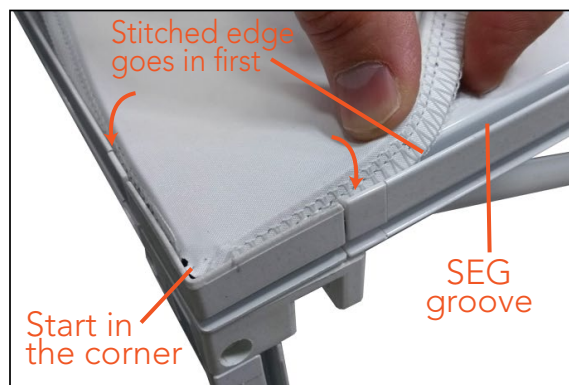
8. Snap a light bar onto the center of the "X" located at the top of the frame.



9. Connect the coiled end of the wire to the light bar.



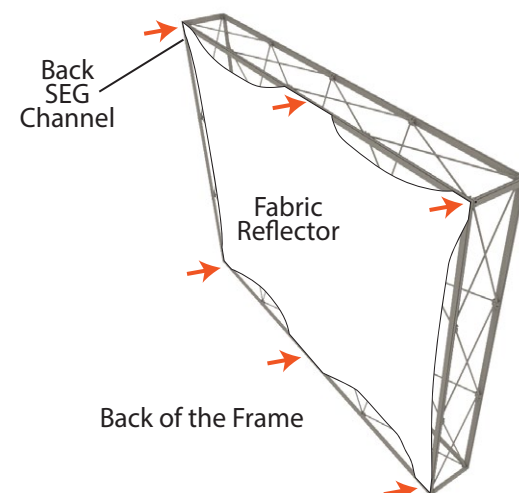
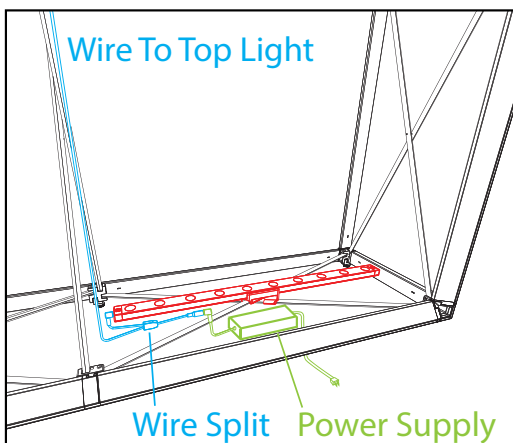
10. Snap another light bar onto the center of the "X" located at the bottom of the frame.



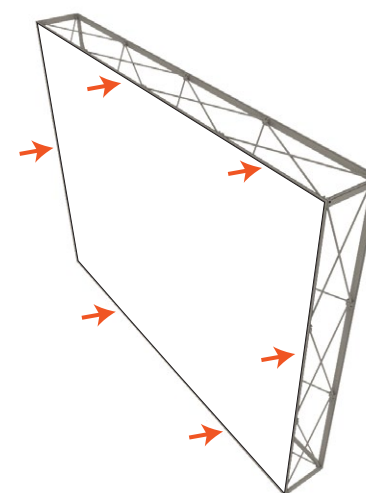
11A. Connect the male end of wire split to the light bar.

11B. Connect the power supply to the female end of the wire split. Plug in the power supply to test.

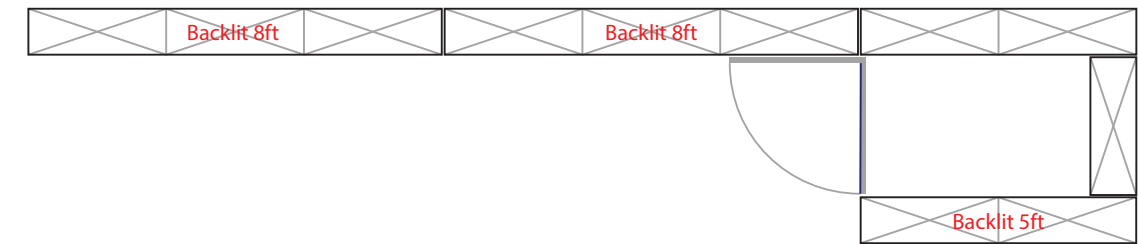
13A. Install the back fabric reflector. Begin by tucking the corners and midway across the top and bottom. The stitched edge of the silicone goes into the SEG channel first.



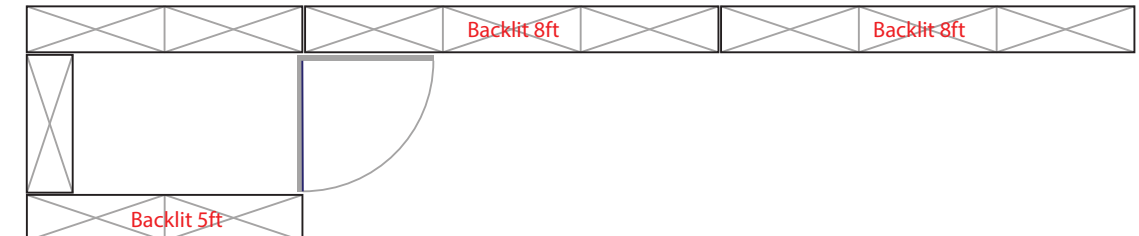
13B. Complete installation of the fabric.



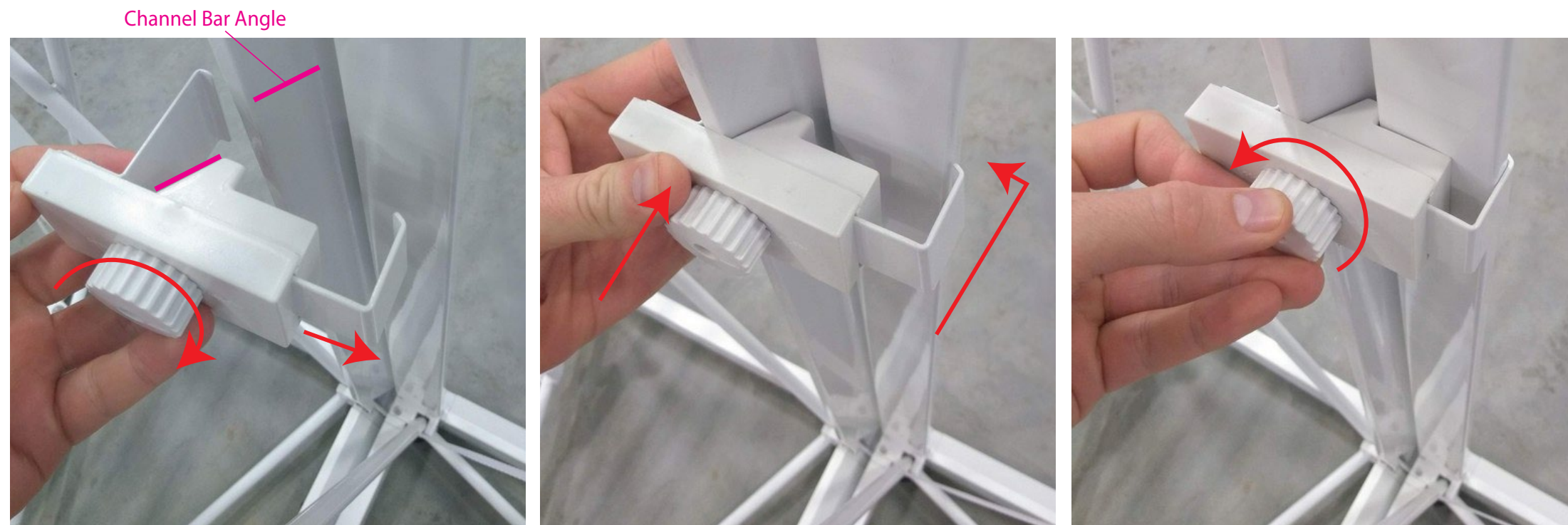
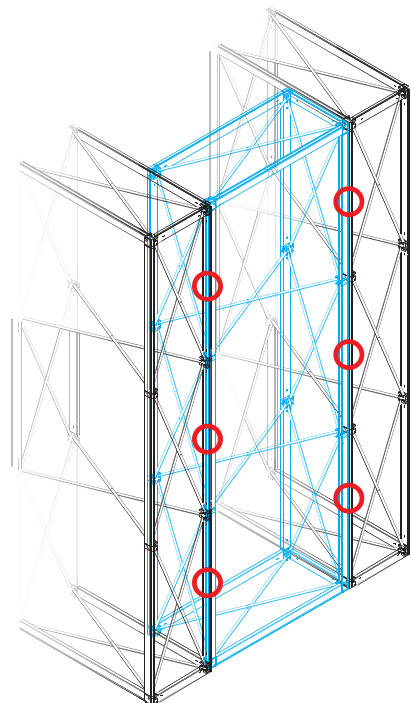
Closet on Right



Closet on Left



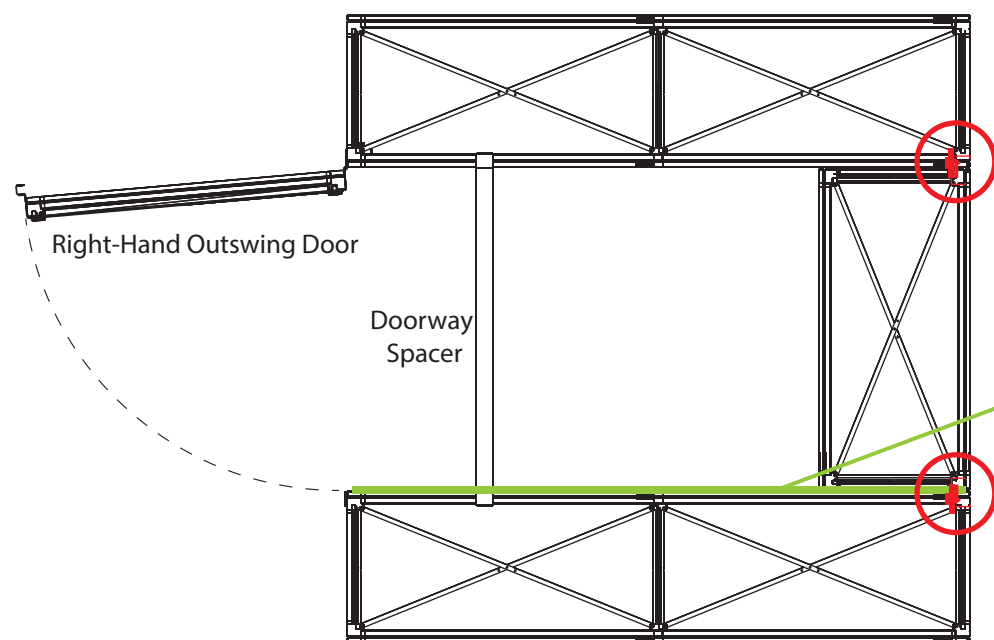
Right Closet Assembly - 90 Degree Corner Connectors



1. To connect the 90 Degree Inside Connector turn the knob **CLOCKWISE** to loosen the sliding hook. Align the angled portion with the angled side of the channel bar (see green lines)

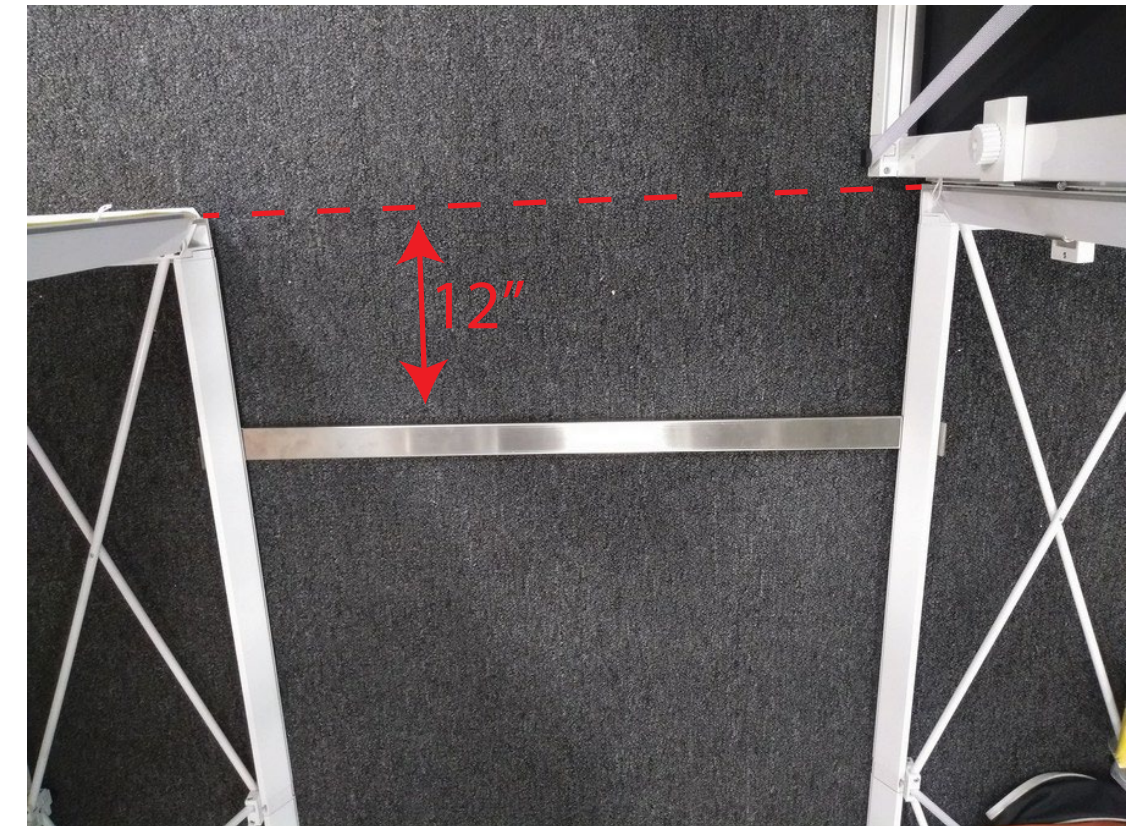
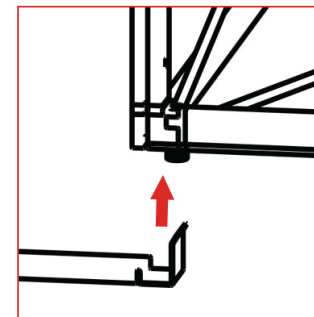
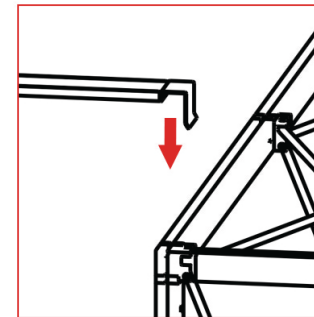
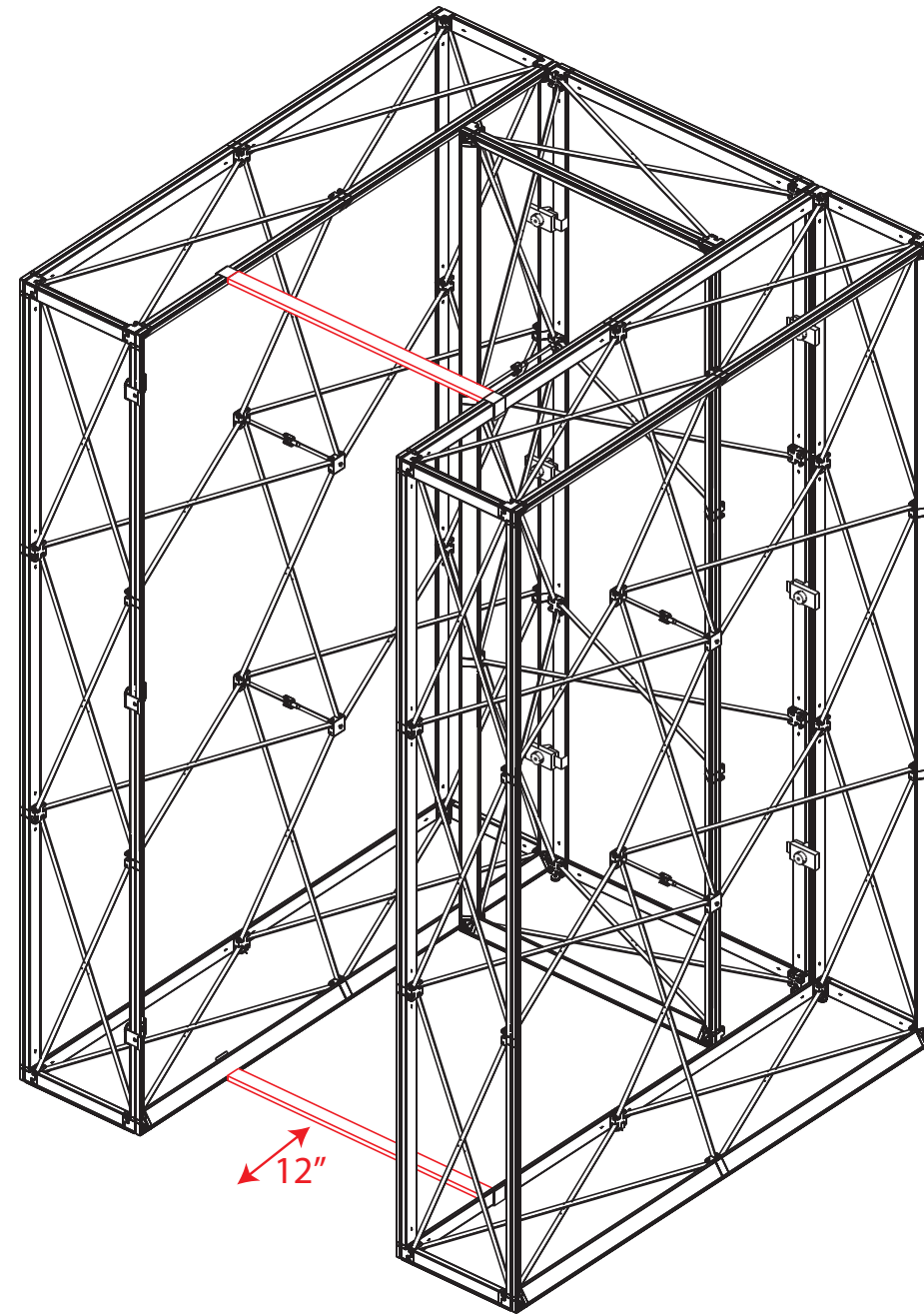
2. Snap the connector onto the frames. Make sure the hooks on both ends go around both channel bars.

3. Tighten connector by rotating the knob **COUNTER-CLOCKWISE**.



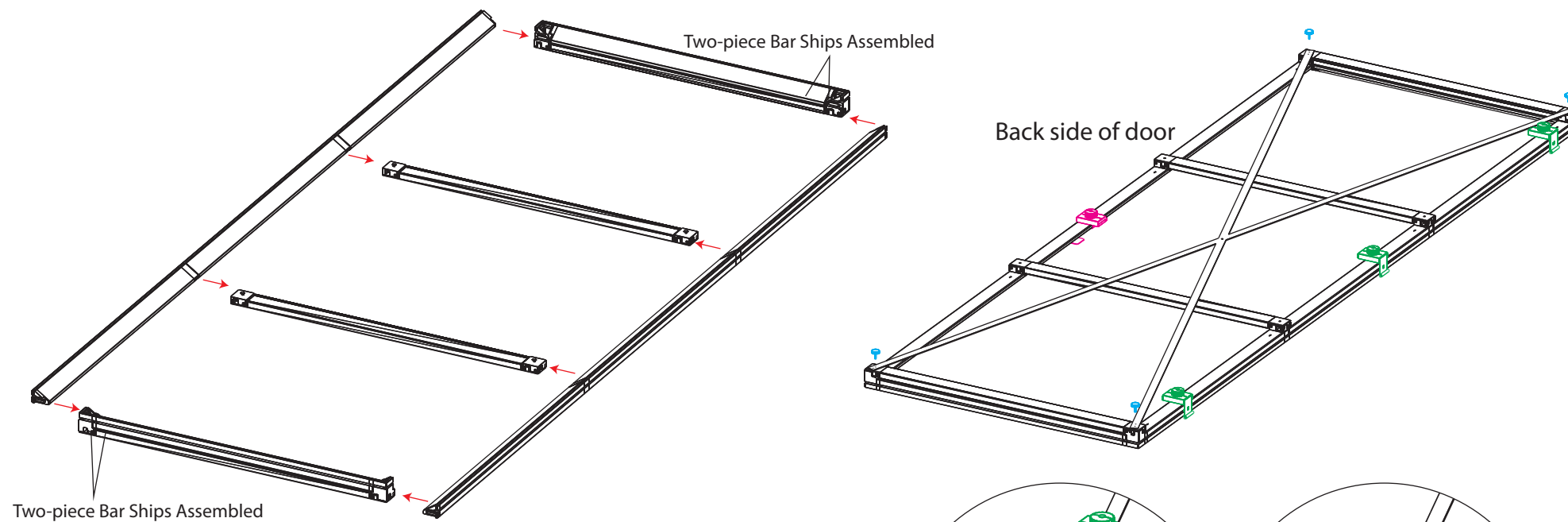
If the front frame is to be backlit, install the white backer fabric with slots, first. The locks will pass through the slots to connect the front frame to the side frame.

Right Closet Assembly - Doorway Spacers

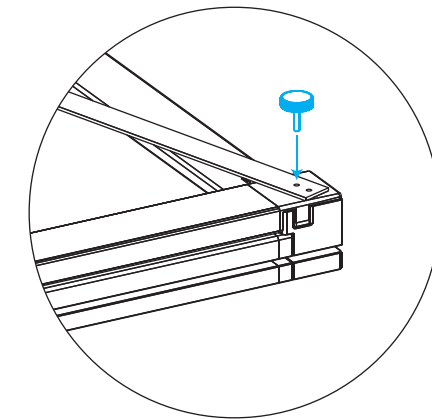


1. Attach the top and bottom doorway spacers about 12" away from the doorway.

Right Closet Assembly - Door

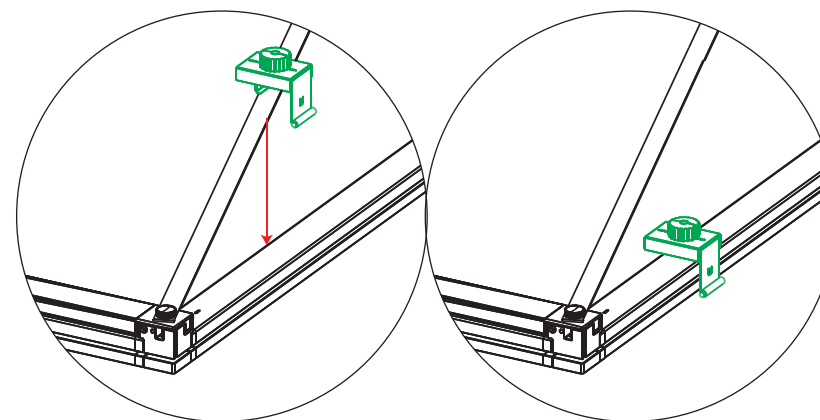


1. Assemble the door as seen above.

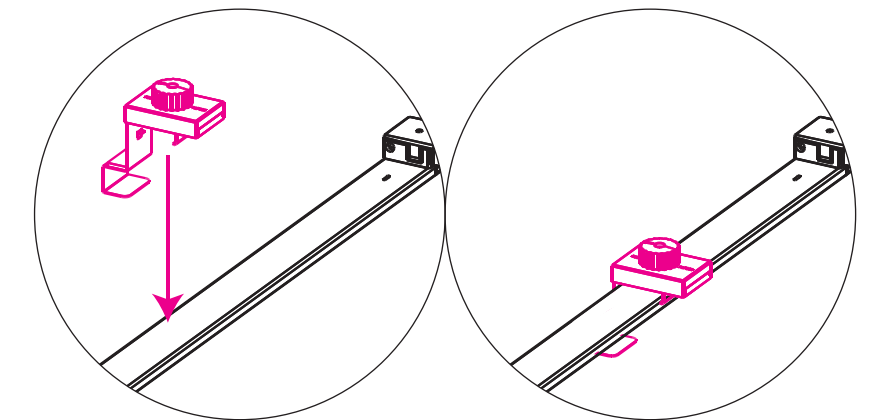


2. Attach the X strap to the four corners with four knobs. Start with the grommets (farthest from the end of the strap)

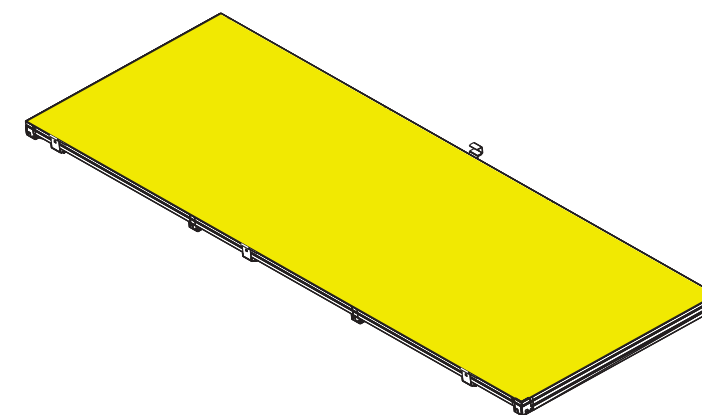
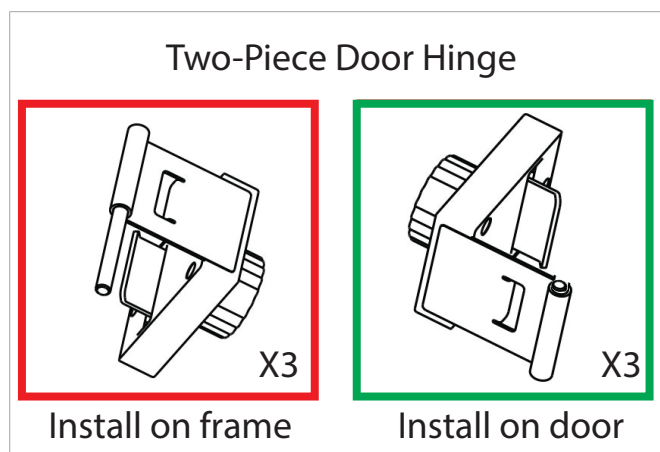
If the door starts warping when installed, loosen the strap by attaching the knobs through the grommet closest to the end.



3. Attach three door hinges with pins to one side of the door. Turn the knob COUNTERCLOCKWISE to lock in place.

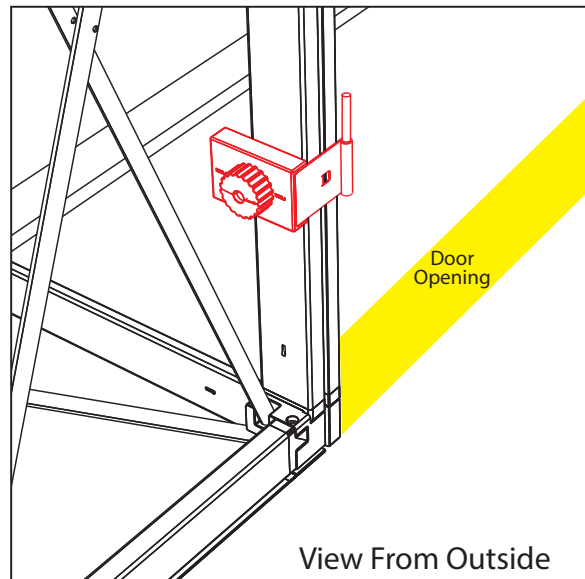


4. Attach the Door handle to the opposite side of the door. Turn the knob COUNTERCLOCKWISE to lock in place.

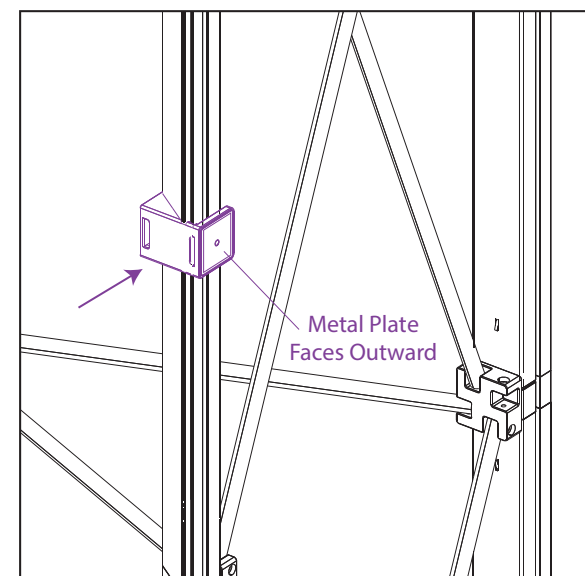


5. Flip the door over and install the graphic. See graphic installation page for more details.

Right Closet Assembly - Door Hinges & Latch



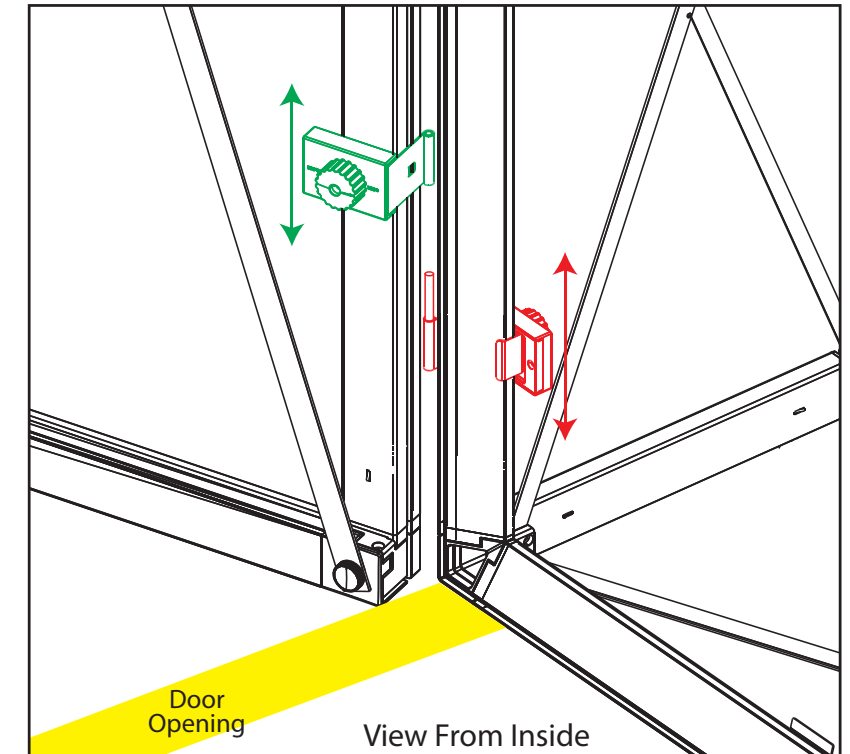
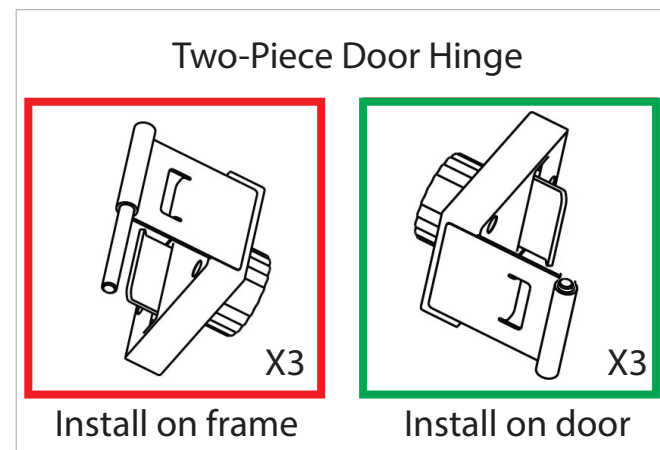
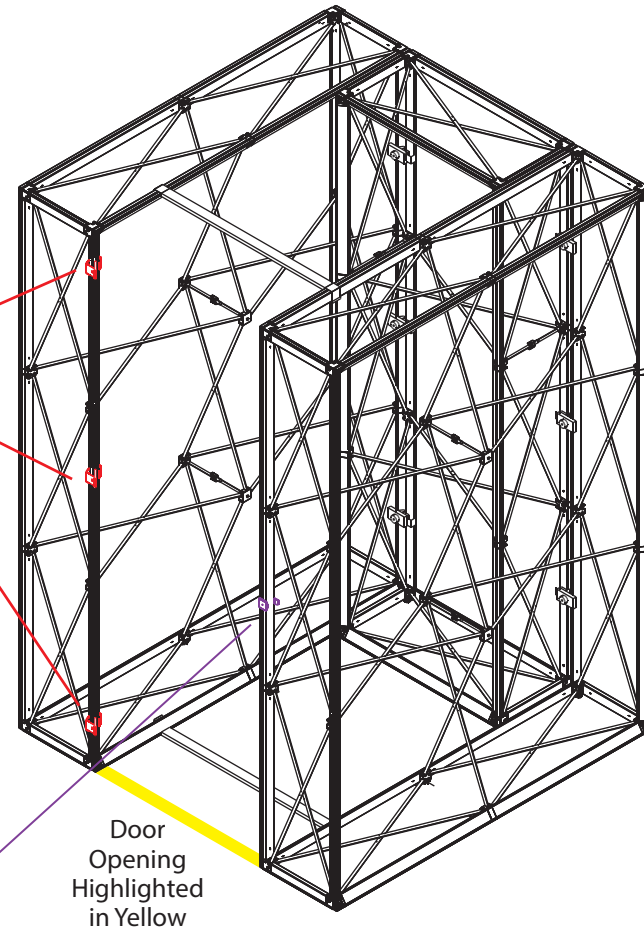
1. Attach three door hinges (with pins pointed up) to the frame on the left side of the door opening as seen above.



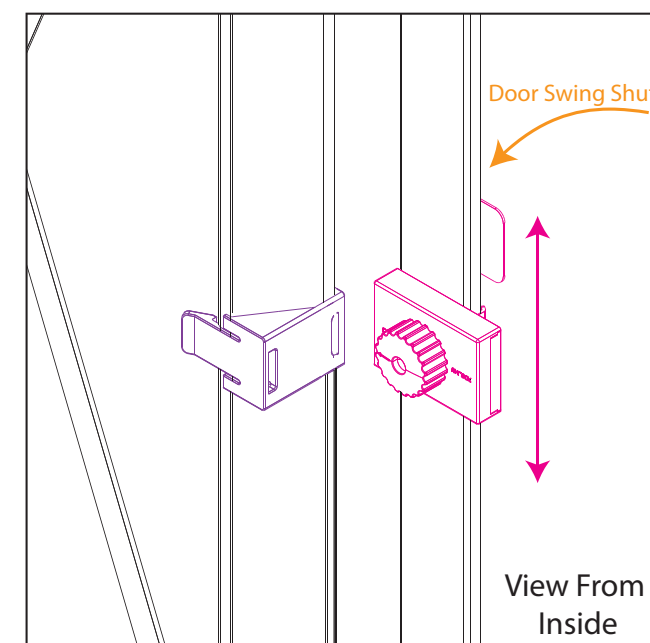
2. Attach the magnetic door latch to the right side of the door opening.

The latch will snap over endcap graphics (graphics on the end/side of the frame).

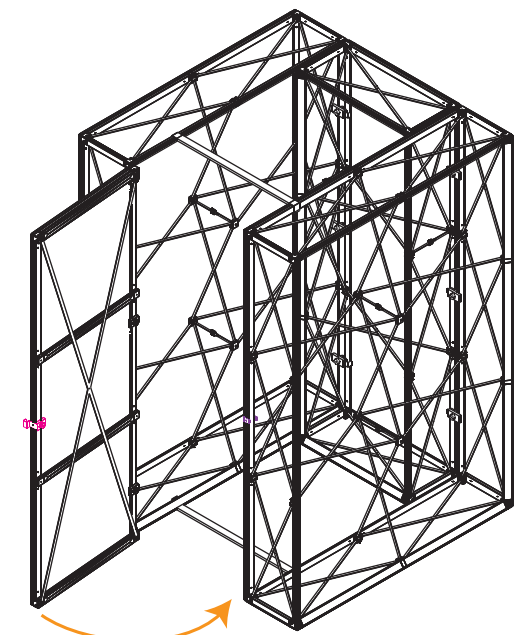
If the latch is attaching to a backlit frame, the back blocker fabric will have a notch for the door latch.



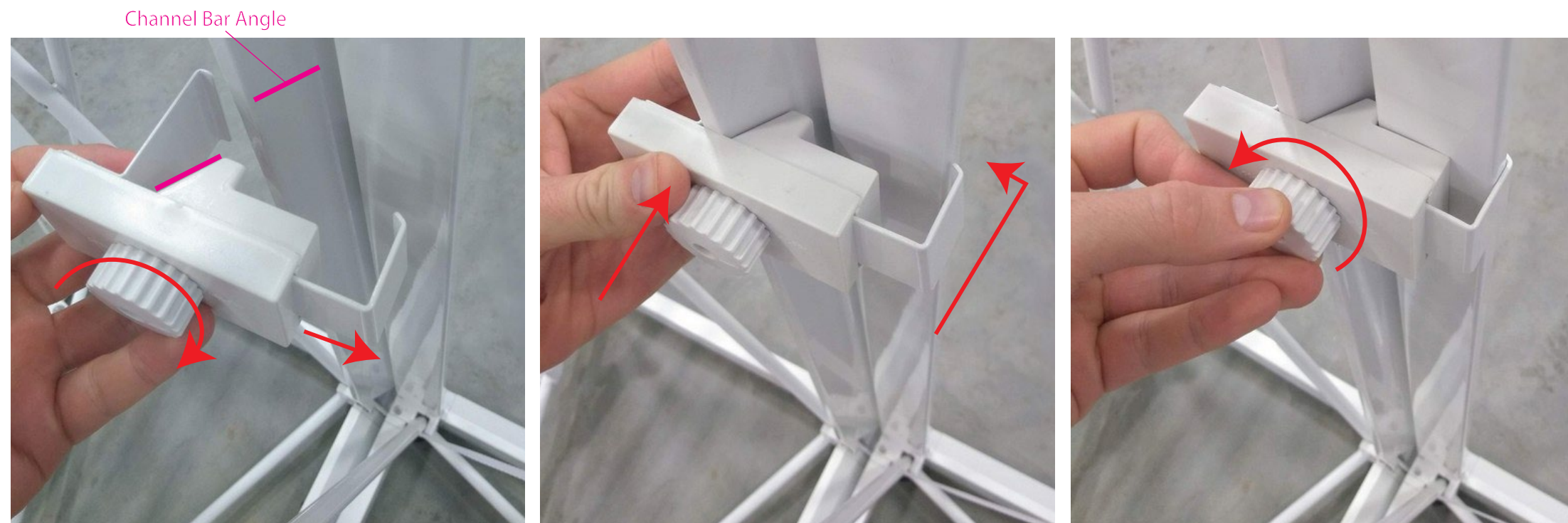
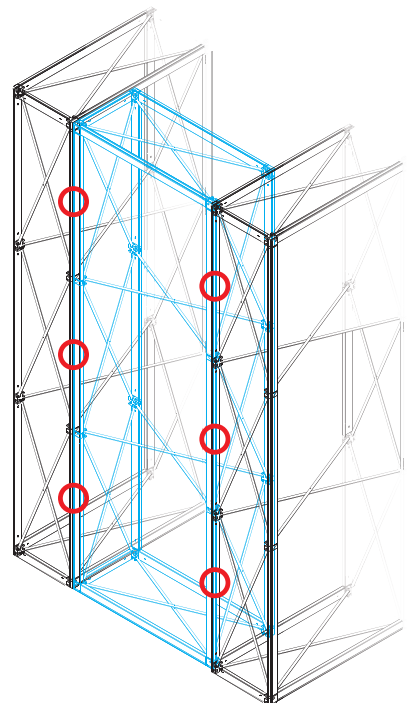
3. Hang the door.
Hinge parts can be moved up or down to more easily connect to the pins.



4. Test the swing of the door. Adjust the door handle up or down to align with the magnetic door latch on the left side of the door opening.



Left Closet Assembly - 90 Degree Corner Connectors

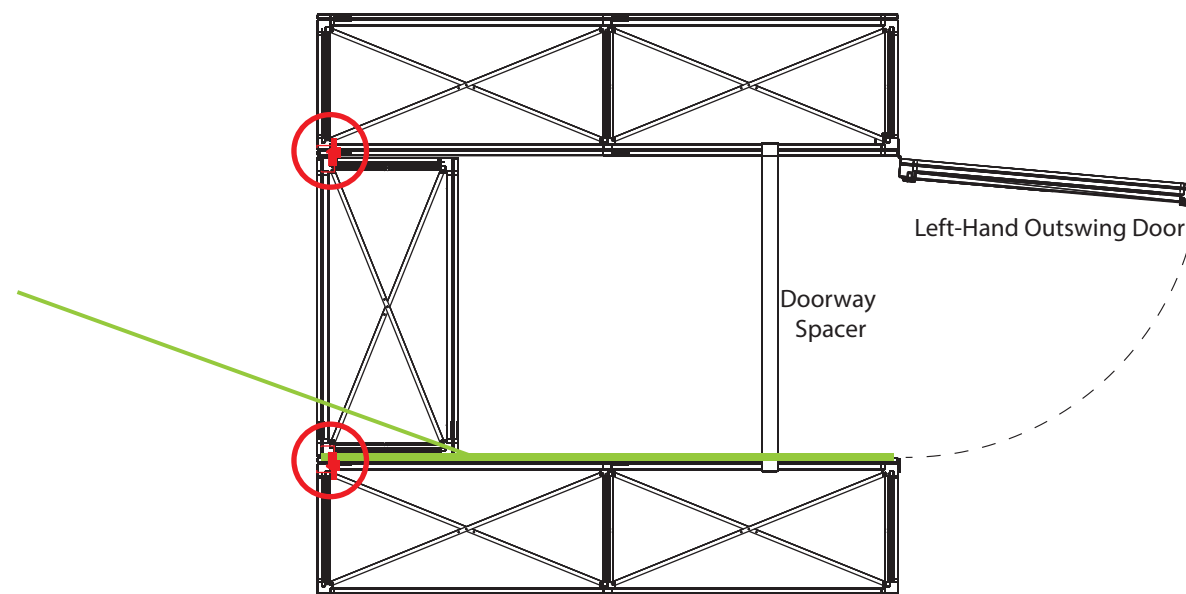


1. To connect the 90 Degree Inside Connector turn the knob **CLOCKWISE** to loosen the sliding hook. Align the angled portion with the angled side of the channel bar (see green lines)

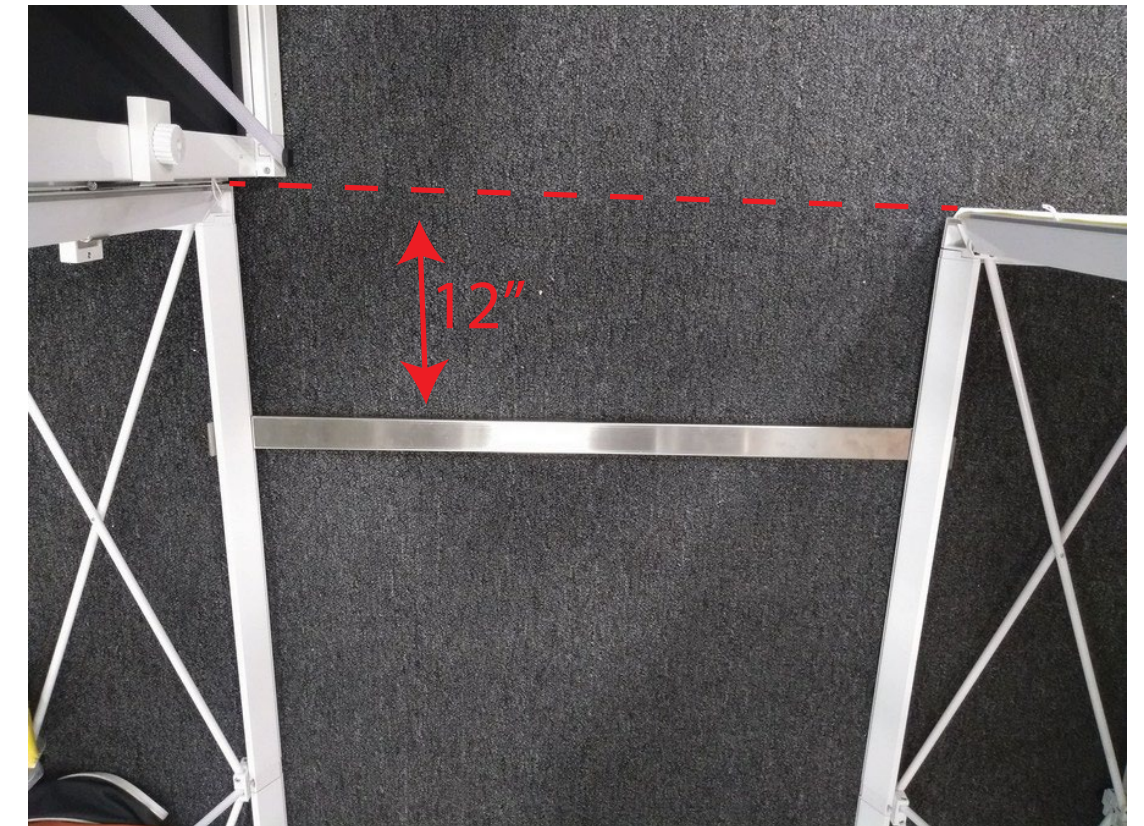
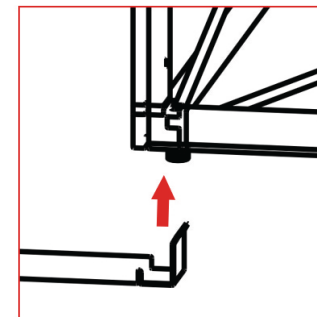
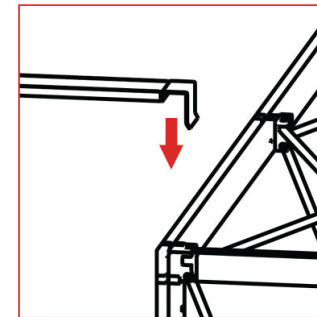
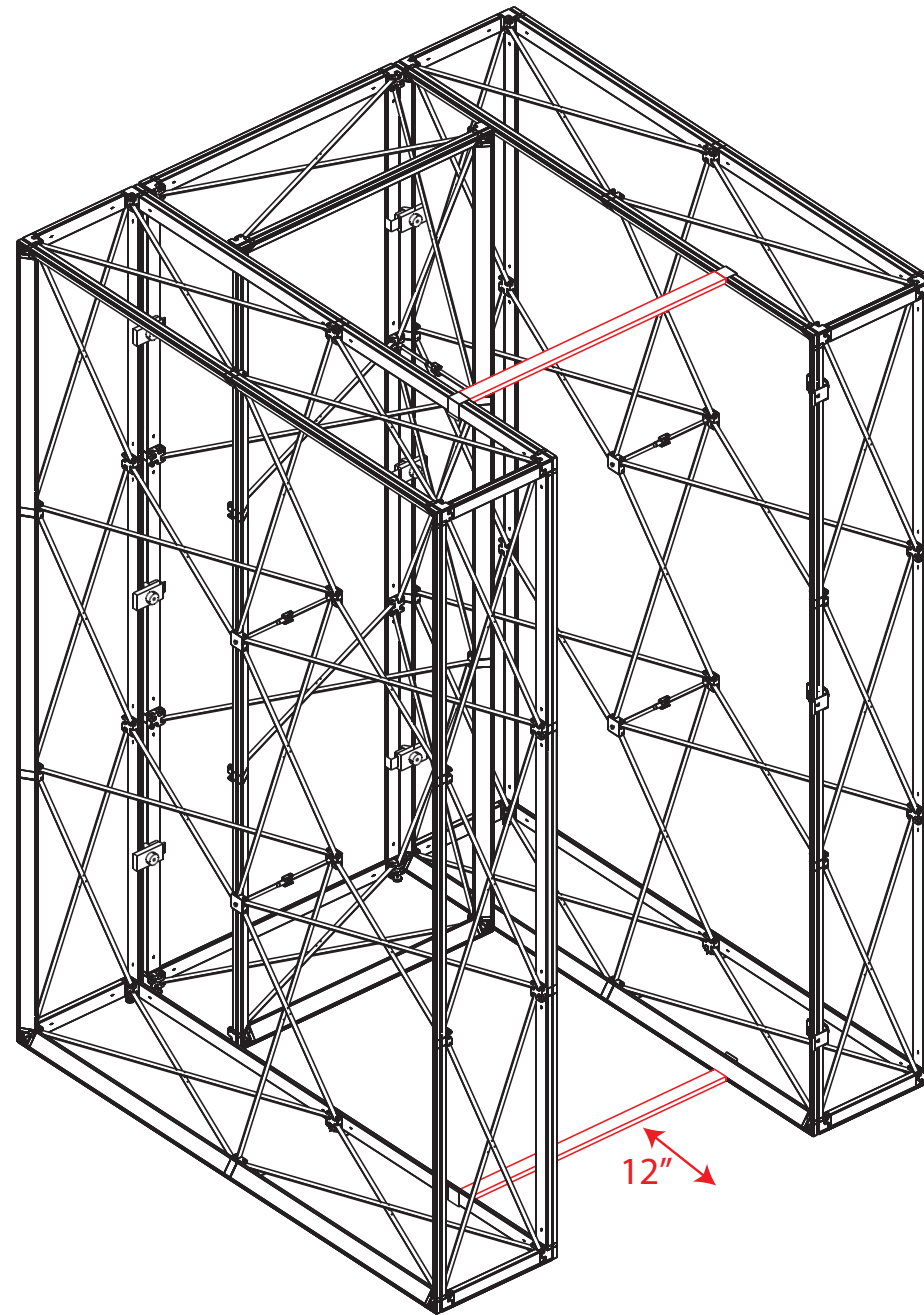
2. Snap the connector onto the frames. Make sure the hooks on both ends go around both channel bars.

3. Tighten connector by rotating the knob **COUNTER-CLOCKWISE**.

If the front frame is to be backlit, install the white backer fabric with slots, first. The locks will pass through the slots to connect the front frame to the side frame.

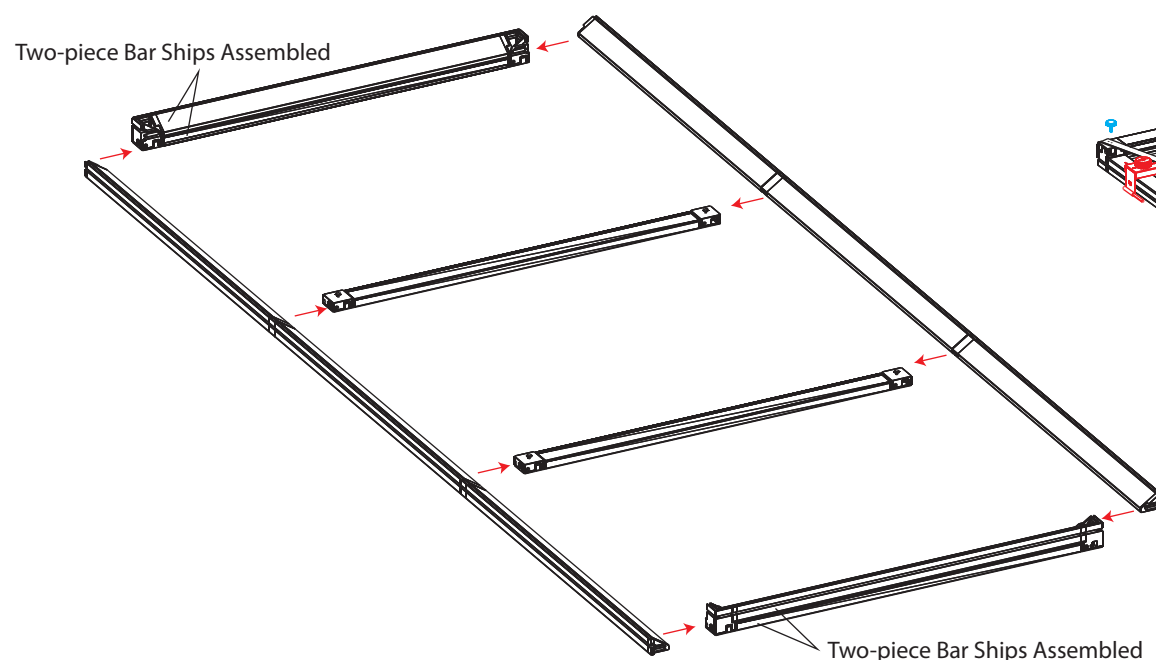


Left Closet Assembly - Doorway Spacers

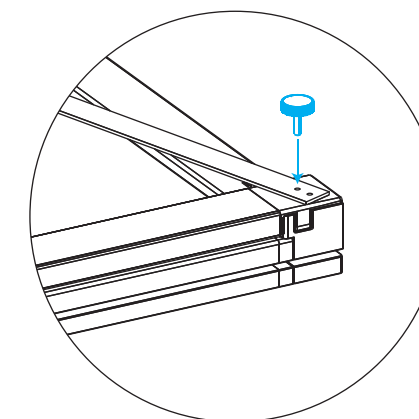
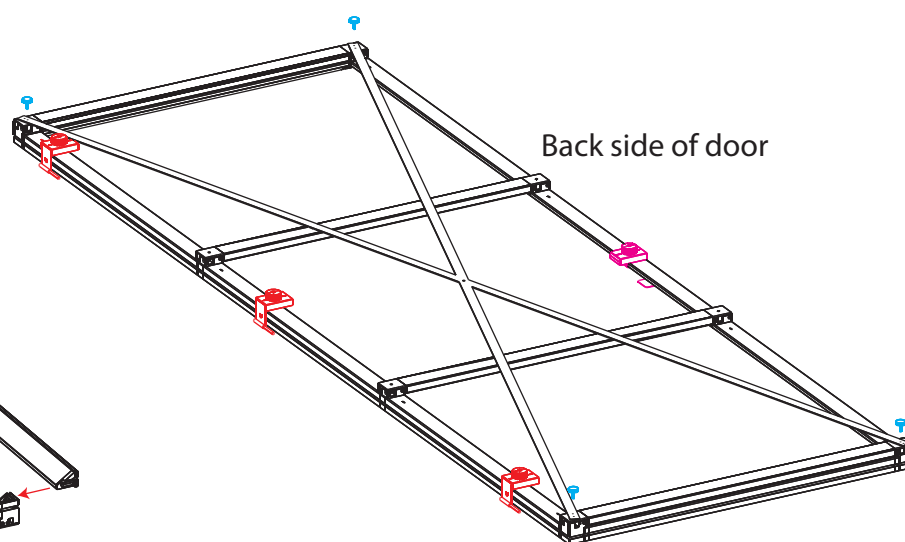


1. Attach the top and bottom doorway spacers about 12" away from the doorway.

Left Closet Assembly - Door

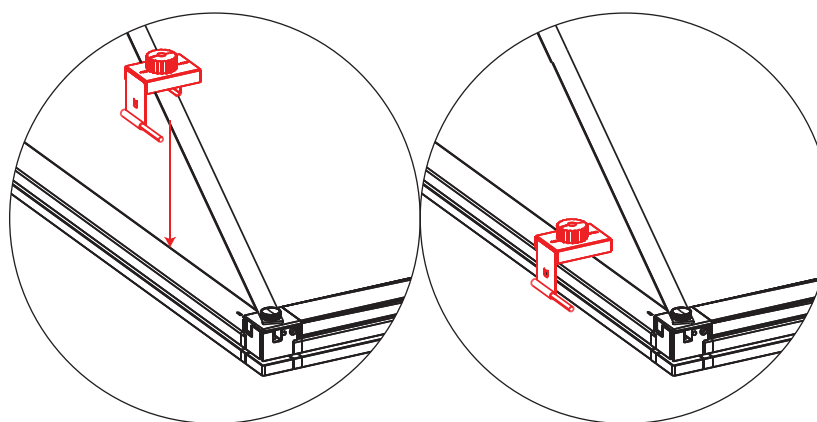


1. Assemble the door as seen above.

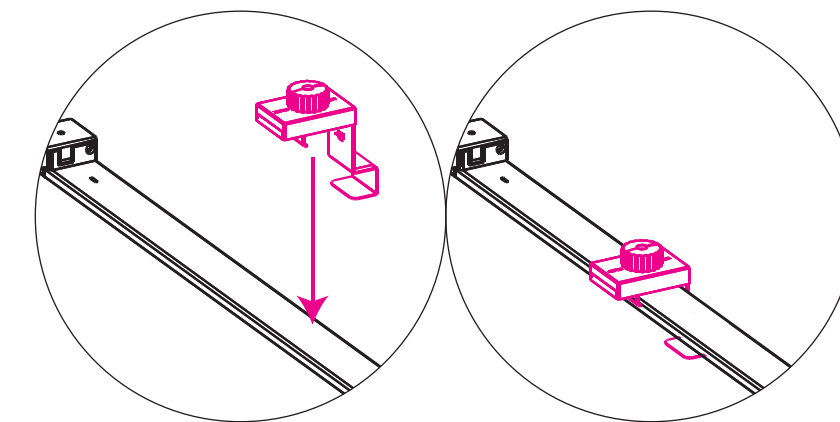


2. Attach the X strap to the four corners with four knobs.
Start with the grommets (farthest from the end of the strap)

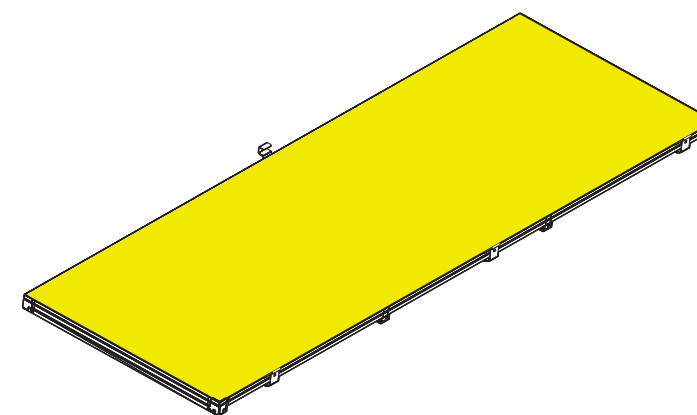
If the door starts warping when installed, loosen the strap by attaching the knobs through the grommet closest to the end.



3. Attach three door hinges with pins to one side of the door.
Turn the knob COUNTERCLOCKWISE to lock in place.

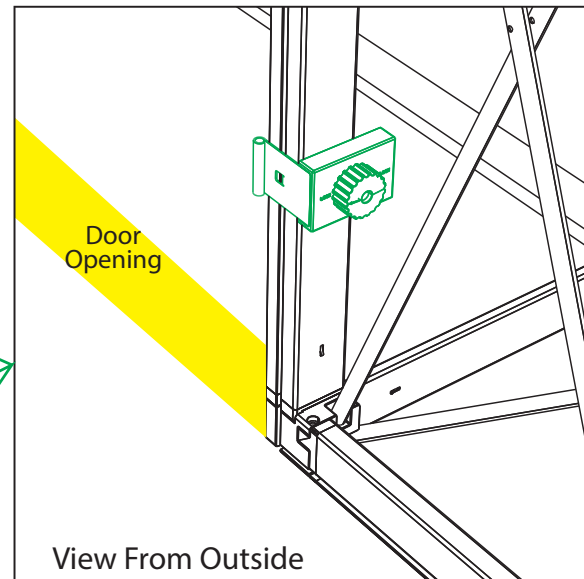
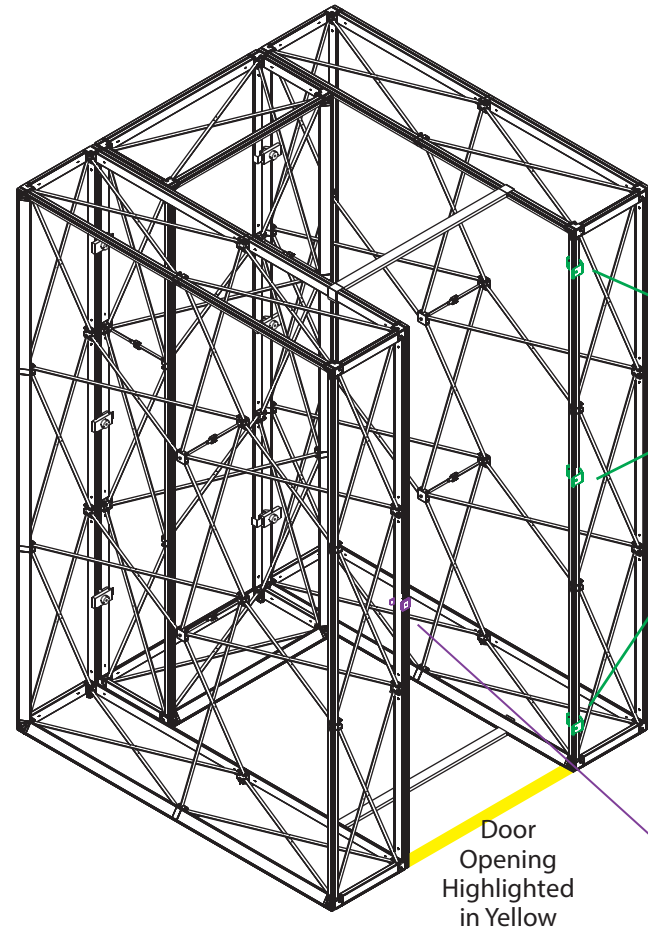


4. Attach the Door handle to the opposite side of the door.
Turn the knob COUNTERCLOCKWISE to lock in place.

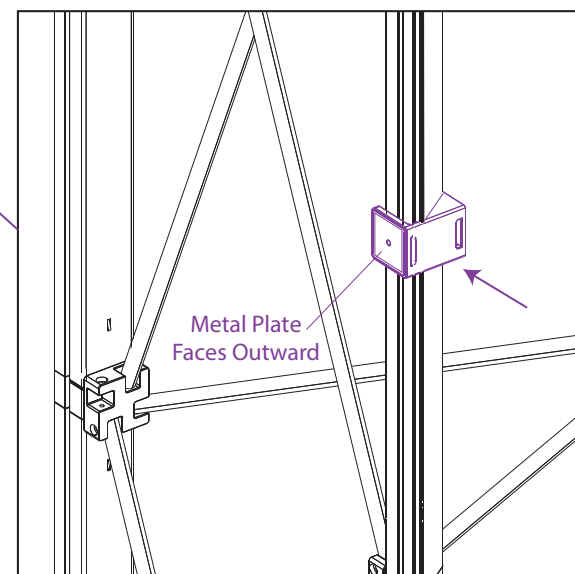


5. Flip the door over and install the graphic.
See graphic installation page for more details.

Left Closet Assembly - Door Hinges & Latch



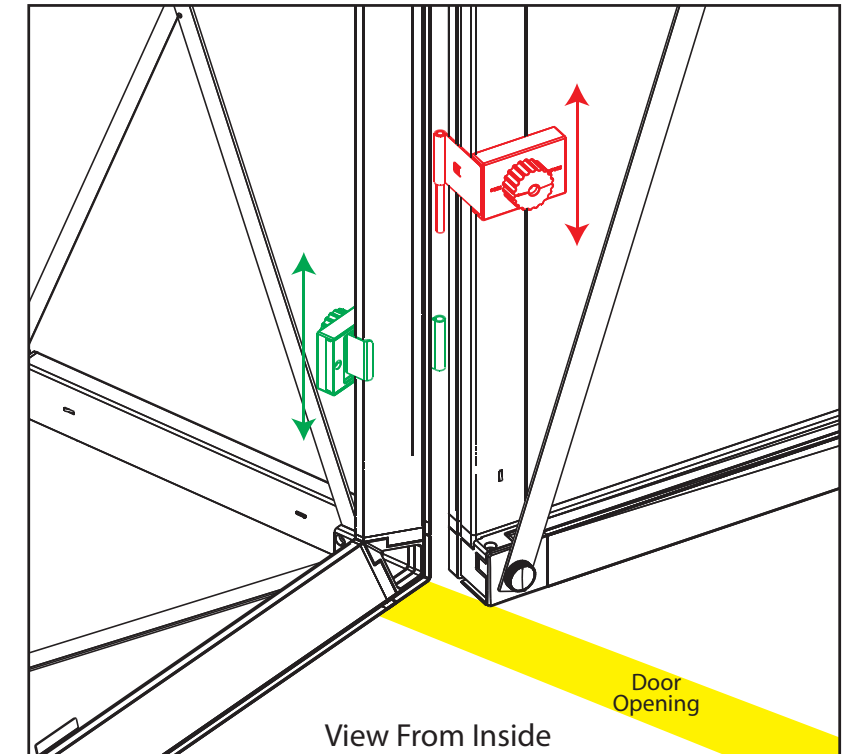
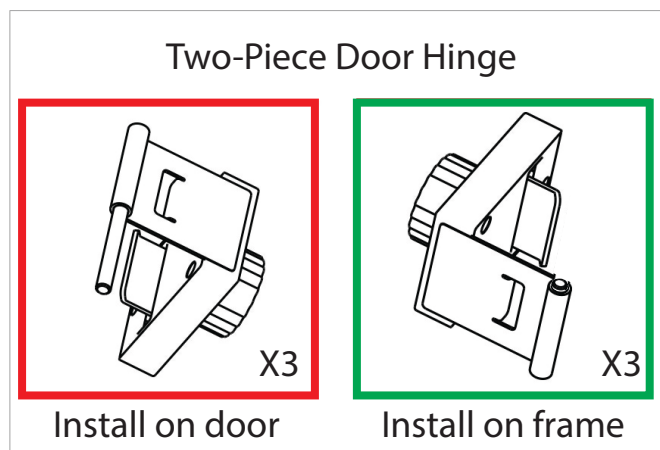
1. Attach three door hinges (without pins) to the frame on the right side of the door opening as seen above.



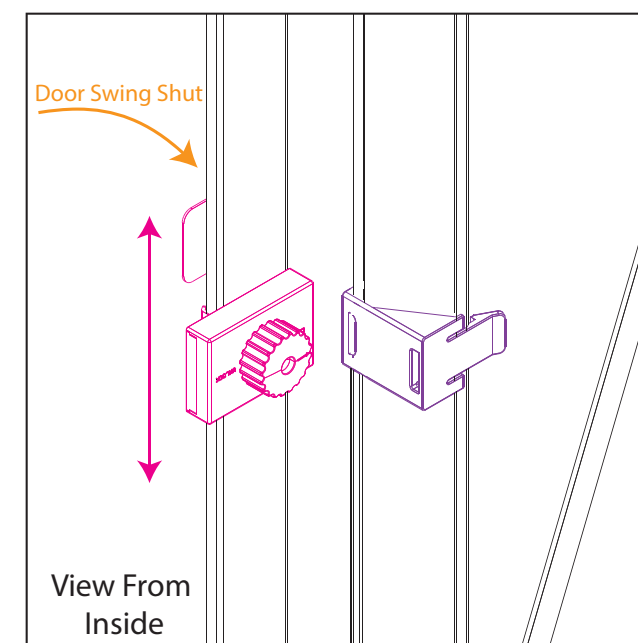
2. Attach the magnetic door latch to the left side of the door opening.

The latch will snap over endcap graphics (graphics on the end/side of the frame).

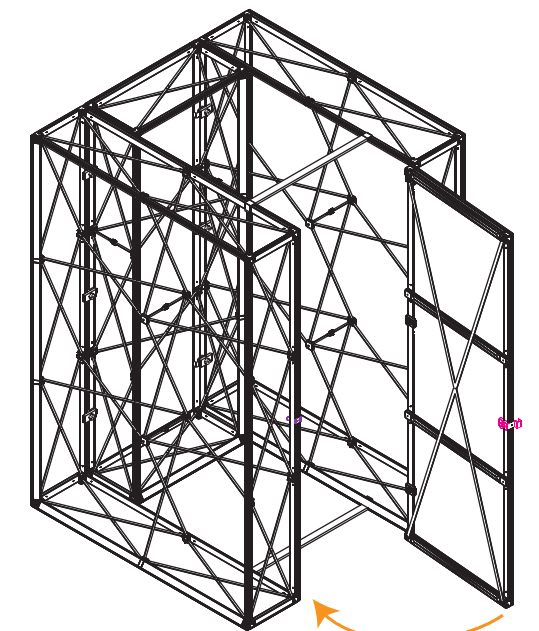
If the latch is attaching to a backlit frame, the back blocker fabric will have a notch for the door latch.



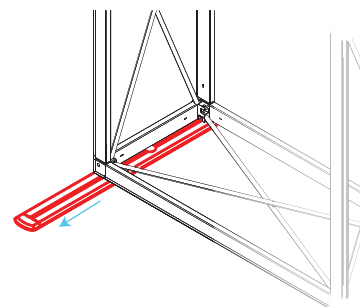
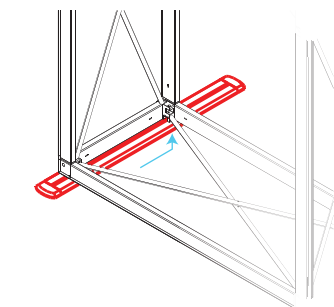
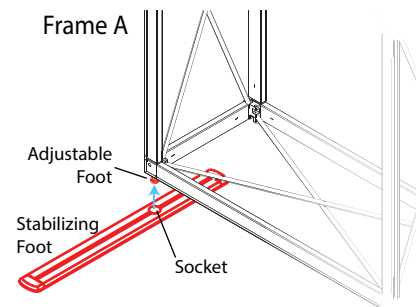
3. Hang the door.
Hinge parts can be moved up or down to more easily connect to the pins.



4. Test the swing of the door. Adjust the door handle up or down to align with the magnetic door latch on the left side of the door opening.



Stabilizing Foot Instructions



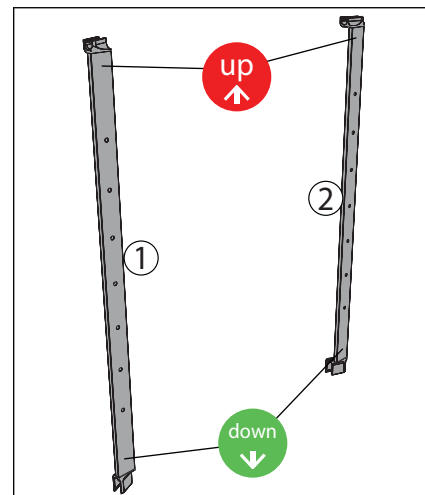
1. Slide the socket of the stabilizing foot over the front adjustable foot of the frame.

2. Slide the stabilizing foot back and slide the same socket over the back adjustable foot.

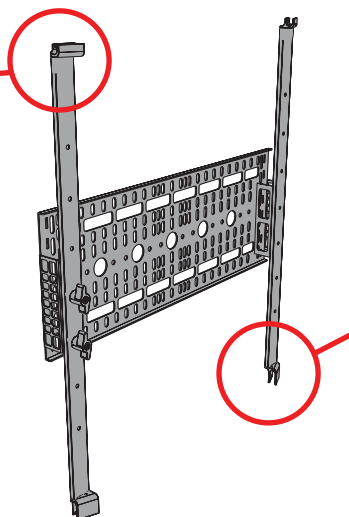
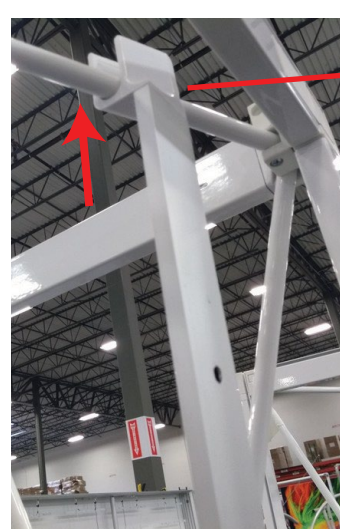
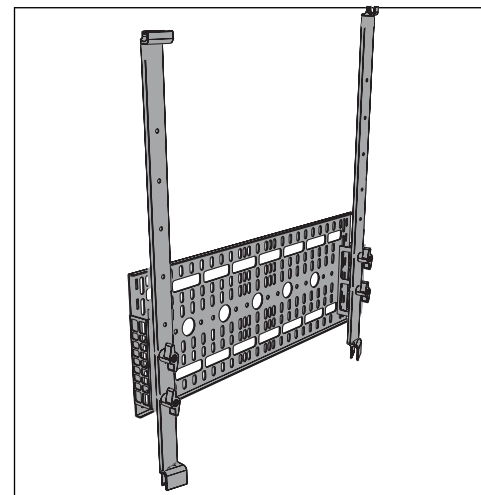
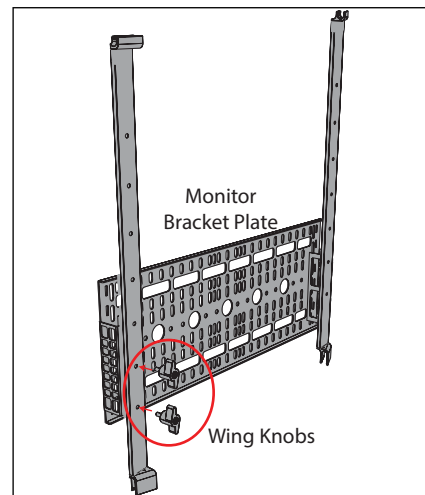
3. Slide the stabilizing foot forward.

Two stabilizing feet are required below each monitor mount.

Monitor Bracket Assembly



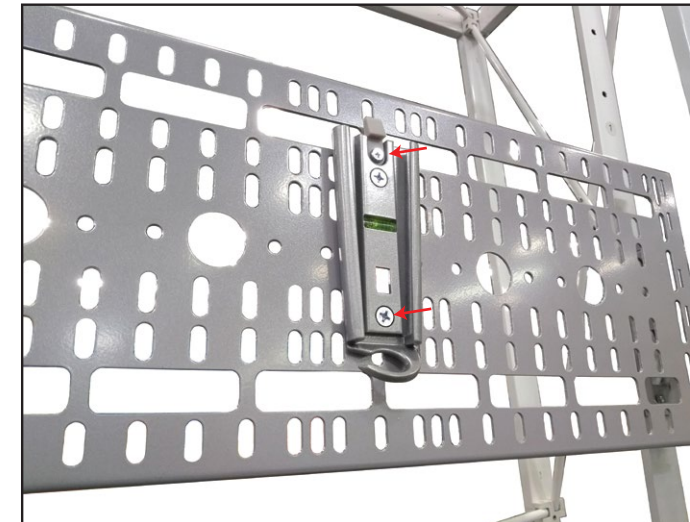
1. Attach the monitor bracket plate to the two vertical pieces with four wing knobs. The wing knobs will go through the bottom two mounting holes in the vertical pieces. Note the up and down arrows on the vertical pieces.



2. To hang the monitor bracket plate onto the frame, slide the upper u-channels over the top cross member of the frame.

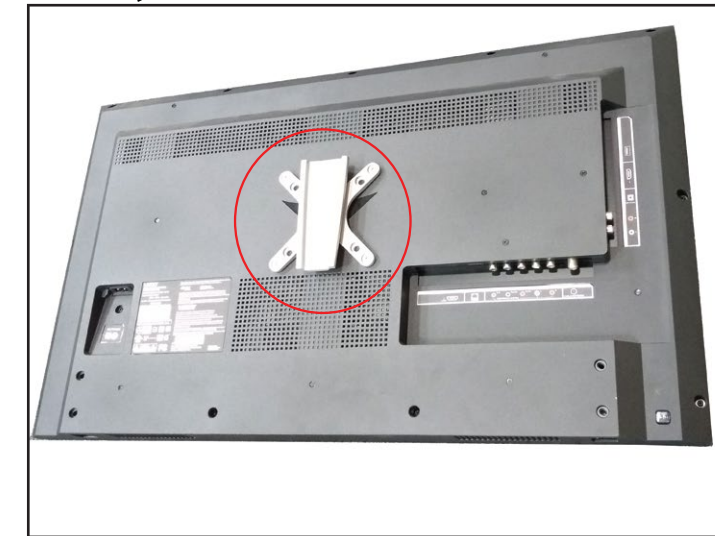
Slide it down so the lower u-channels will rest on the cross members below.

Monitor Bracket Assembly Continued

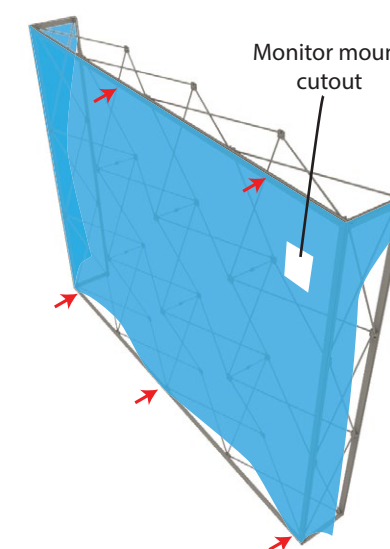


3. Attach the smaller monitor bracket back plate onto the monitor bracket plate as seen above using the provided screws and wing-nuts.

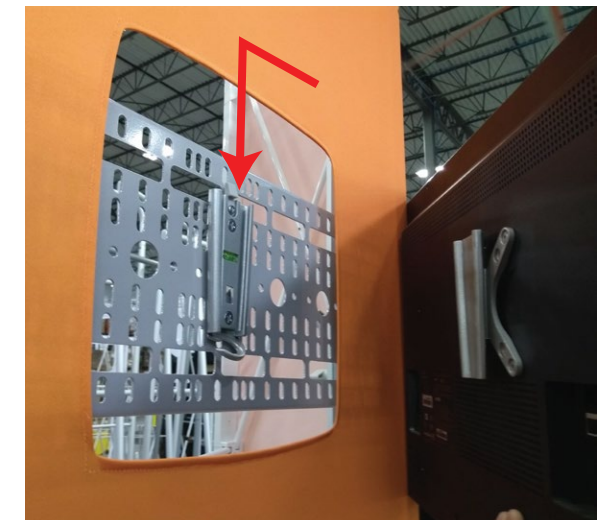
Note: The back plate can be mounted anywhere along the plate to align with the cutout in the graphic.



4. Attach the X-shaped monitor mount to the television using the appropriate screws for the television. The bracket is compatible with VESA 75 (inner mounting holes) and VESA 100 (outer mounting holes).



5. Install the graphic making sure the monitor cutout aligns with the monitor mount. See graphic installation instructions for detailed instructions.



6. Hang the monitor onto the monitor bracket as seen above. The monitor wires can be passed through the cutout in the frame.

Graphic Installation Instructions



Caution! Installing silicone-edged graphics is technique sensitive; Practice will shorten installation time.



Handle graphics with care with clean hands in a clean environment. Clean cloth or latex gloves are recommended.

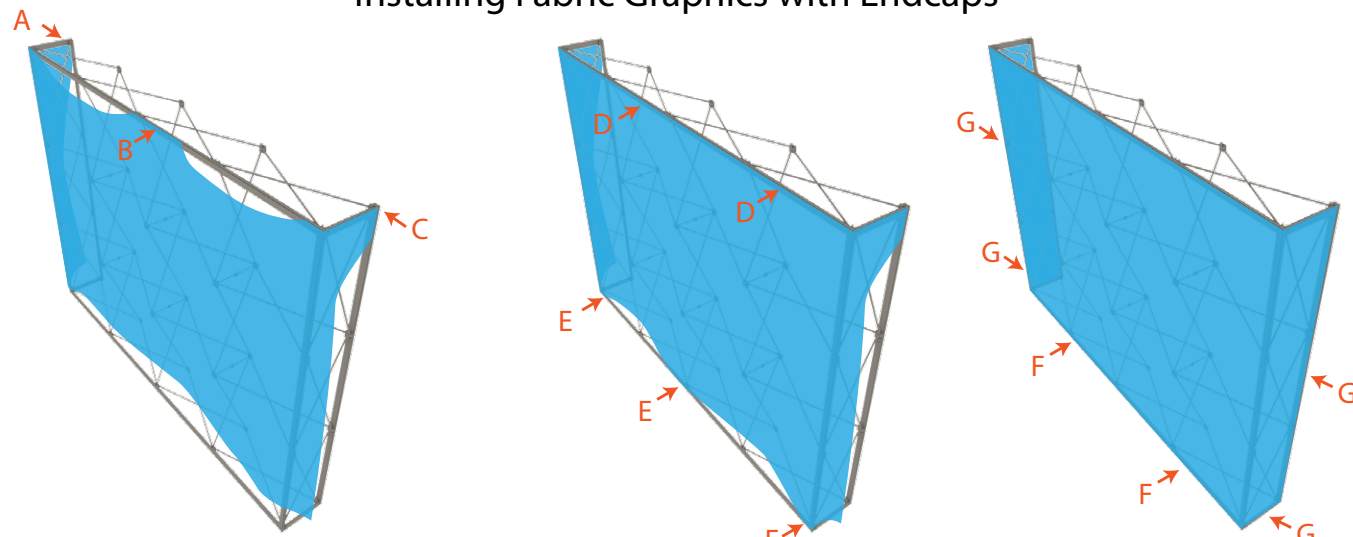


How to Install SEG Graphics:
Turn and tuck the side of the graphic with the silicone welt into the SEG groove. The stitched edge goes into the groove first.



Pulling on the silicone welt during installation stretches the silicone and creates a bulge in the silicone welt that is difficult to correct smoothly. A series of tucks reduces excess silicone.

Installing Fabric Graphics with Endcaps

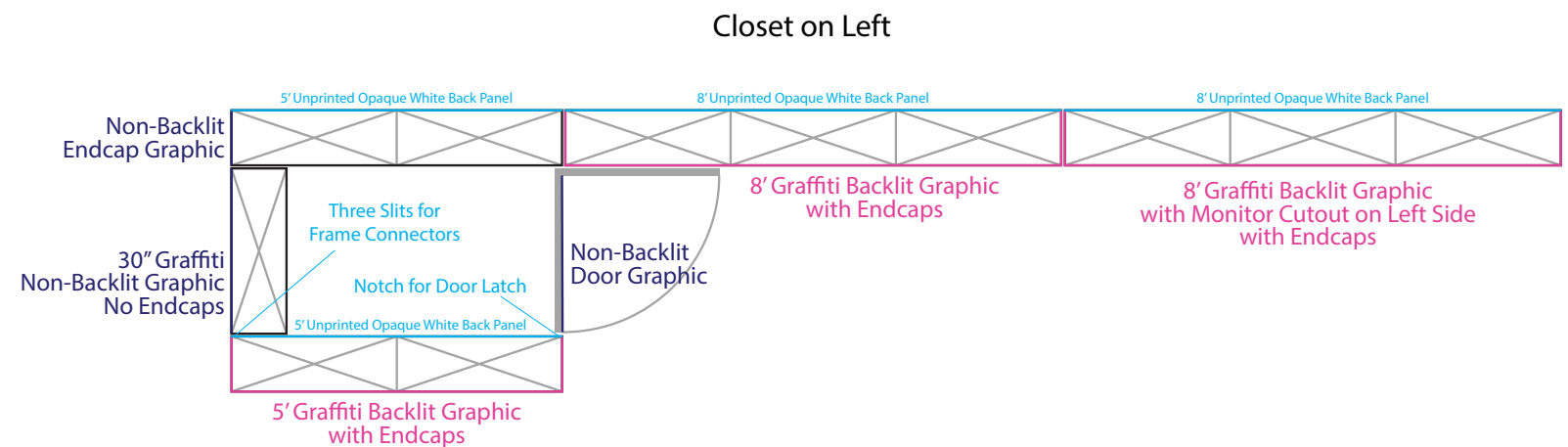
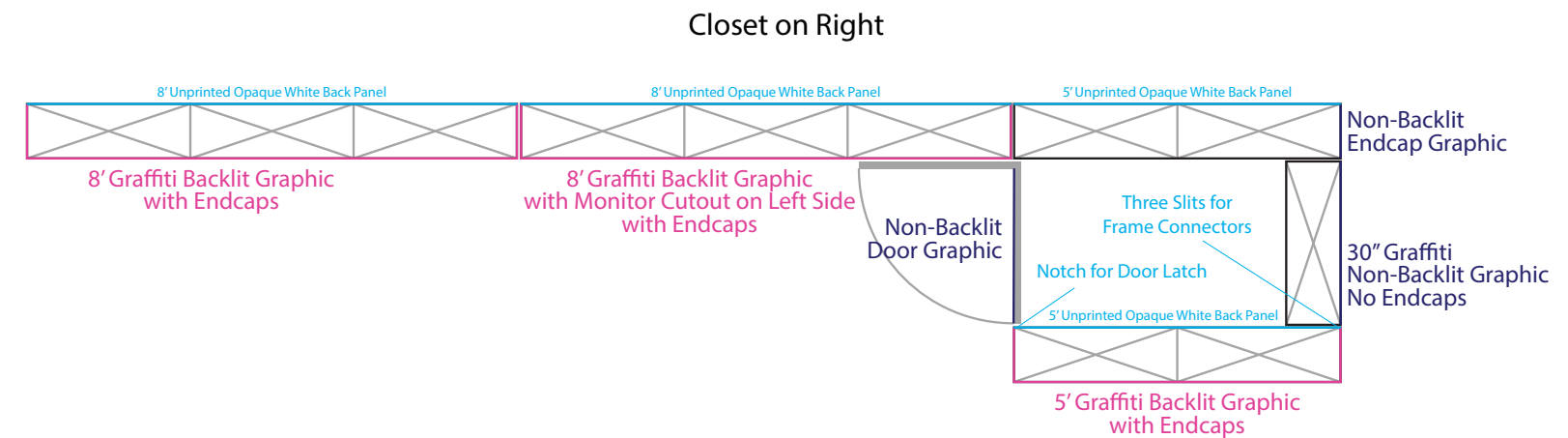


A. Tuck the graphic into left/upper endcap SEG channel and partially down the vertical channel bar.
B. Holding the graphic off of the ground, tuck the center of the graphic on the front of the frame.
C. Tuck the graphic into the right endcap.

D. Complete installation of the top edge of the graphic.
E. Tuck the bottom/front corners and the middle of the bottom/front.

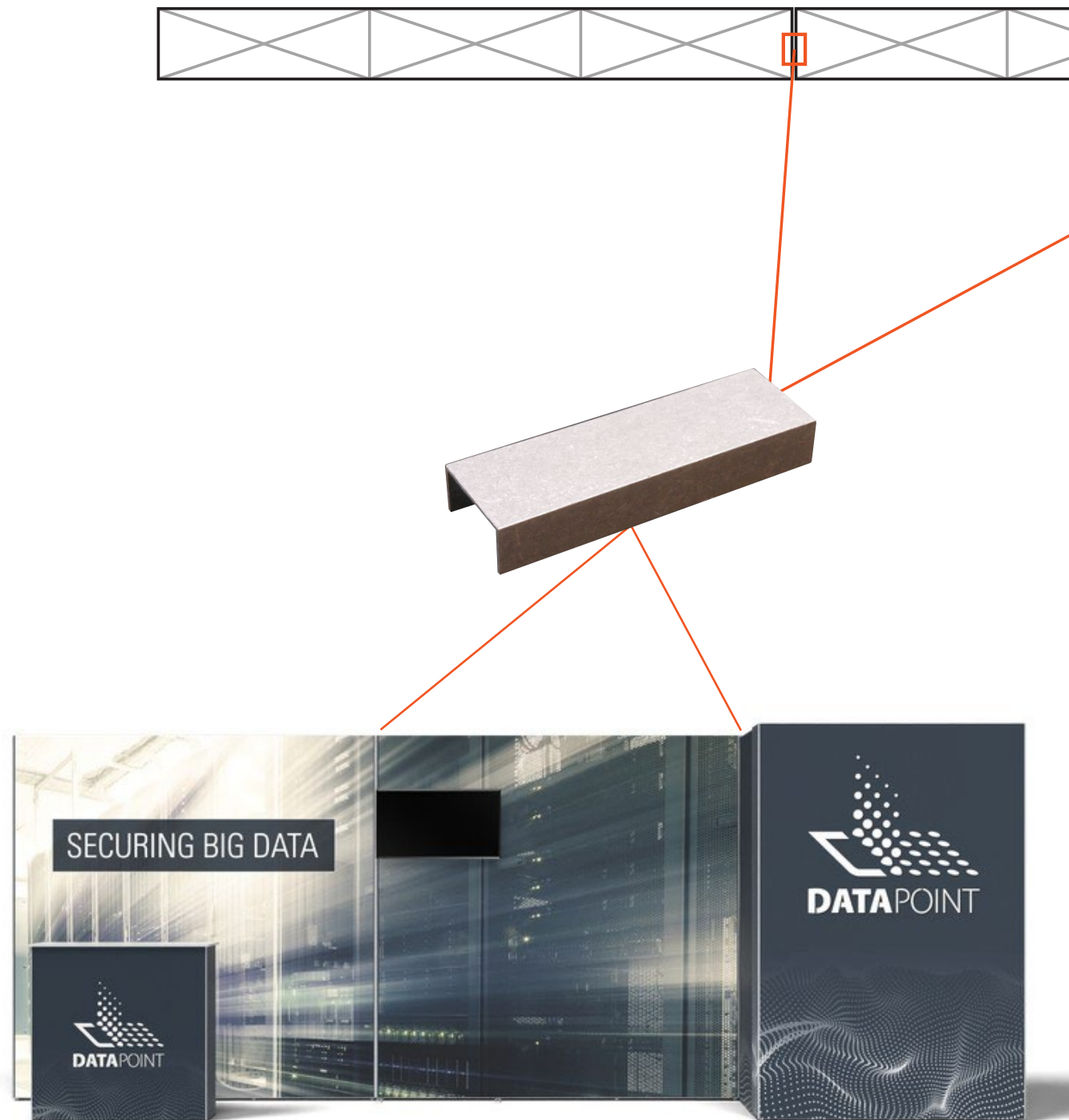
F. Complete installation on the bottom/front.
G. Complete installation of both endcaps.

Graphics and Blocker Locations



Color Key	
—	Backlit Graphic
—	Non-Backlit Graphic
—	Opaque White Light Blocker

In-line/Staggered U-Connector



U - Connector

- U-connectors are used to connect two frames in an inline or staggered arrangement.
1. Install graphics onto both frames (see graphic installation instructions).
 2. Push the frames together. Make sure the tops of the frames are level using the adjustable feet.
 3. Slide the u-connector over the endcap channelbars of both frames after the graphics are installed.

