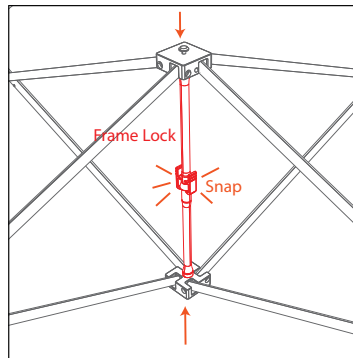
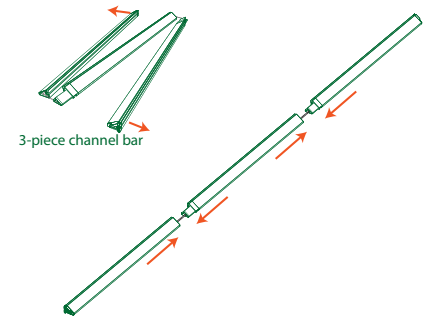


1. Set the frame standing on end. Grasp two of the middle hubs (circled in orange) and gently expand the frame. Note the location of the adjustable feet for future reference.



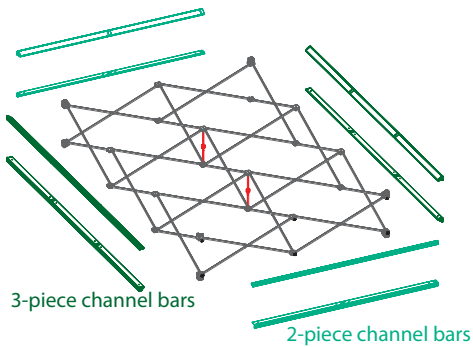
2. Snap all frame locks (marked in red in the diagrams below) to secure the frame.

It is recommended to assemble the frame with it laying on its back.

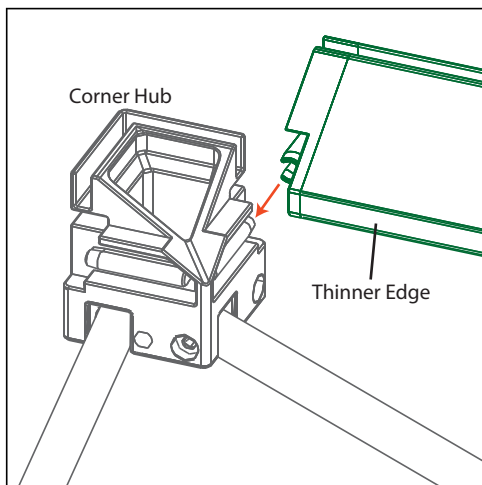
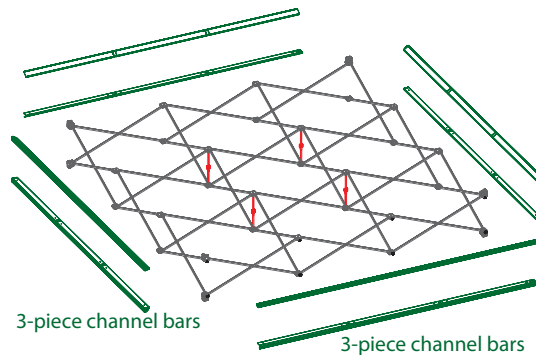


3. Unfold and slip together each bungeed channel bar.

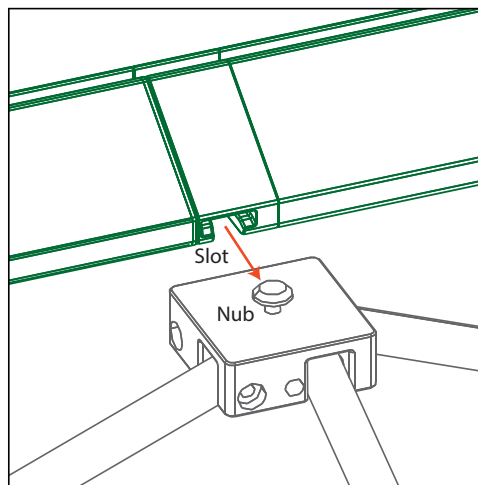
5 Foot Frame (Qty 1)



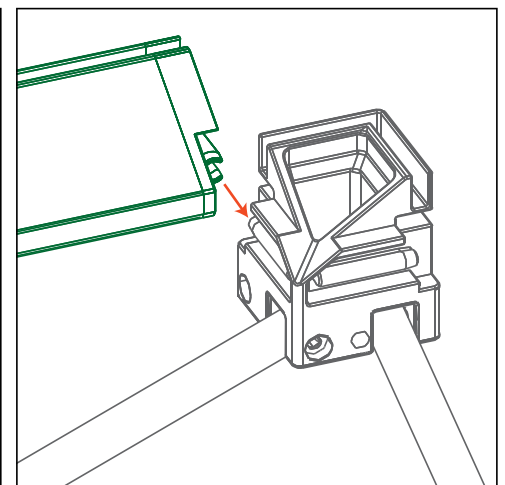
8 Foot Frame (Qty 2)



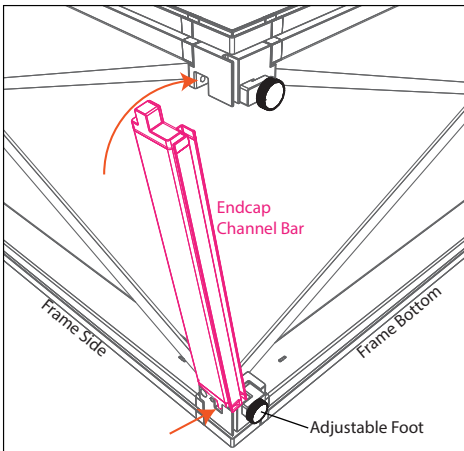
4A. Slide one end of the first channel bar onto the connection point of one of the corner hubs. The triangular channel bar's thinner edge goes toward the inside of the frame.



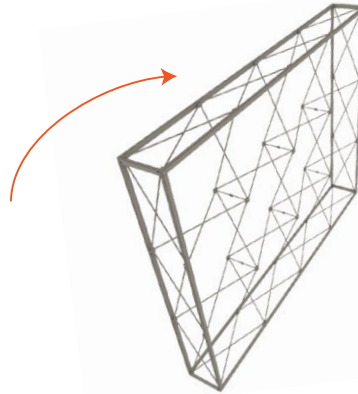
4B. Snap the slots in the back of the channel bar onto the nubs on the hubs.



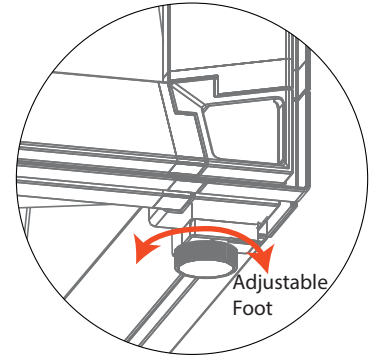
4C. Attach the other end of the channel bar to the other corner hub. Repeat steps 4A-4C for all channel bars as seen in the diagrams above.



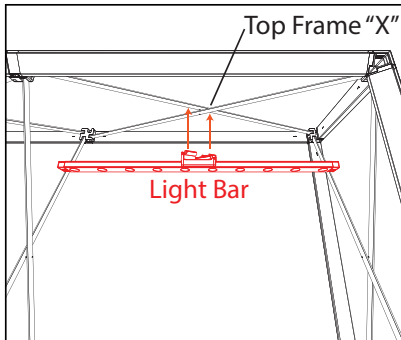
5. Snap four endcap channel bars onto the sides of the frame.



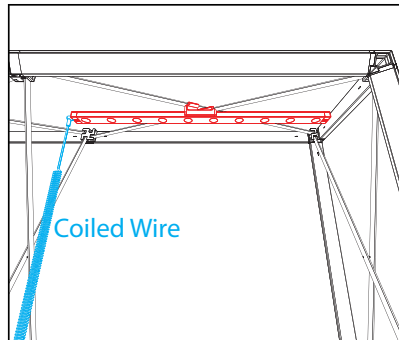
6. Carefully stand the frame up with the adjustable feet on the floor.
Note: This may require two people.



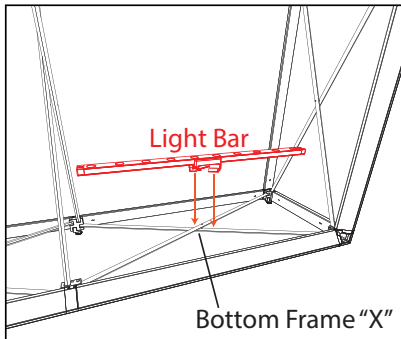
7. If the frame is on an uneven floor or if it leans, adjust the bottom feet.



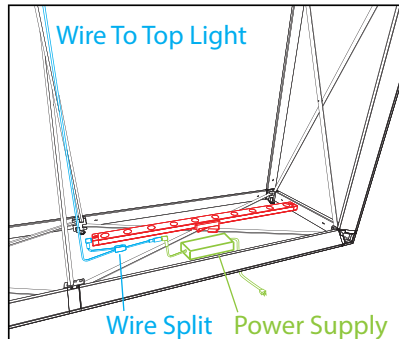
8. Snap a light bar onto the center of the "X" located at the top of the frame.



9. Connect the coiled end of the wire to the light bar.

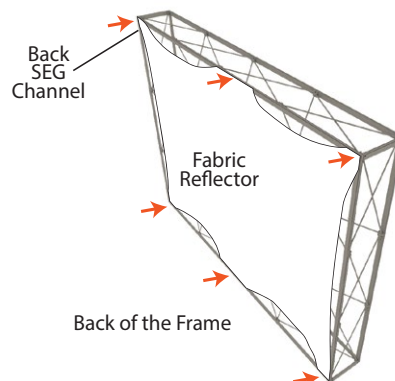
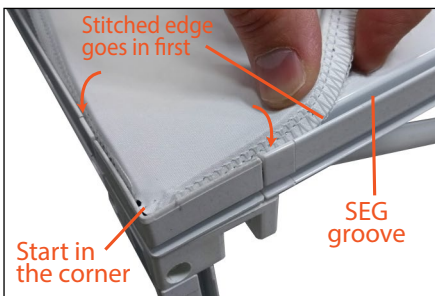


10. Snap another light bar onto the center of the "X" located at the bottom of the frame.

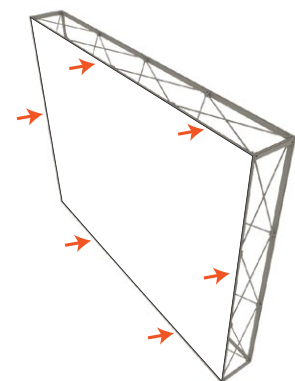


11A. Connect the male end of wire split to the light bar.
11B. Connect the power supply to the female end of the wire split. Plug in the power supply to test.

12. Repeat steps 8-11 to install a light bar onto each "X" on the top and bottom of the frame.

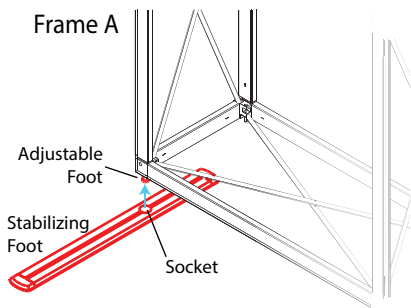


13A. Install the back fabric reflector. Begin by tucking the corners and midway across the top and bottom. The stitched edge of the silicone goes into the SEG channel first.

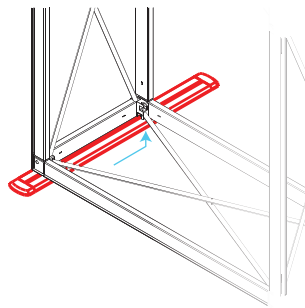


13B. Complete installation of the fabric.

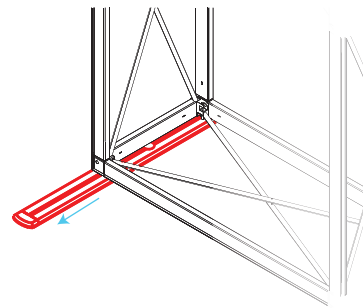
Stabilizing Foot Instructions



1. Slide the socket of the stabilizing foot over the front adjustable foot of the frame.



2. Slide the stabilizing foot back and slide the same socket over the back adjustable foot.



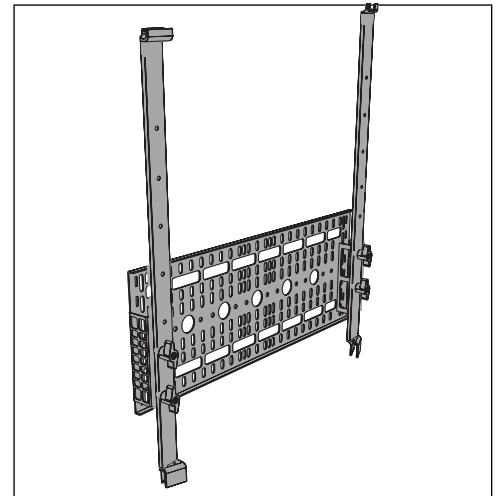
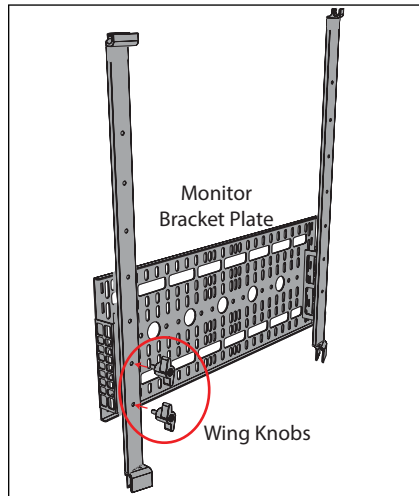
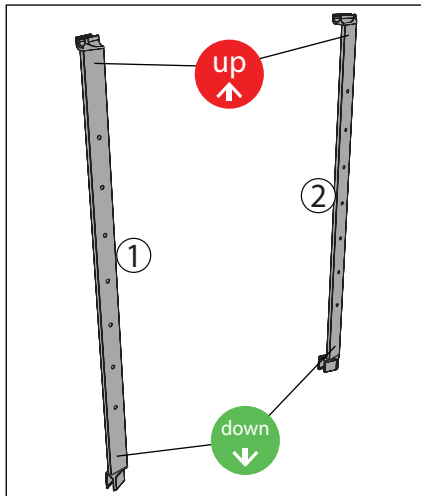
3. Slide the stabilizing foot forward.

30 inch frame shown

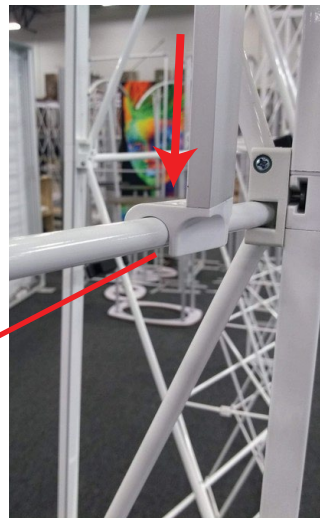
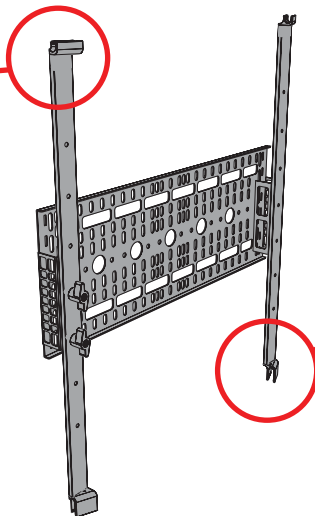


Two stabilizing feet are required below each monitor mount.

Monitor Bracket Assembly



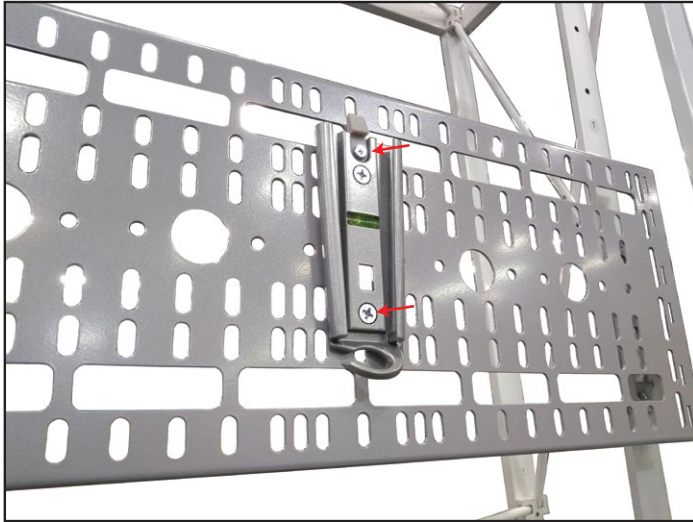
1. Attach the monitor bracket plate to the two vertical pieces with four wing knobs. The wing knobs will go through the bottom two mounting holes in the vertical pieces. Note the up and down arrows on the vertical pieces.



2. To hang the monitor bracket plate onto the frame, slide the upper u-channels over the top cross member of the frame.

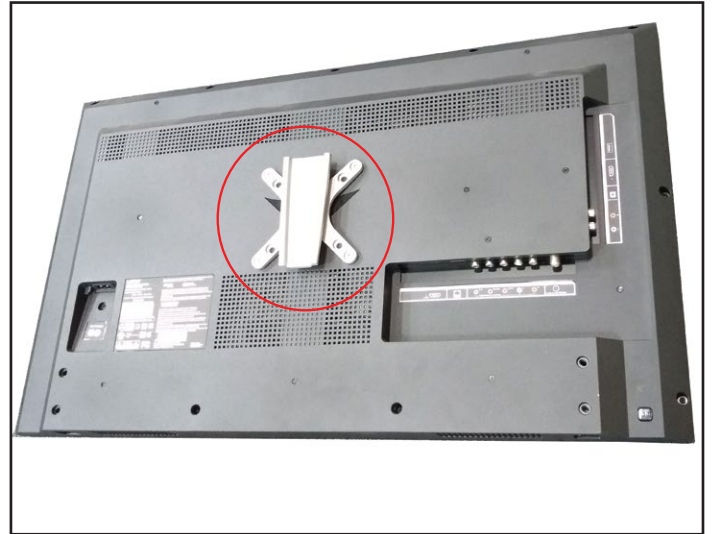
Slide it down so the lower u-channels will rest on the cross members below.

Monitor Bracket Assembly Continued

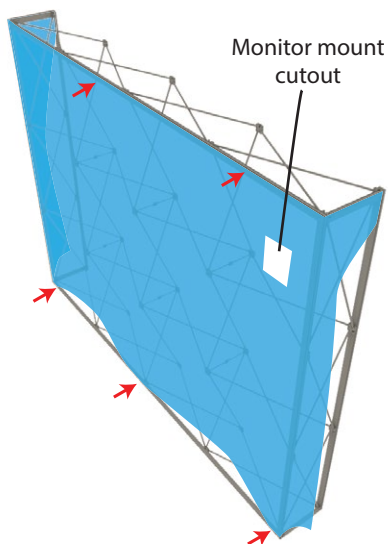


3. Attach the smaller monitor bracket back plate onto the monitor bracket plate as seen above using the provided screws and wing-nuts.

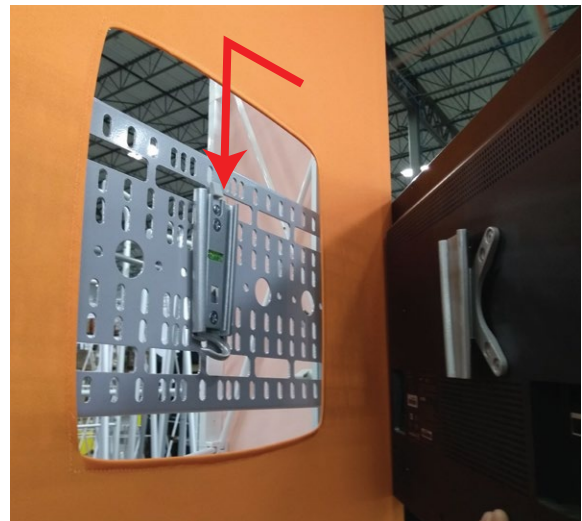
Note: The back plate can be mounted anywhere along the plate to align with the cutout in the graphic.



4. Attach the X-shaped monitor mount to the television using the appropriate screws for the television. The bracket is compatible with VESA 75 (inner mounting holes) and VESA 100 (outer mounting holes).



5. Install the graphic making sure the monitor cutout aligns with the monitor mount. See graphic installation instructions for detailed instructions.



6. Hang the monitor onto the monitor bracket as seen above. The monitor wires can be passed through the cutout in the frame.

Graphic Installation Instructions



Caution! Installing silicone-edged graphics is technique sensitive; Practice will shorten installation time.

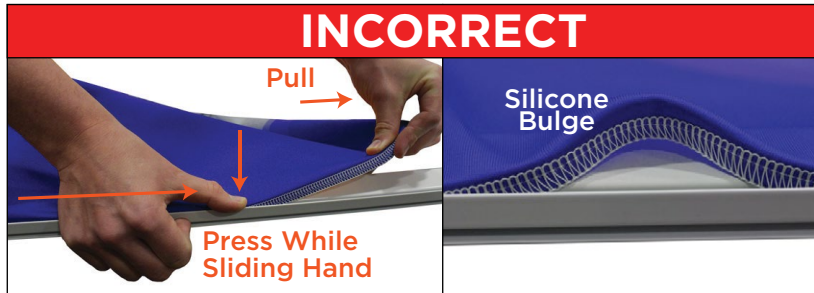


Handle graphics with care with clean hands in a clean environment. Clean cloth or latex gloves are recommended.

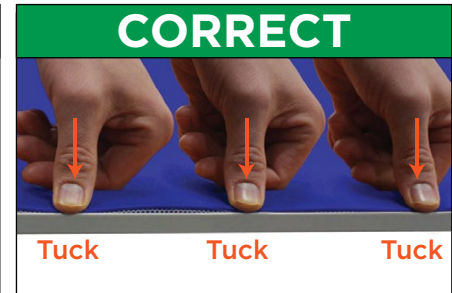


How to Install SEG Graphics:

Turn and tuck the side of the graphic with the silicone welt into the SEG groove. The stitched edge goes into the groove first.

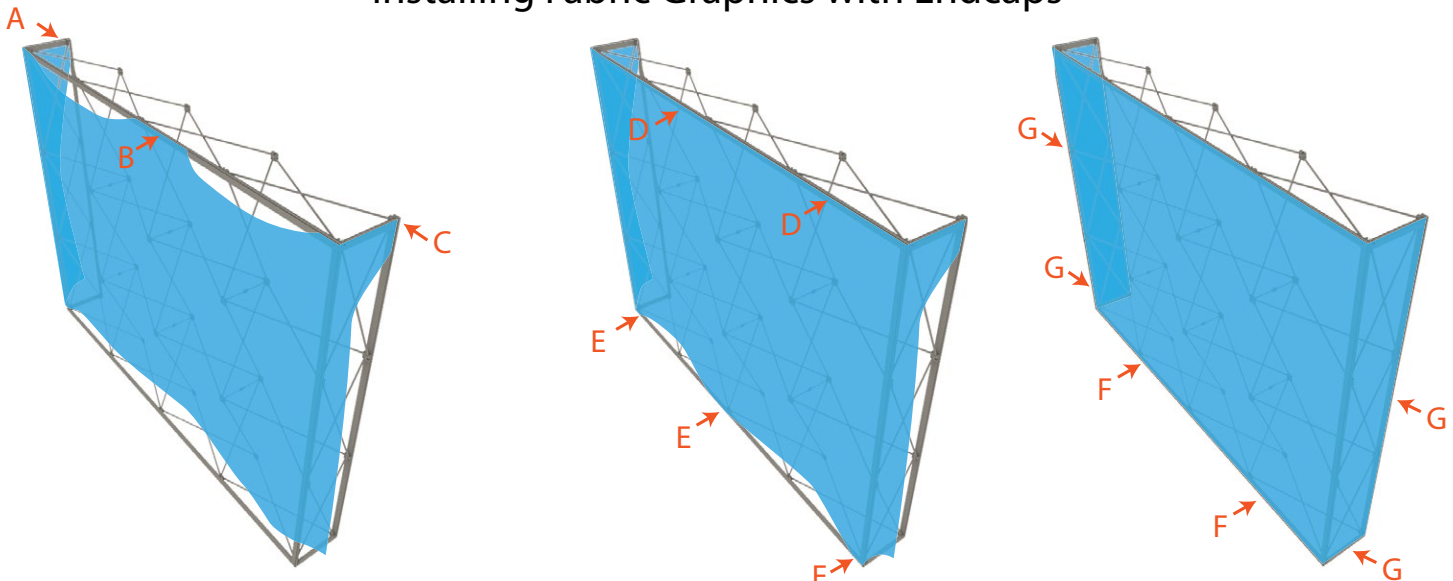


Pulling on the silicone welt during installation stretches the silicone and creates a bulge in the silicone welt that is difficult to correct smoothly.



A series of tucks reduces excess silicone.

Installing Fabric Graphics with Endcaps



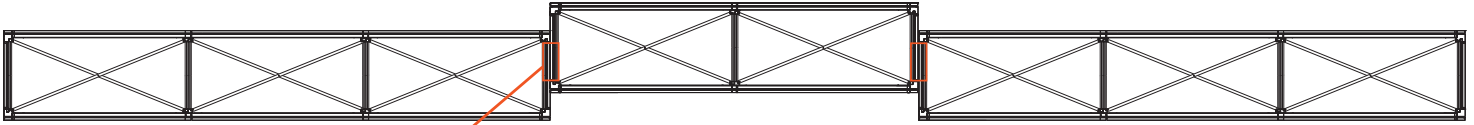
- A. Tuck the graphic into left/upper endcap SEG channel and partially down the vertical channel bar.
- B. Holding the graphic off of the ground, tuck the center of the graphic on the front of the frame.
- C. Tuck the graphic into the right endcap.

- D. Complete installation of the top edge of the graphic.
- E. Tuck the bottom/front corners and the middle of the bottom/front.

- F. Complete installation on the bottom/front.
- G. Complete installation of both endcaps.

Frame Alignment

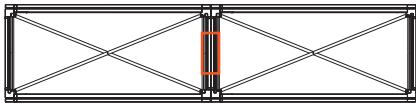
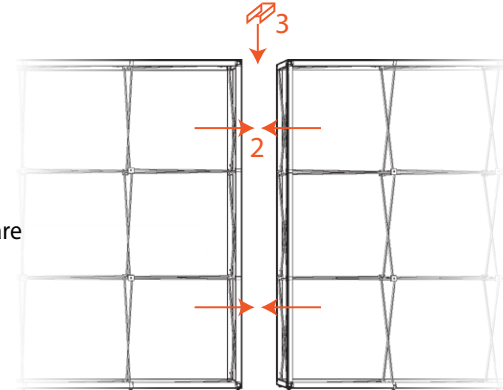
Top View



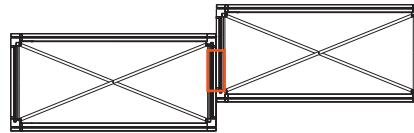
U - Connector

U-connectors are used to connect two frames together in an inline or staggered arrangement.

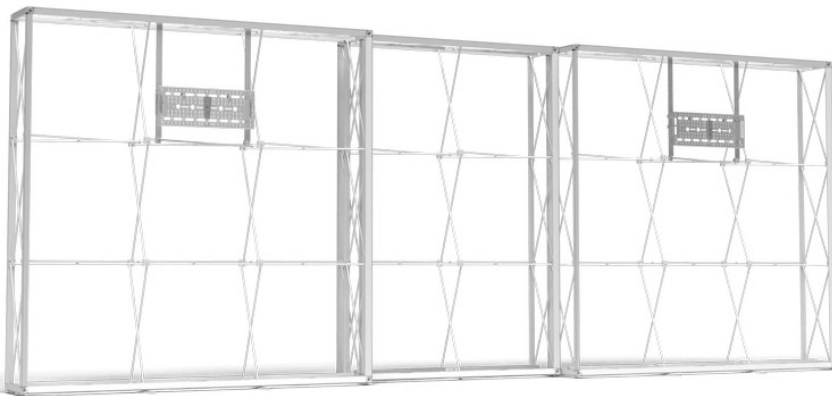
1. Install graphics onto both frames (see graphic installation instructions).
2. Push the frames together. Make sure the tops of the frames are level using the adjustable feet.
3. Slide the u-connector over the endcap channel bars of both frames.



Inline Arrangement



Staggered Arrangement



Shown with optional counter