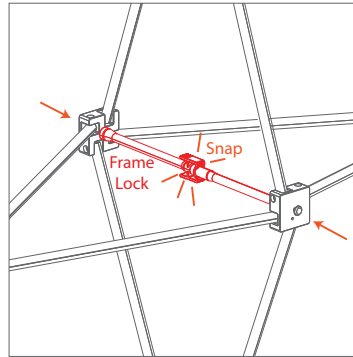
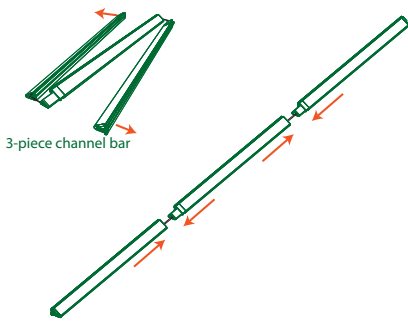
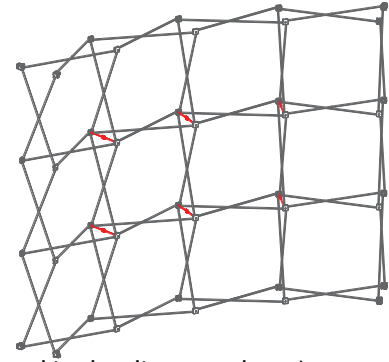


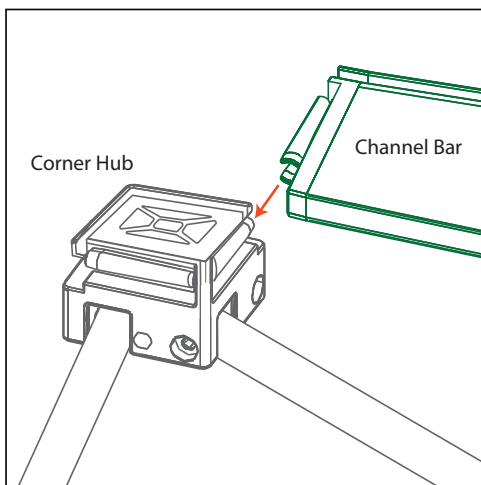
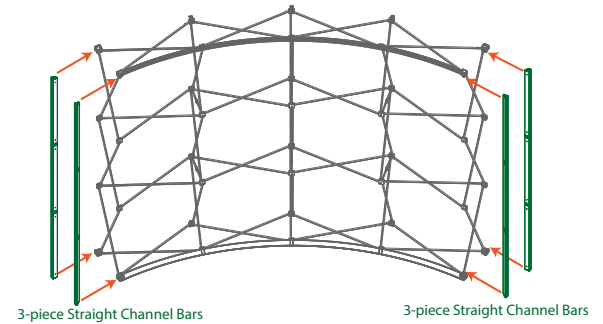
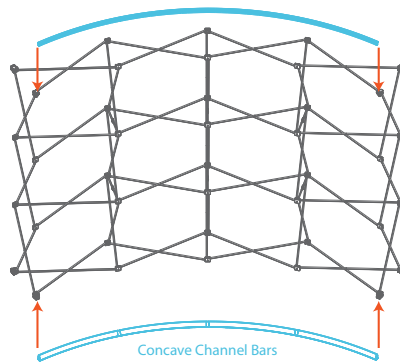
1. Set the frame standing on end. Grasp two of the middle hubs (circled in orange) and gently expand the frame. Note the location of the adjustable feet for future reference.



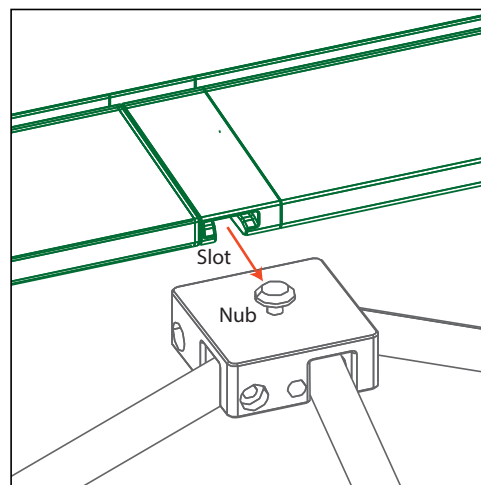
2. Snap all frame locks (marked in red in the diagram above) to secure the frame.



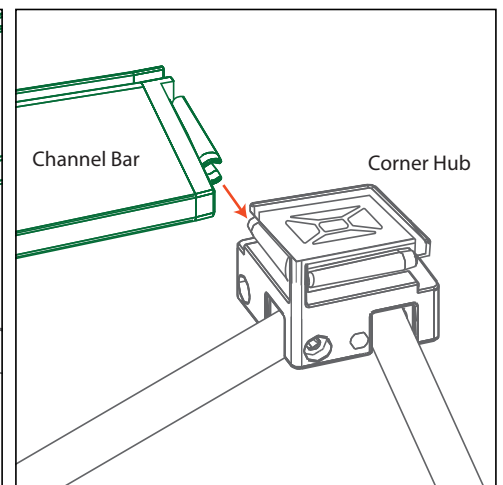
3. Unfold and slip together each bungeed channel bar.



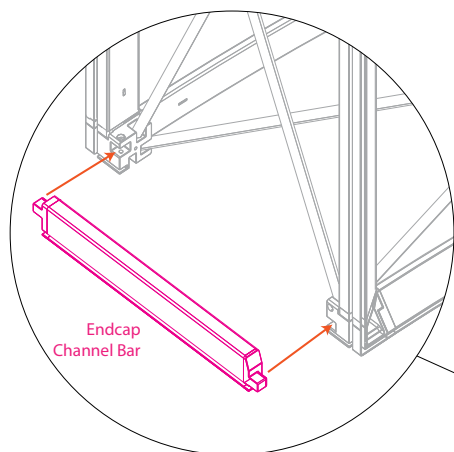
4A. Slide one end of the first channel bar onto the connection point of one of the corner hubs.



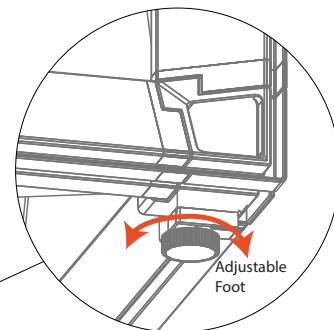
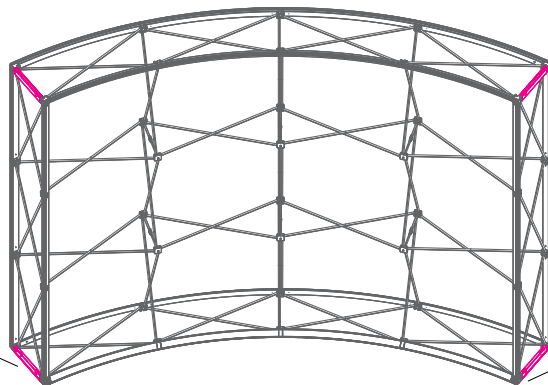
4B. Snap the slots in the back of the channel bar onto the nubs on the hubs.



4C. Attach the other end of the channel bar to the other corner hub. Repeat steps 4A-4C for all channel bars as seen in the diagrams above.



5. Snap four endcap channel bars onto the sides of the frame.



7. If the frame is on an uneven floor or if it leans, adjust the bottom feet.

8. Install the fabric graphics.  
See the following page for detailed graphic installation instructions.



## Graphic Installation Instructions



Caution! Installing silicone-edged graphics is technique sensitive; Practice will shorten installation time.



Handle graphics with care with clean hands in a clean environment. Clean cloth or latex gloves are recommended.



How to Install SEG Graphics:

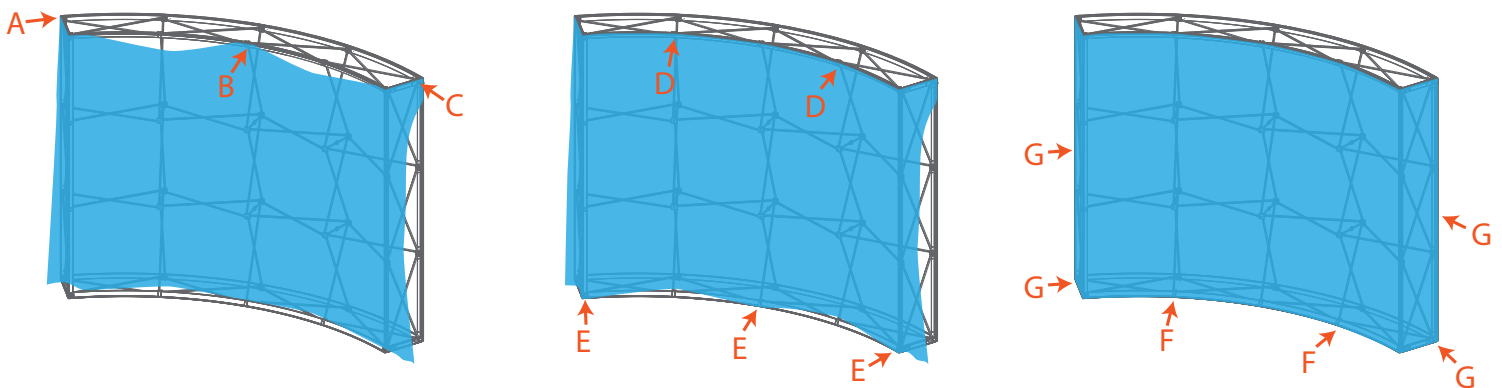
Turn and tuck the side of the graphic with the silicone welt into the SEG groove. The stitched edge goes into the groove first.



Pulling on the silicone welt during installation stretches the silicone and creates a bulge in the silicone welt that is difficult to correct smoothly.

A series of tucks reduces excess silicone.

## Installing Fabric Graphics with Endcaps



- A. Tuck the graphic into left/upper endcap SEG channel and partially down the vertical channel bar.
- B. Holding the graphic off of the ground, tuck the center of the graphic on the front of the frame.
- C. Tuck the graphic into the right endcap.

- D. Complete installation of the top edge of the graphic.
- E. Tuck the bottom/front corners and the middle of the bottom/front.

- F. Complete installation on the bottom/front.
- G. Complete installation of both endcaps.