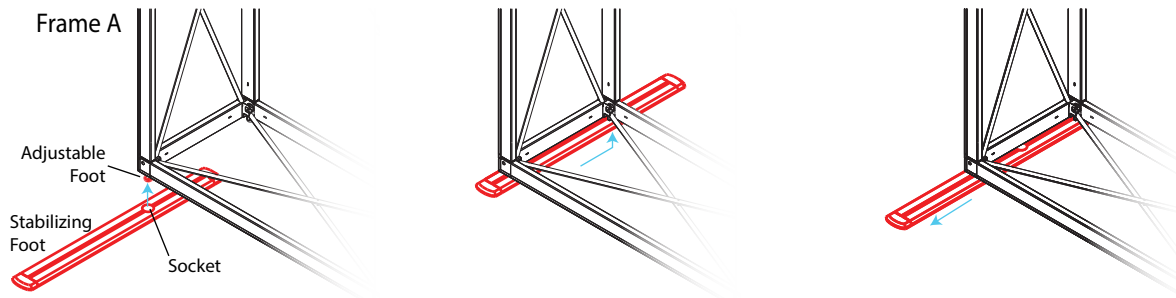


Example Use of Monitor and Bar Counter



Stabilizing Foot



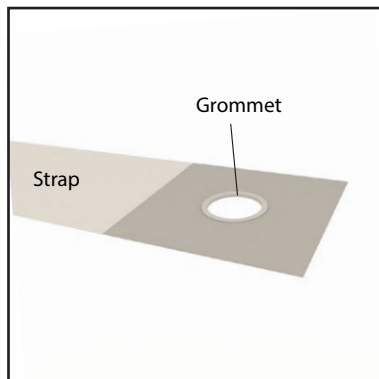
1. Slide the socket of the stabilizing foot over the front adjustable foot of the frame.

2. Slide the stabilizing foot back and slide the same socket over the back adjustable foot.

3. Slide the stabilizing foot forward.

Back Straps for Single-Sided Graffiti Displays

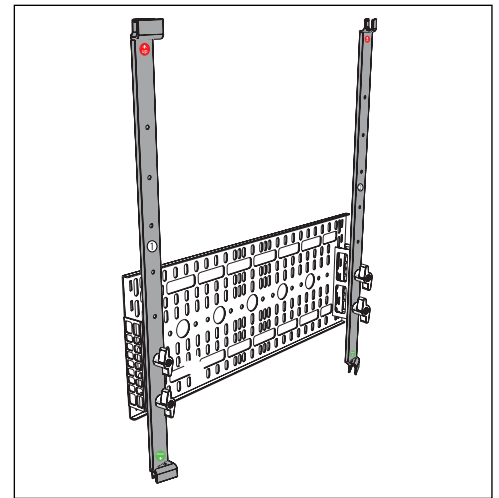
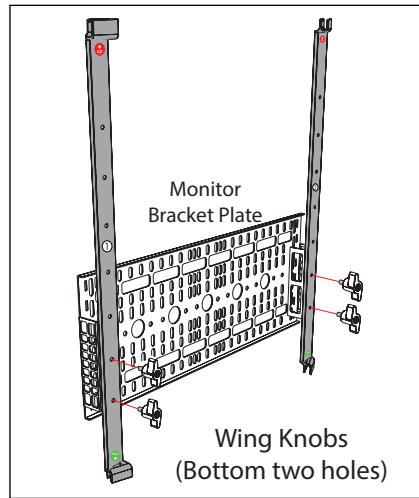
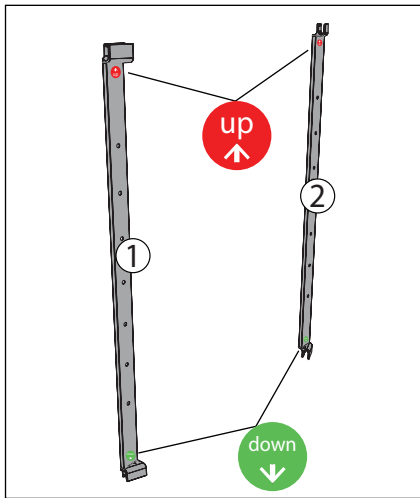
Back straps are required for single-sided Graffiti displays with monitor mounts.
30inch Graffiti displays with monitor mounts require a back graphic instead of straps.



1. Hook one grommet over the silver nub on the bottom hub.

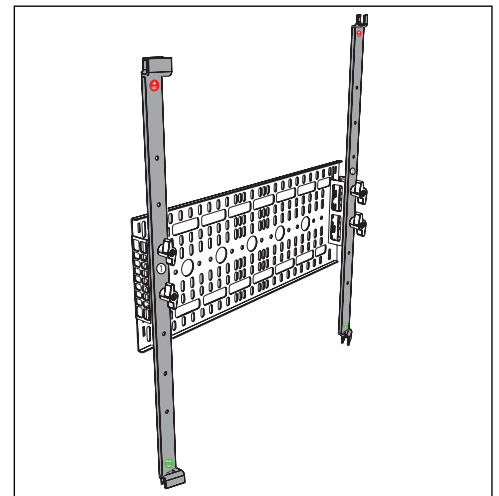
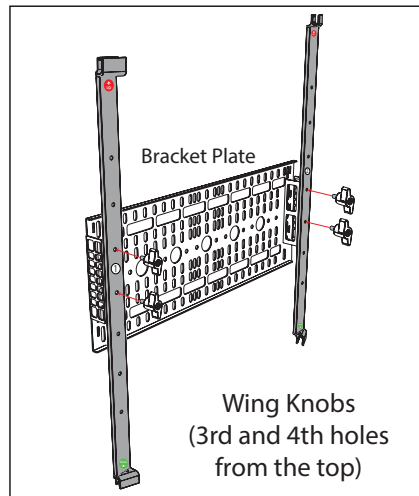
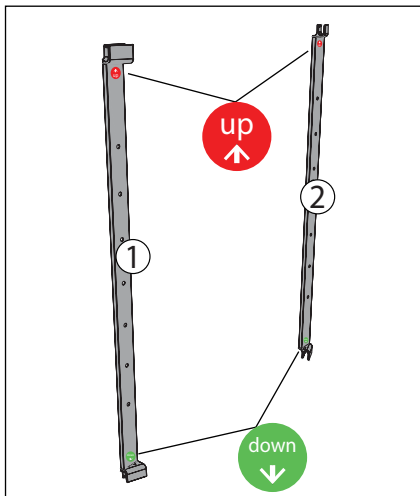
2. Stretching the strap taut, hook the second grommet over the silver nub in the top hub.

Monitor Bracket Plate Assembly



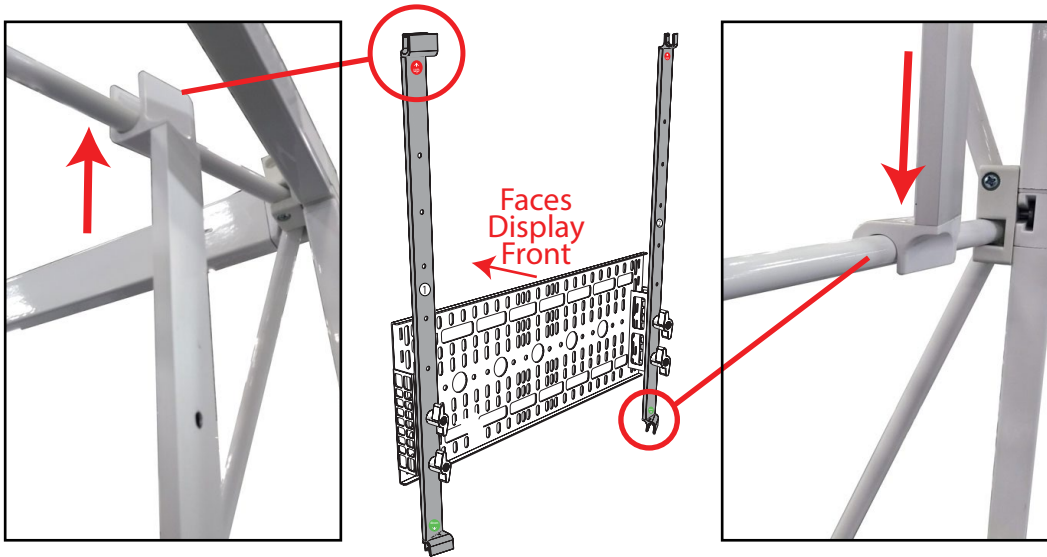
1. Attach the bracket plates to the vertical bars with four wing knobs as seen in the diagrams above. For the monitor bracket, the wing knobs will go through the bottom two mounting holes on the vertical bars.

Bar Counter Bracket Plate Assembly



2. Attach the bracket plates to the vertical bars with four wing knobs as seen in the diagrams above. For the bar counter bracket, the wing knobs will go through the bottom third and fourth mounting holes from the top on the vertical bars.

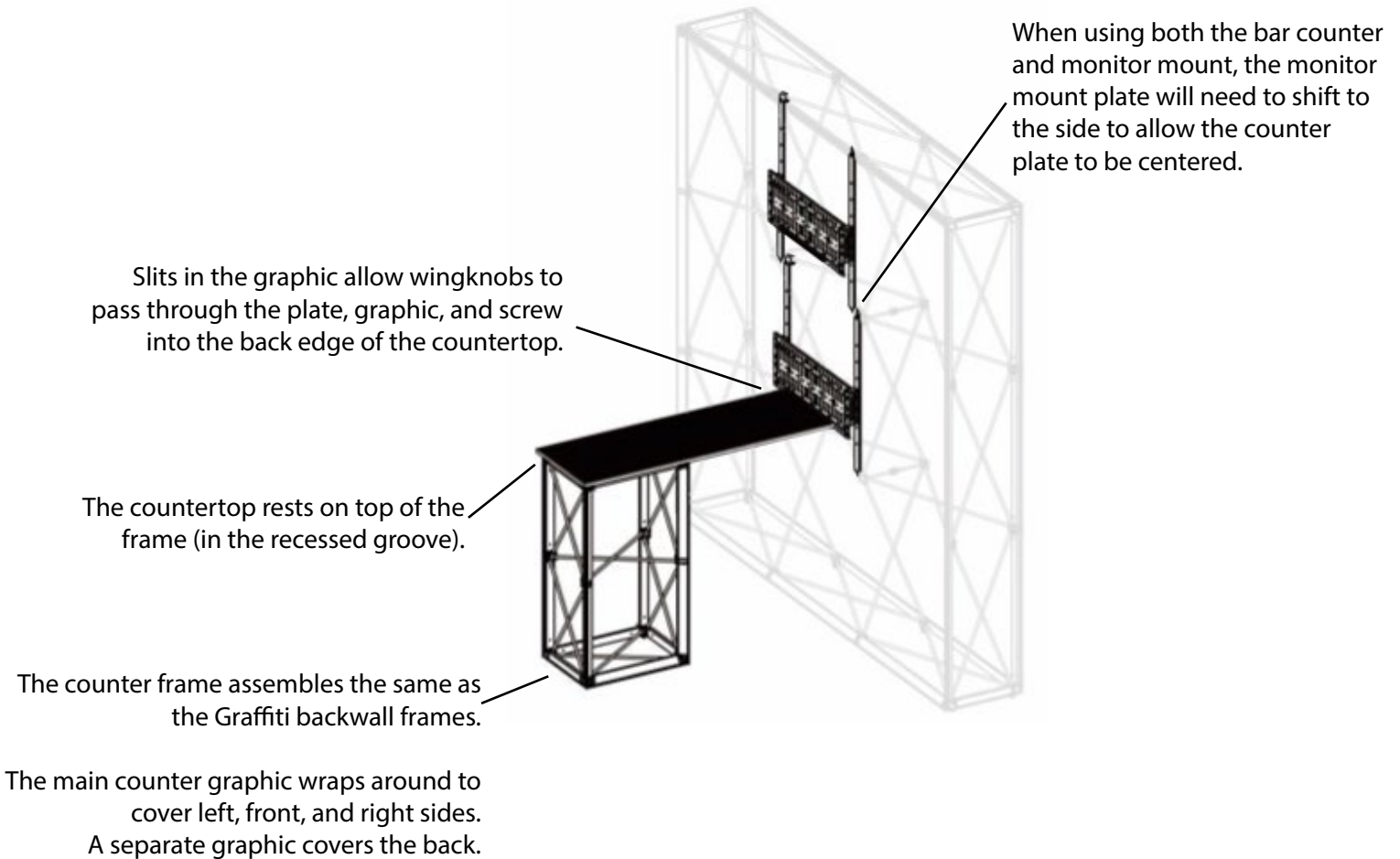
Mounting the Bracket Plates on the Frames



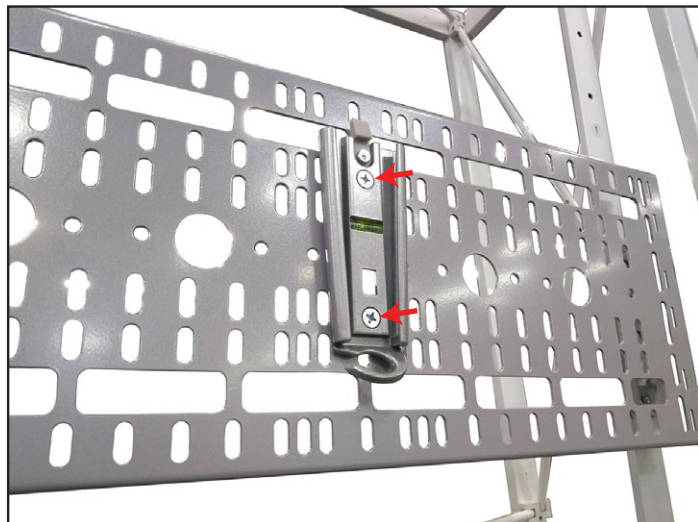
1. To hang the plates on the frame, slide the upper u-channels over the top cross members of the frame.

2. Slide it down so the lower u-channels rests on the cross members below.

Mounting Overview and Counter Details

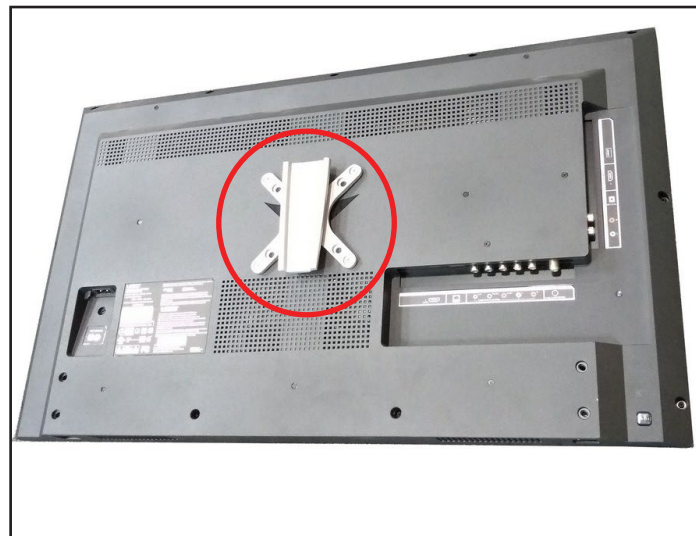


Hanging the Monitor

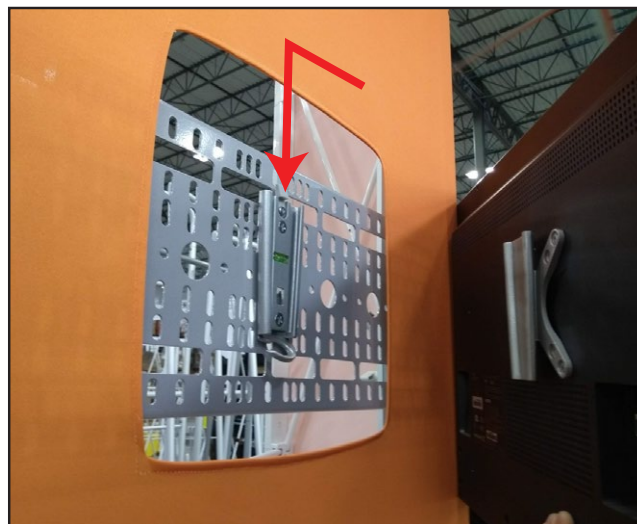


1. Attach the smaller monitor bracket back plate onto the monitor bracket plate as seen above using the provided screws and wing-nuts.

Note: The back plate can be mounted anywhere along the plate to align with the cutout in the graphic.



2. Attach the X-shaped monitor mount to the television using the appropriate screws for the television. The bracket is compatible with VESA 75 (inner mounting holes) and VESA 100 (outer mounting holes).



3. Install the graphic - See graphic installation instructions.

4. Hang the monitor onto the monitor bracket as seen above. The monitor wires can be passed through the cutout in the frame.

Graphic Installation Instructions



Caution! Installing silicone-edged graphics is technique sensitive; Practice will shorten installation time.



Handle graphics with care with clean hands in a clean environment. Clean cloth or latex gloves are recommended.

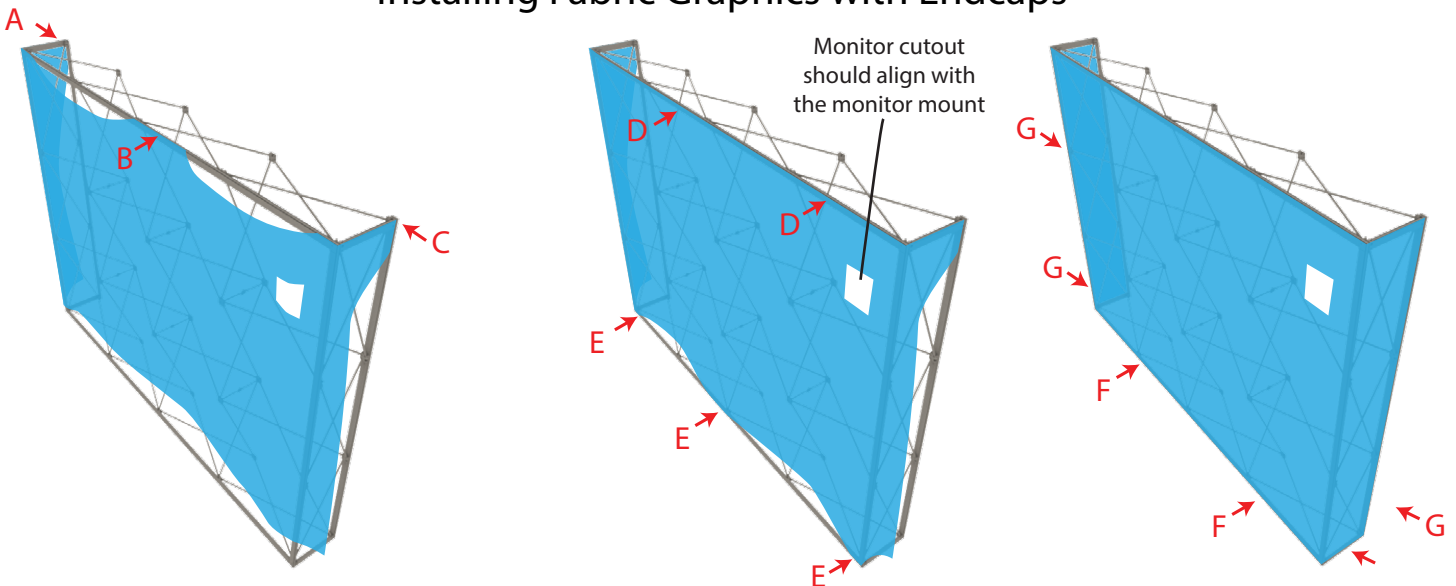


How to Install SEG Graphics:
Turn and tuck the side of the graphic with the silicone welt into the SEG groove. The stitched edge goes into the groove first.



Pulling on the silicone welt during installation stretches the silicone and creates a bulge in the silicone welt that is difficult to correct smoothly. A series of tucks reduces excess silicone.

Installing Fabric Graphics with Endcaps



- A. Tuck the graphic into left/upper endcap SEG channel and partially down the vertical channel bar.
- B. Holding the graphic off of the ground, tuck the center of the graphic on the front of the frame.
- C. Tuck the graphic into the right endcap.

- D. Complete installation of the top edge of the graphic.
- E. Tuck the bottom/front corners and the middle of the bottom/front.

- F. Complete installation on the bottom/front.
- G. Complete installation of both endcaps.

G