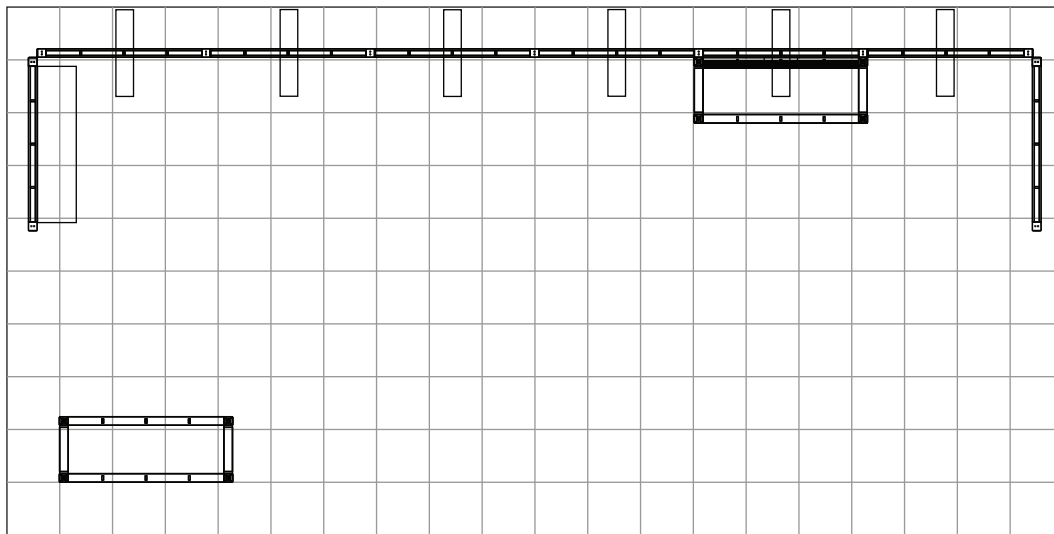
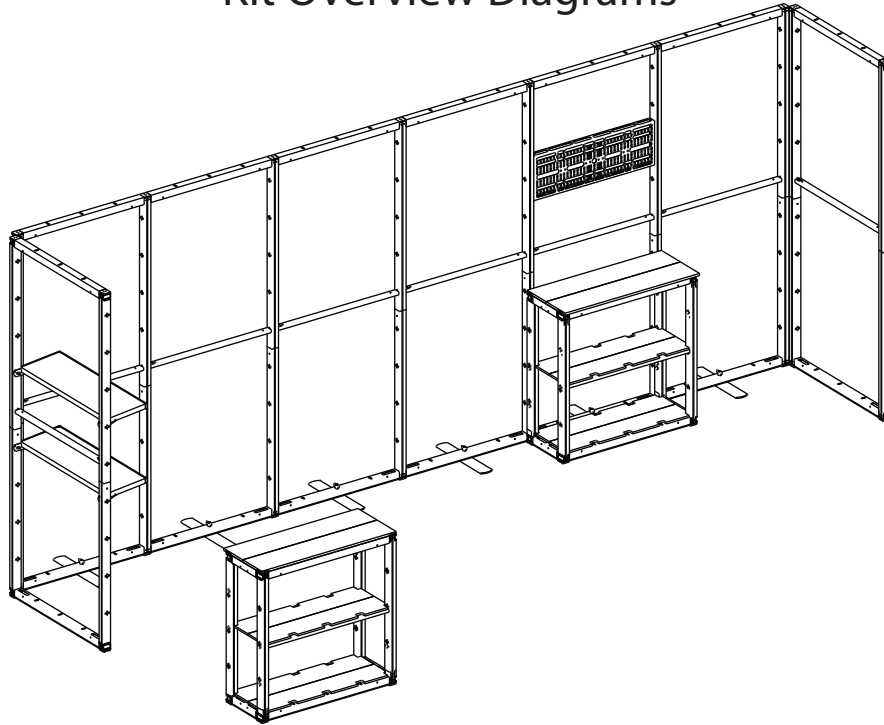
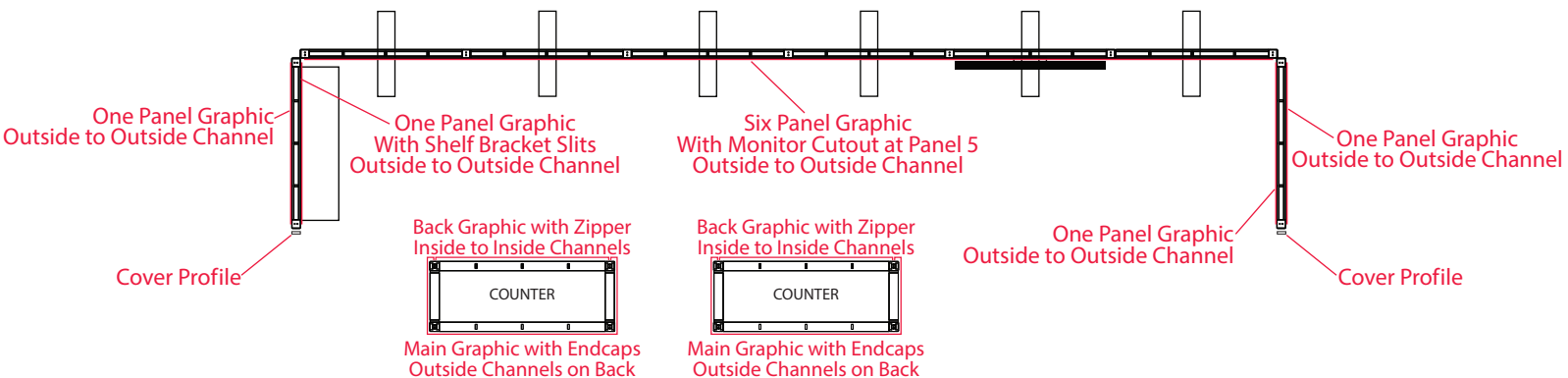


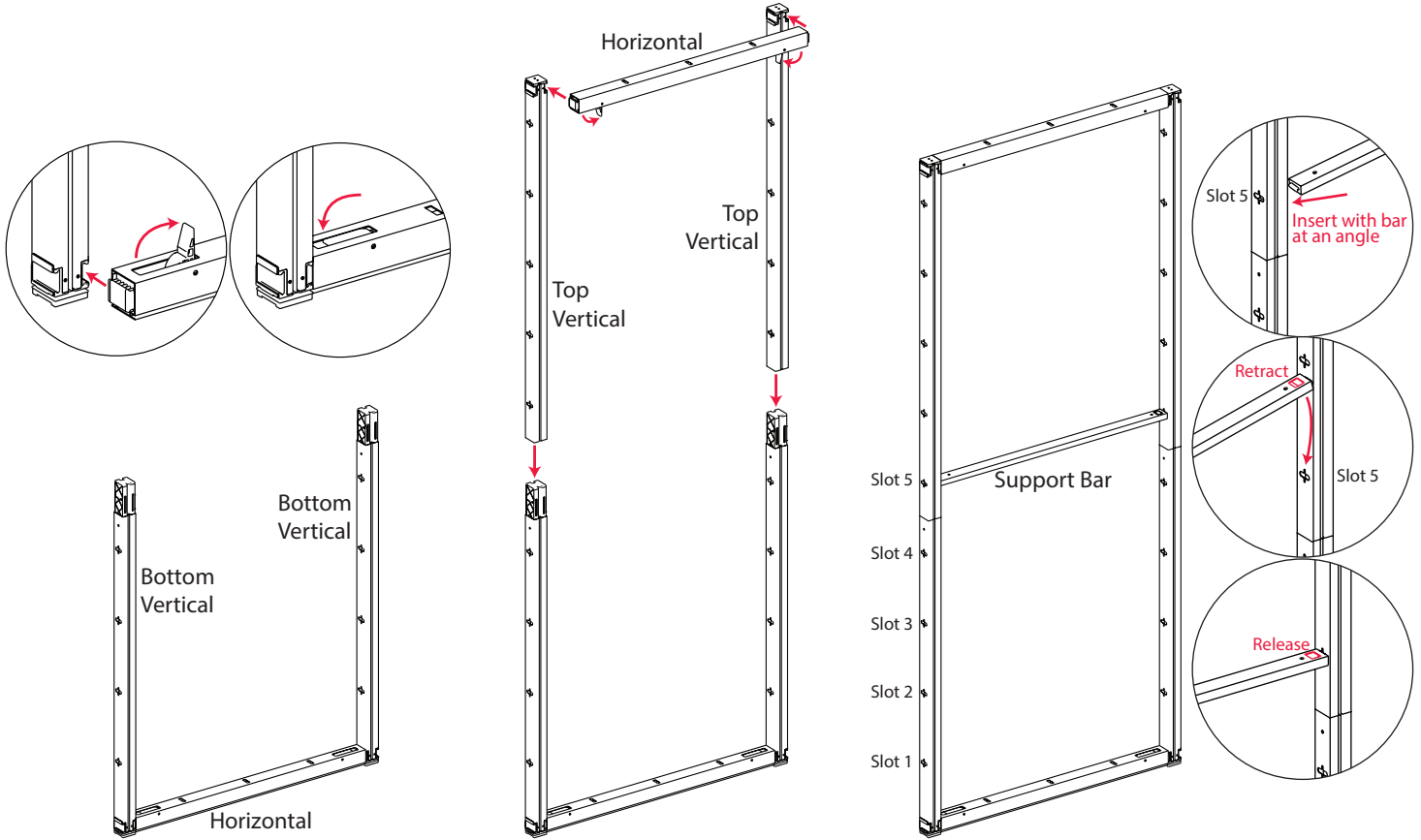
## Kit Overview Diagrams



Note: This kit configuration may not require all your available components.

## Graphics Diagram

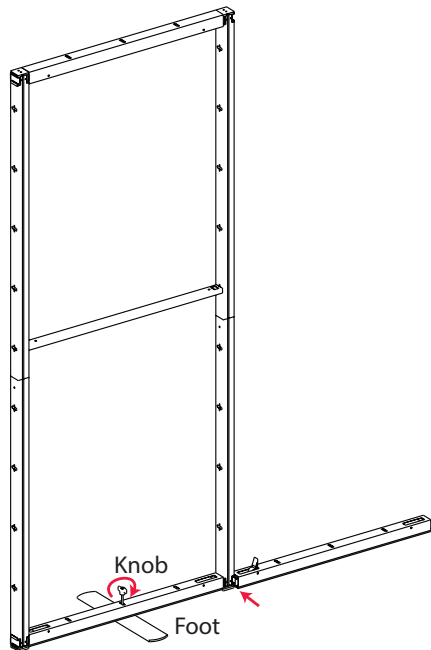




1. To connect the horizontal bars to vertical bars, lift the lock lever, slide the parts together, and close the lock lever.

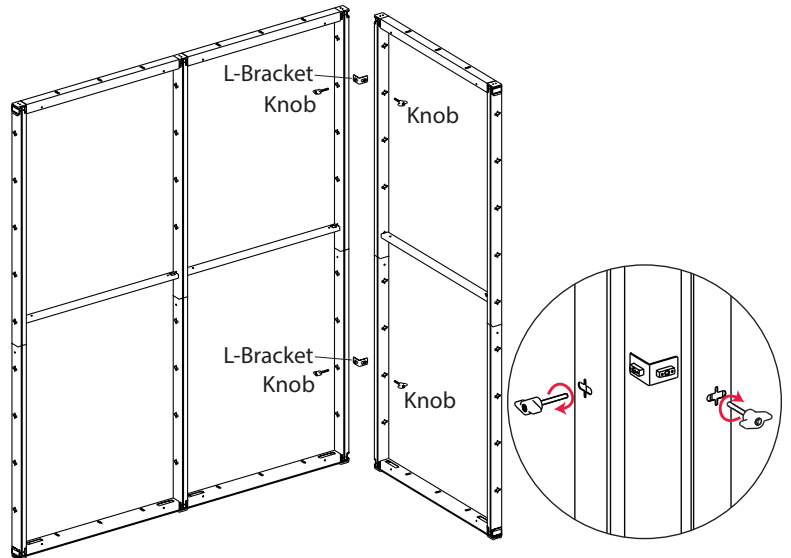
2. Slide the top vertical bars over the bottom vertical bars. Attach the top horizontals and lock their levers.

3. Attach the support bar by inserting the non-spring-loaded end into the 5th slot on the left with the other end of the bar lifted. Retract the spring lock and lower the right side until it lines up with the right slot. Release the spring lock.



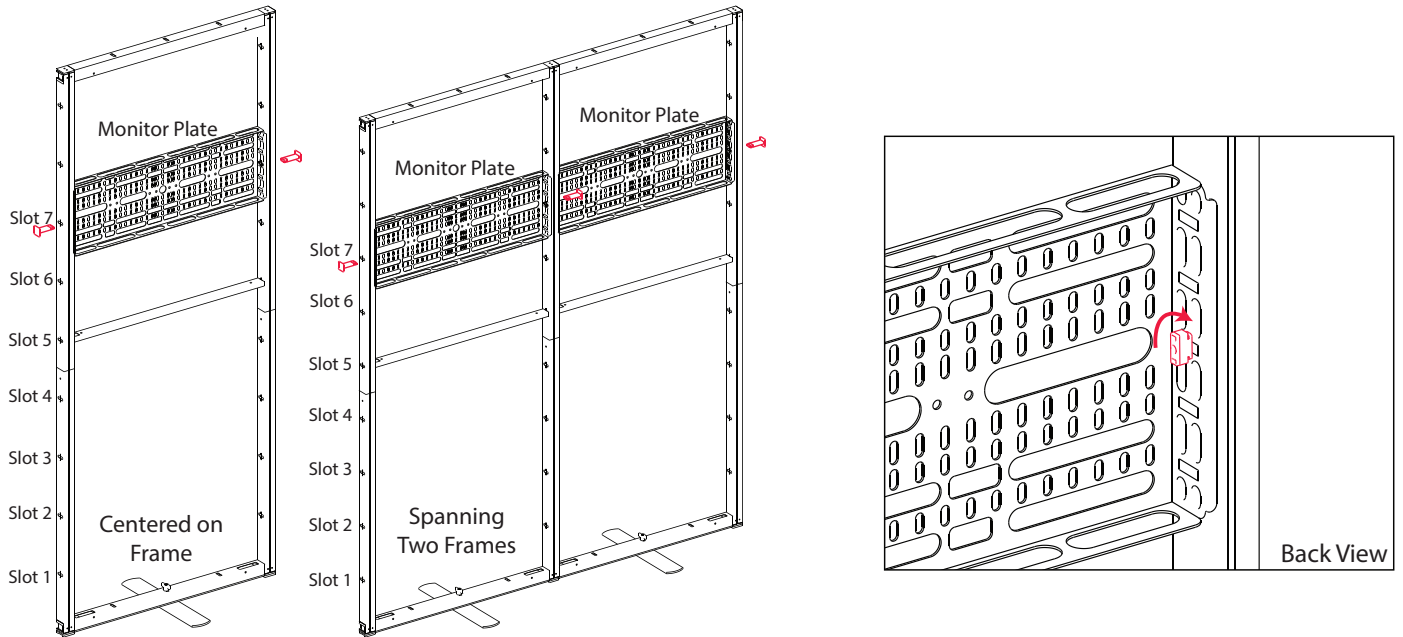
4. Where shown in the kit frame diagram, attach feet to the bottom of the frame with a knob.

5. If building a longer wall, horizontal bars attach to the outside of the vertical bars. Lock the lever and continue building the frame.



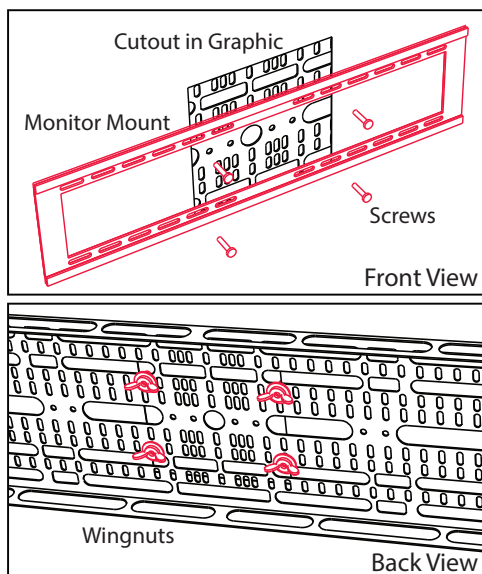
6. To form a corner, attach two L-brackets with knobs. Note: Constructing a room requires a different L-bracket. See the room assembly instructions for details.

## Monitor Mount Standard Installation

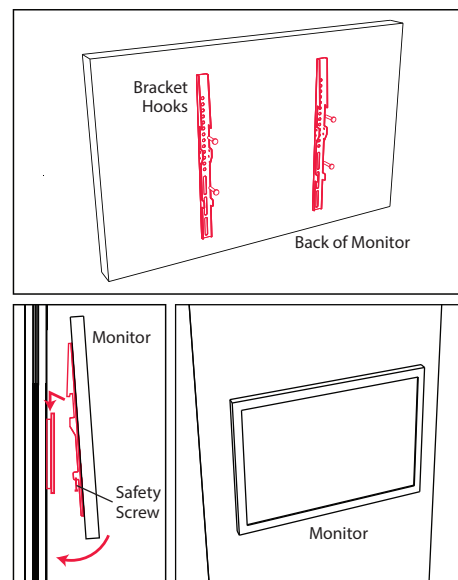


1. Attach the monitor plate to the frame(s) with monitor mount connectors (marked in red). Two plates may be attached on two adjacent frames as seen above. The plate will be flush to the front of the frame(s).  
 Note: Attaching a monitor mount on the front of a room requires different mounting hardware. See the room instructions for details.

2. Twist the ends of the connectors ninety degrees to lock them in place.

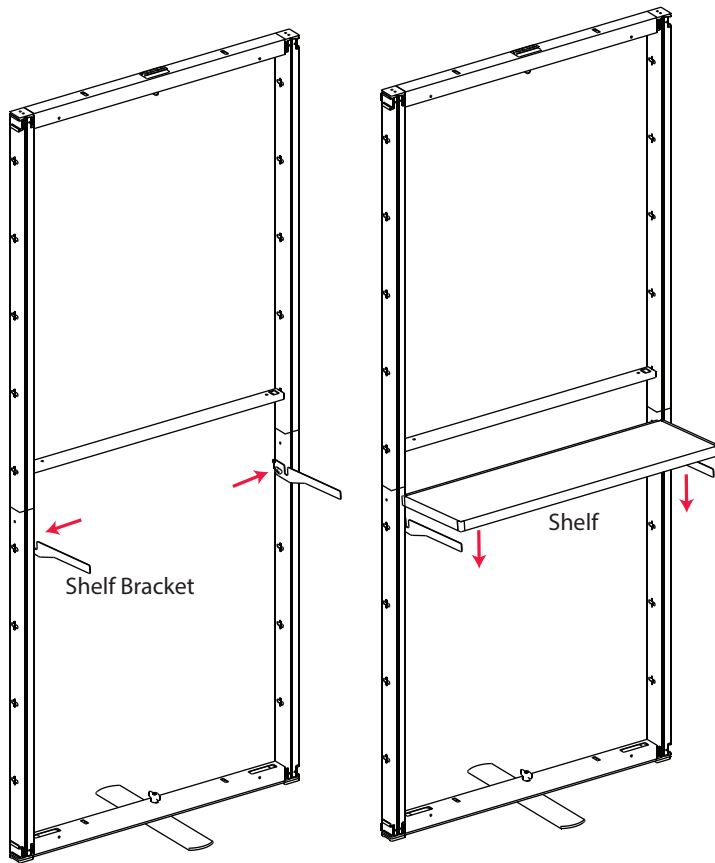


3. Install the fabric graphic with monitor mount cutout aligned over the monitor mount plate. See graphic installation instructions for details.  
 4. Attach the monitor mount onto the plate with screws. Secure with wingnuts on the back of the plate. When required, the mount may span across two plates as seen in step 1.



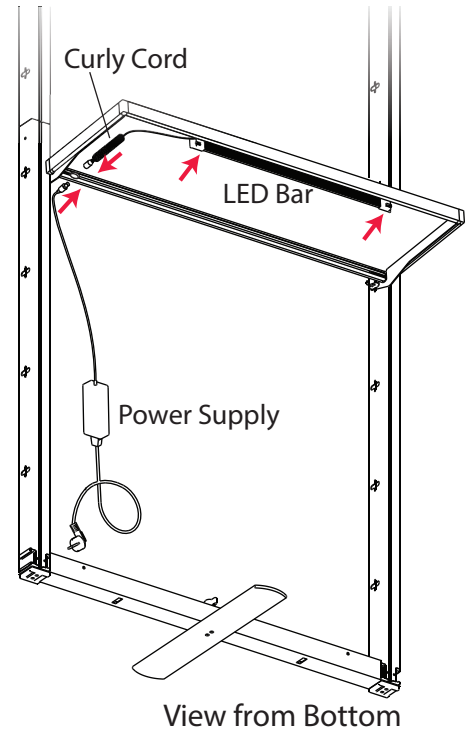
5. Attach the monitor mount hook bars onto the back of the monitor.  
 6. Hang the monitor hooks onto the monitor mount. This may require two people. Secure the safety screws on the hook bars.

## Shelf Installation



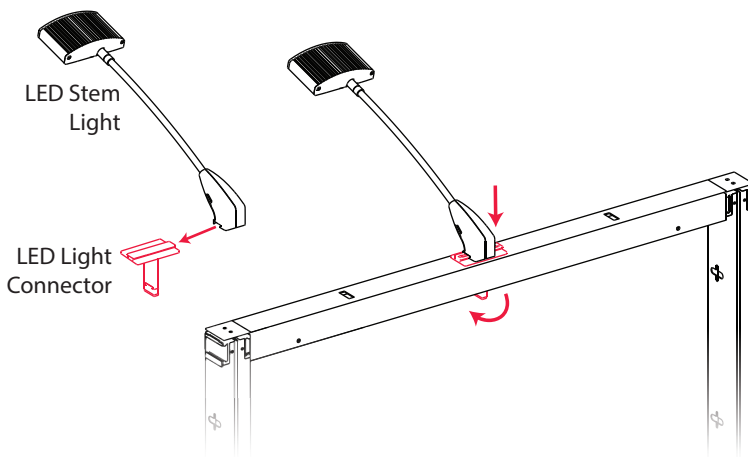
1. Attach two shelf brackets on the inside slots of the frame. Brackets will need to pass through slots in the fabric graphic (not shown above).
2. Set the shelf on top of the brackets.

## Optional Shelf LED Installation



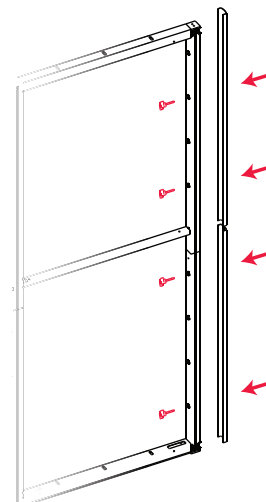
3. Install the optional LED bar to the bottom of the shelf. The bar snaps into the channel in the front, underside of the shelf. The curly cord connects to the power supply cord through the hole in the back edge of the shelf.

## LED Stem Lights



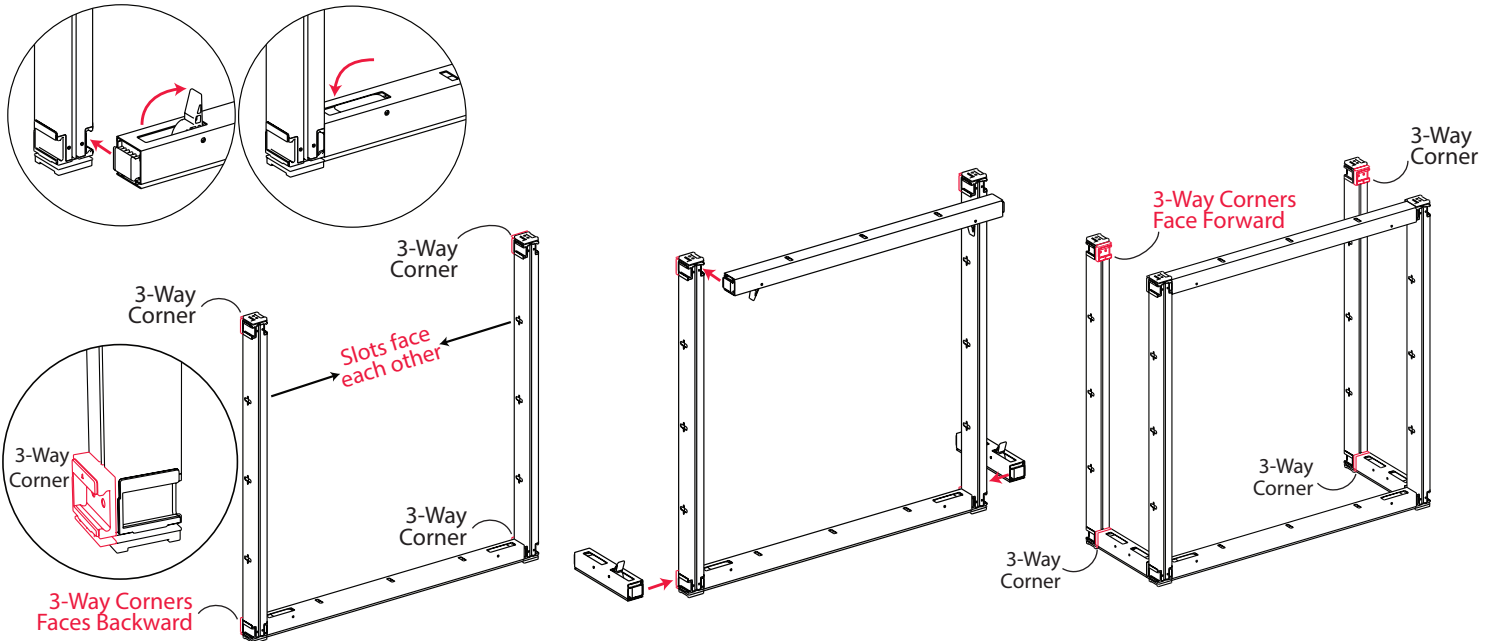
1. Attach the LED Stem Light to the LED Light connector (marked in red).
2. Insert the connector through the slot in the top of the frame. Twist the ends of the connectors ninety degrees to lock them in place.

## Cover Profile

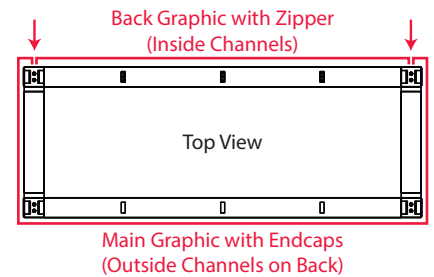
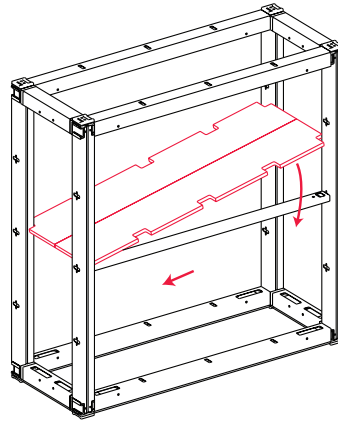
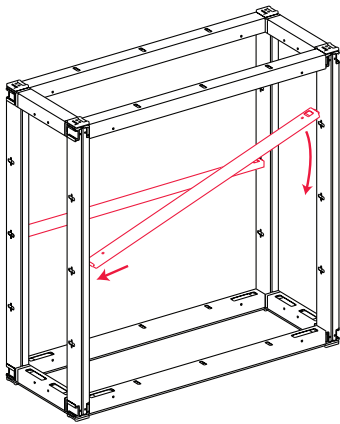


1. To cover the slots at the end of a frame, attach cover profiles with knobs as seen above.

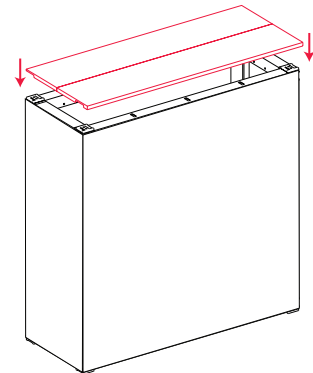
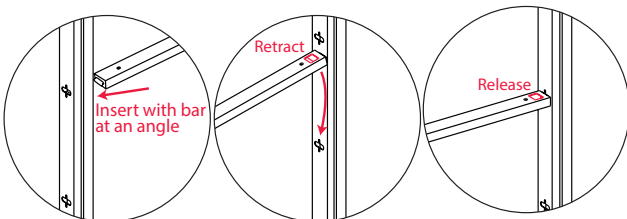


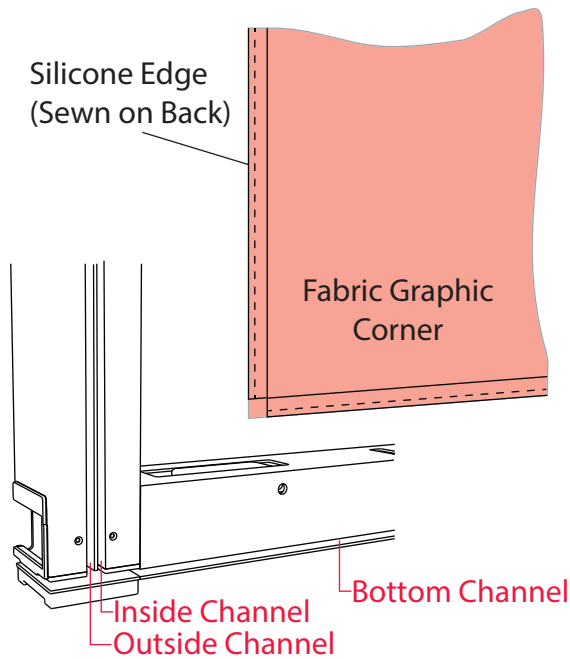


1. Locate two short vertical bars with 3-way corners on both ends. Attach the two together with a horizontal bar by lifting the lock levers, sliding the parts together, and closing the lock levers.
2. Attach two short horizontals to the bottom 3-way corners. Attach a long horizontal to the top of the verticals.
3. Add two more vertical bars, making sure that the short horizontal bars attach to their 3-way corners.



4. Finish building the frame box by adding two short and two long horizontals.
5. Attach two support bars. Insert the non-spring-loaded end into the slot on the left with the other end of the bar lifted. Retract the spring lock and lower the right side until it lines up with the right slot. Release the spring lock.
6. Unfold and rest the shelf on the support bars.
7. Install the fabric graphics. See graphic installation instructions for details. It is most common for the front graphic to start on the back, wrap around the left side, front, right side, and end on the back.
8. Unfold and rest the countertop on top.

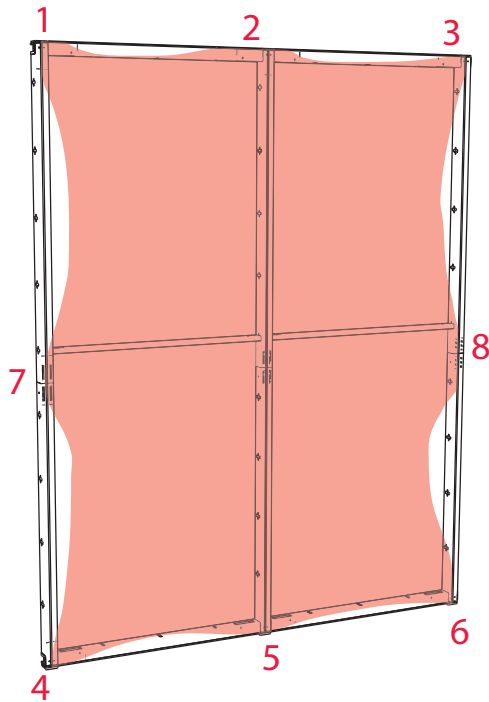




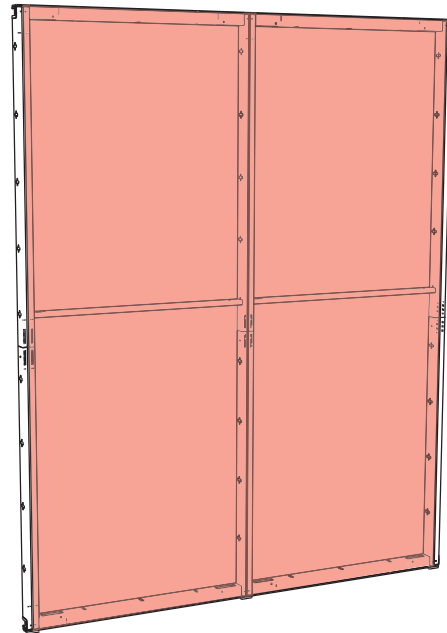
1. To install fabric graphics, turn the edge and tuck the silicone strip into the channel in the frame. The stitched edge goes in first.

Main backwall graphics go into the outside channels.

**Do not stretch silicone edge graphic during installation.**



2. Starting in the top/left corner, tuck the graphic. Tuck periodically across the top and then the top/right corner. Repeat for the bottom edge. Tuck the center of the vertical edges.

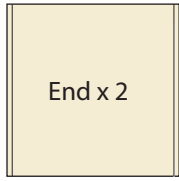


3. Tuck the remaining portion of the graphic to complete installation.

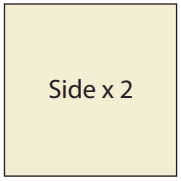
Some graphics may wrap around the side or back of a frame.



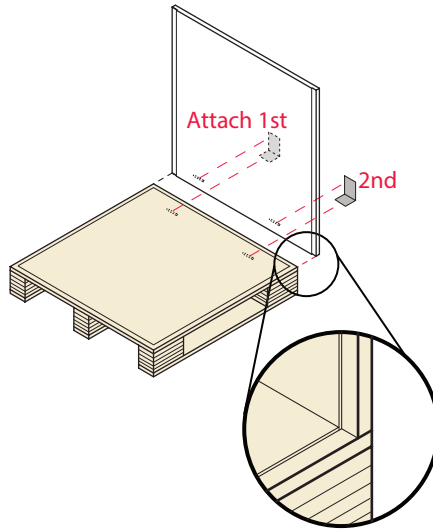
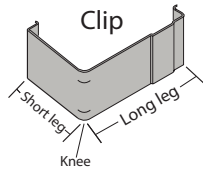
\*Milled Edge Perimeter\*



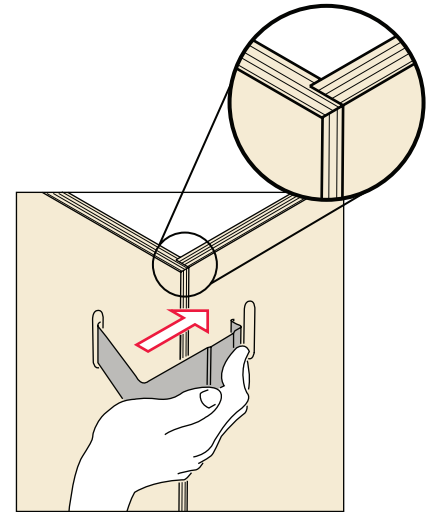
\*2 Vertical Milled Edges\*



\*No Milled Edge\*

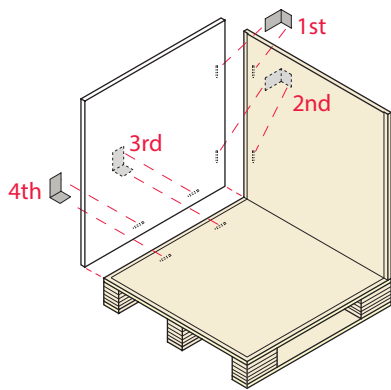


2. Attach end to base with clips.

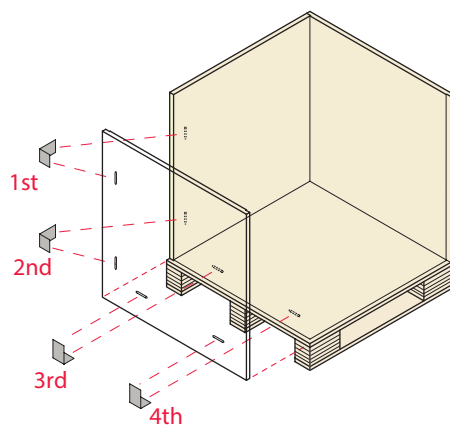


3. Attach clip so that the long leg spans across the edge of the overlapping board. Then, push the knee of the clip until it snaps into the slot.

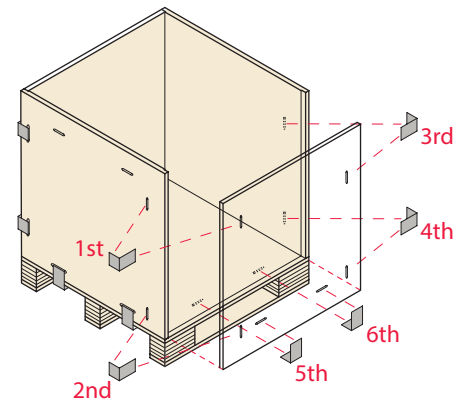
1. Identify boards and clip leg lengths.



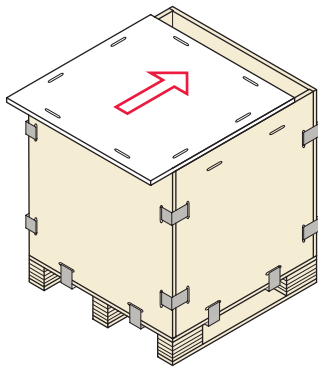
4. Attach side to end and base.



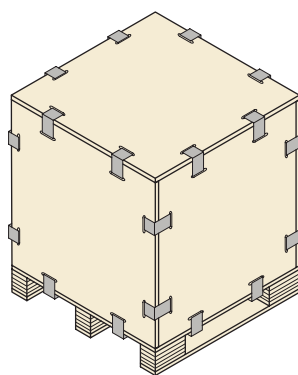
5. Attach end to side and base.



6. Attach side to both ends and base.

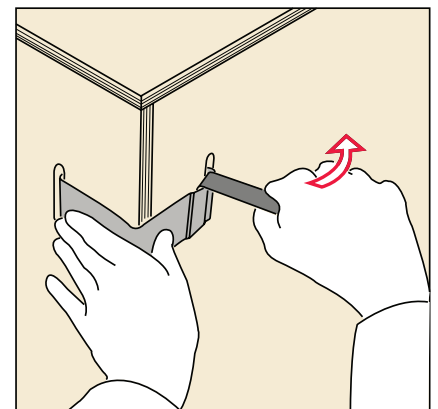


7. Fit top between the 2 sides and slide into place.



8. Be sure the top is fully seated, then attach with the remaining clips.

## Disassembly



To remove clips, insert the removal tool into the raised pocket on the long leg of clip. Cover the clip with your hand and rotate the tool toward the center of the panel.



Always wear safety glasses when installing or removing clips.  
Always cover the clip with your hand when removing clips.