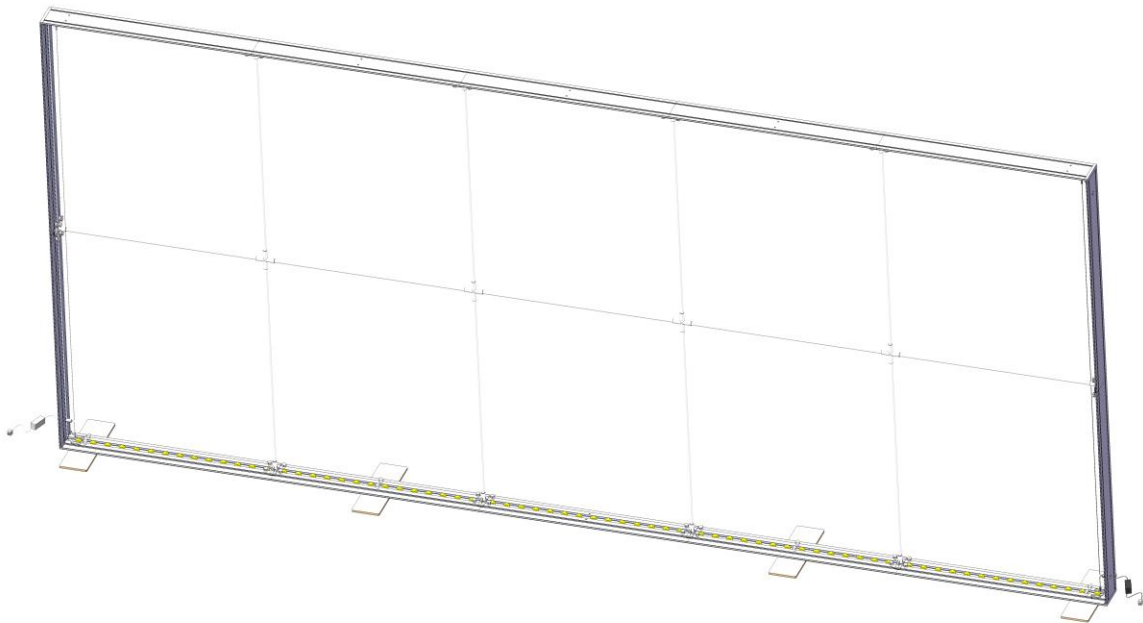


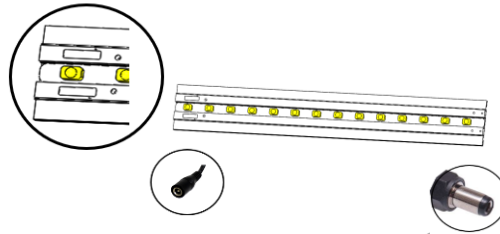
20' Prism Backlit Frame



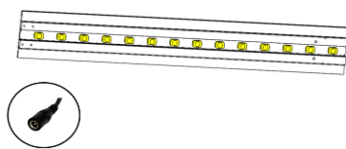
Frame size: 230 inches x 92 inches

Part for Assembly

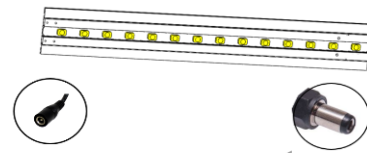
Set-up requires minimum 2 people



4 - end LED panel
duo connect



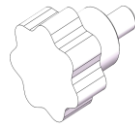
4 - input only LED
panel



2 - duo connect
LED panel



4 - Side
Frame
Panels



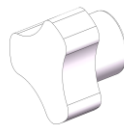
40 - Knobs
for Flat
Connecting
Brackets



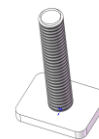
20 - Flat
Connecting
Brackets



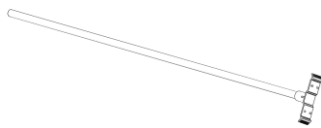
4 - Feet



8 - Nuts for
Feet



8 - Screws
for Feet



10 - Horizontal and
Vertical Support
Poles



3 - Crossbar
Support
Poles

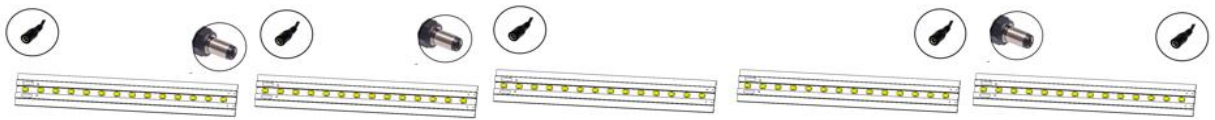


4 - Support
Pole
Connectors

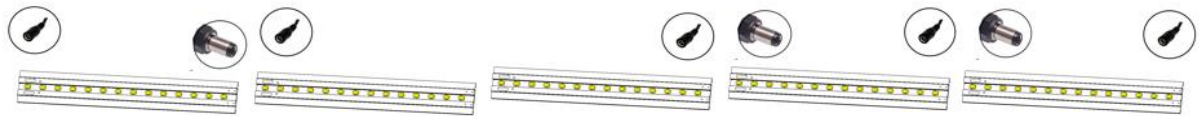


2 - Power
Supplies

Step-by-Step Instructions

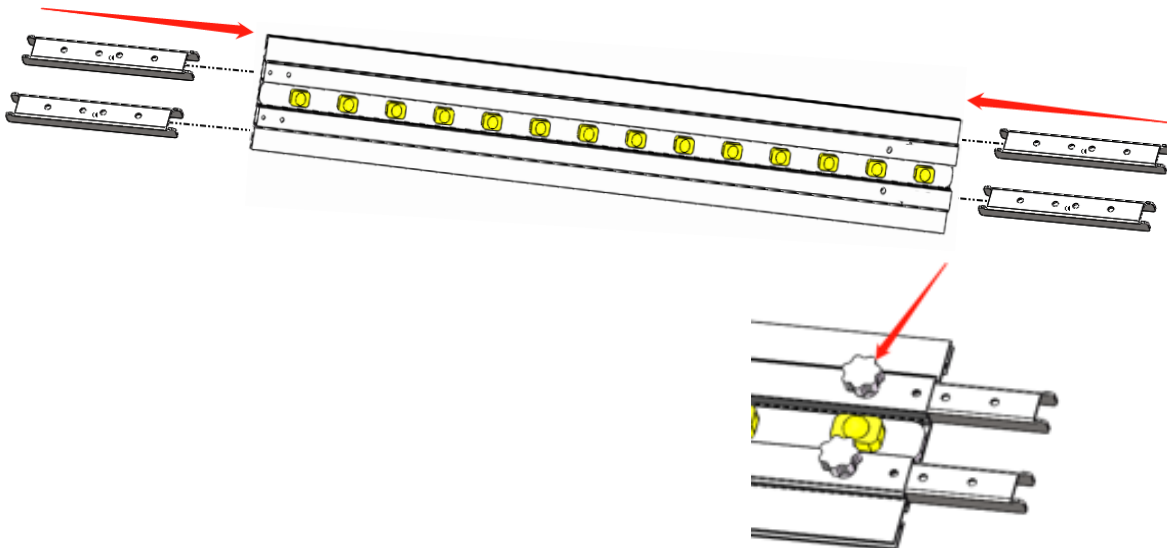


top of frame

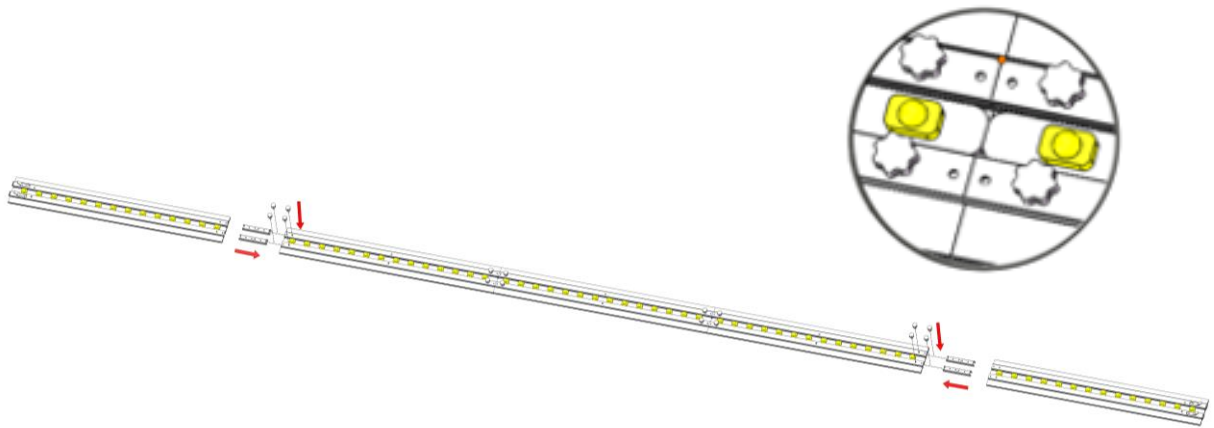


bottom of frame

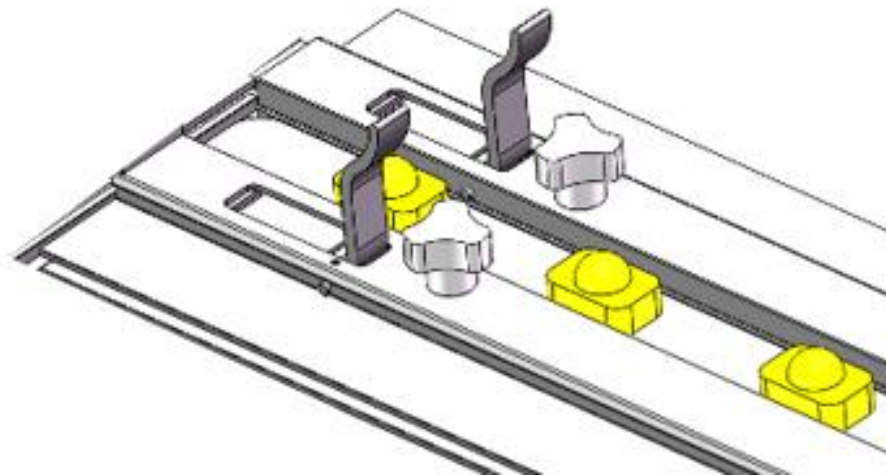
1: Lay out frame panels in this order.



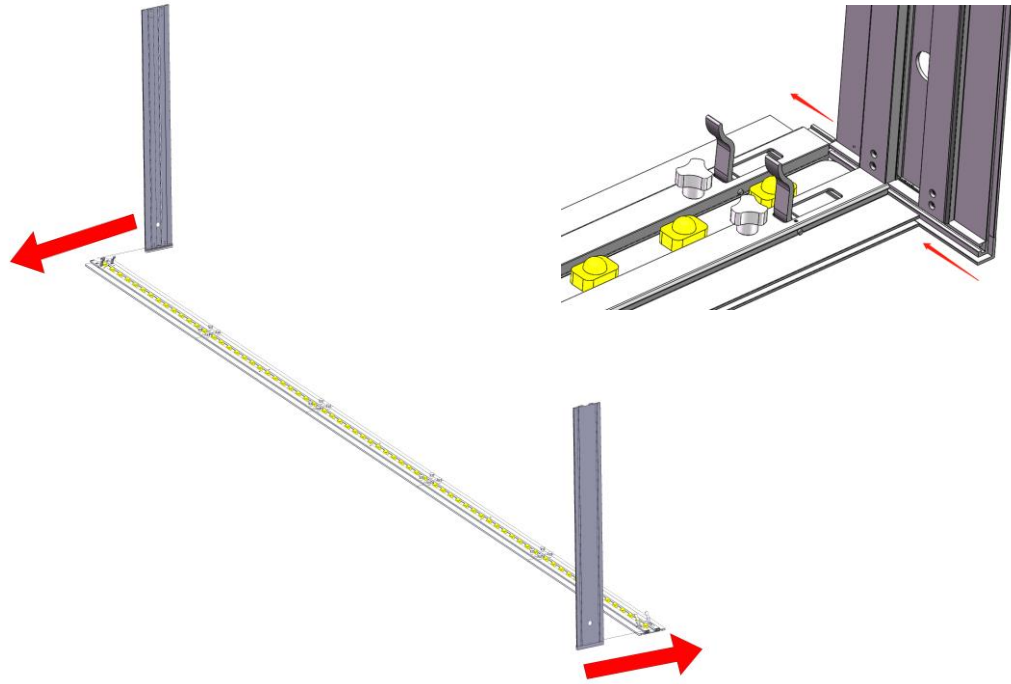
2: Insert flat connecting brackets and secure with knobs.



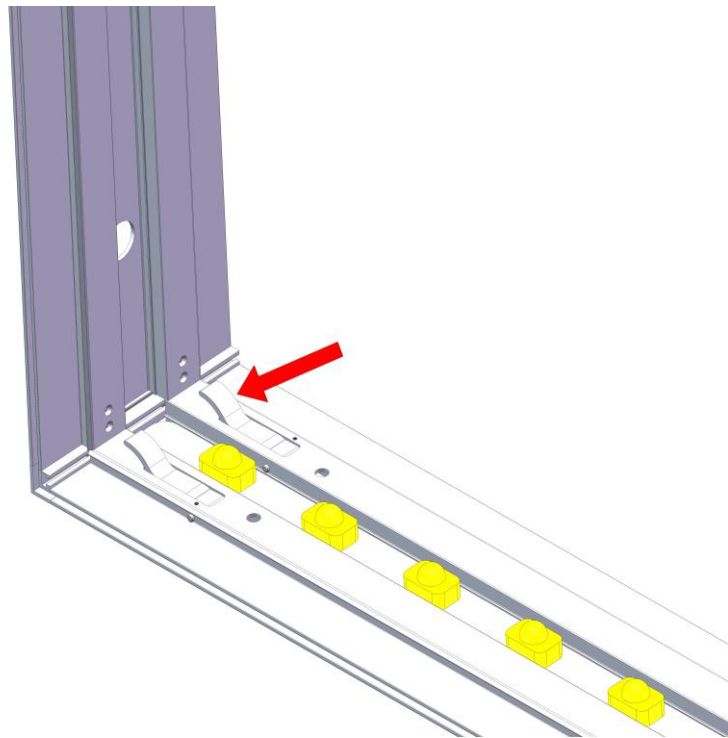
3: Continue attaching panels together with flat connecting brackets and knobs.



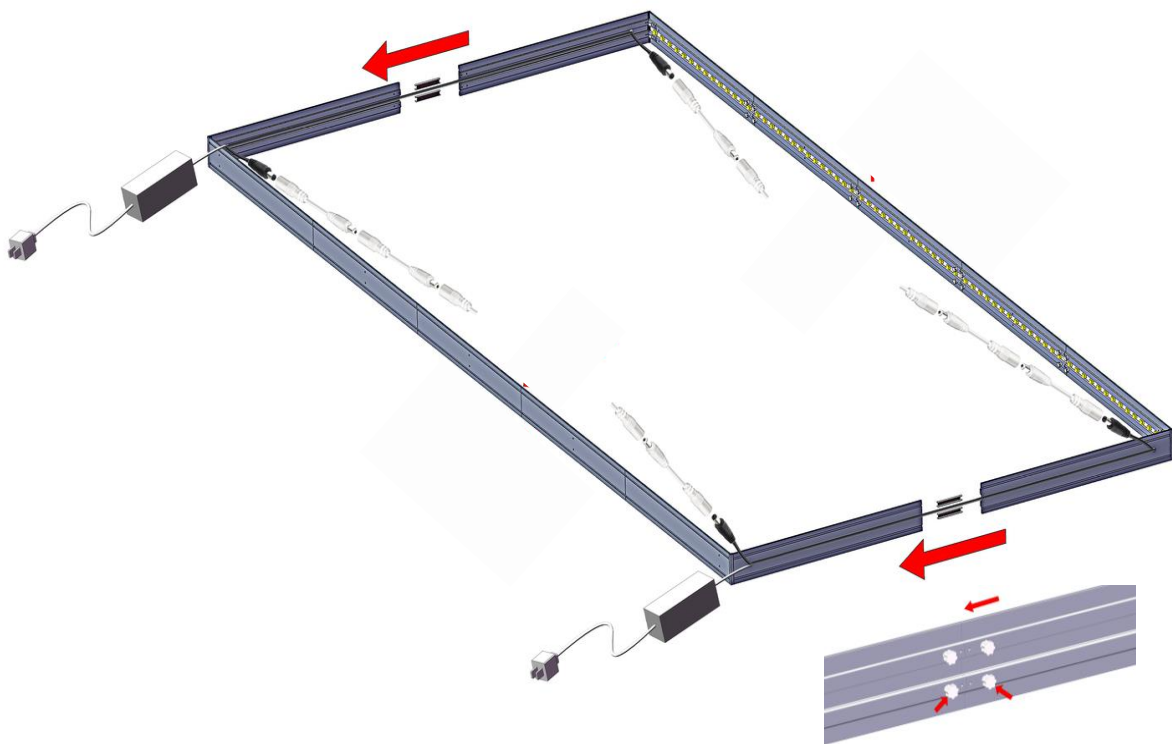
4: Open clips on LED Light Strip panels to slide Side Frame Panels into place.



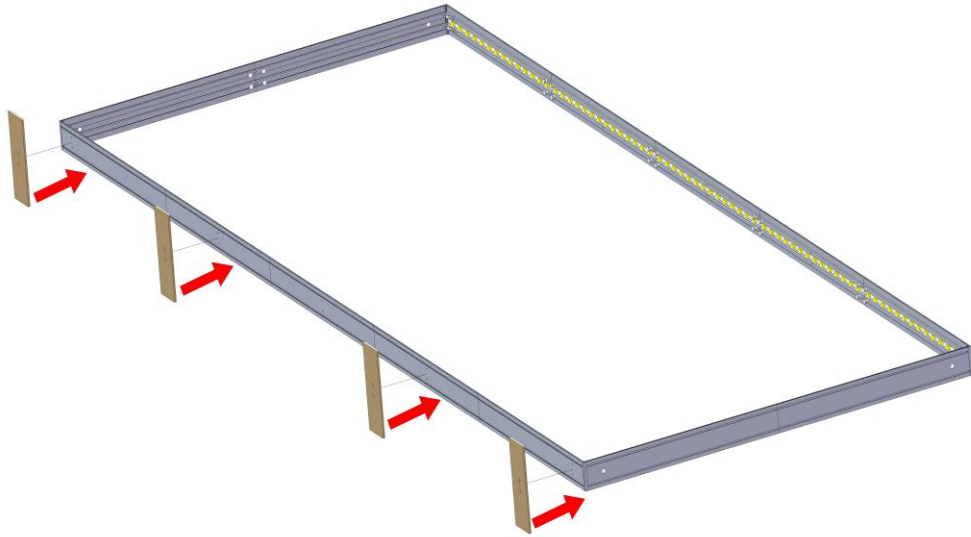
5: Slide side Frame Panels into Frame Panels with LED Light Strips.



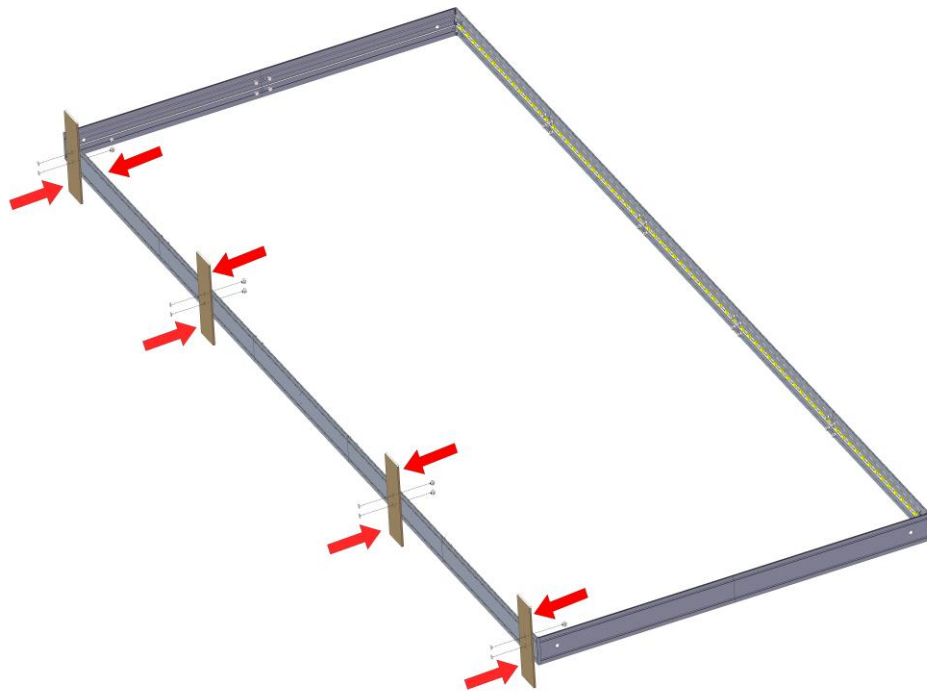
6: Push down clips to secure.
Repeat steps 2-6 for other half of the frame.

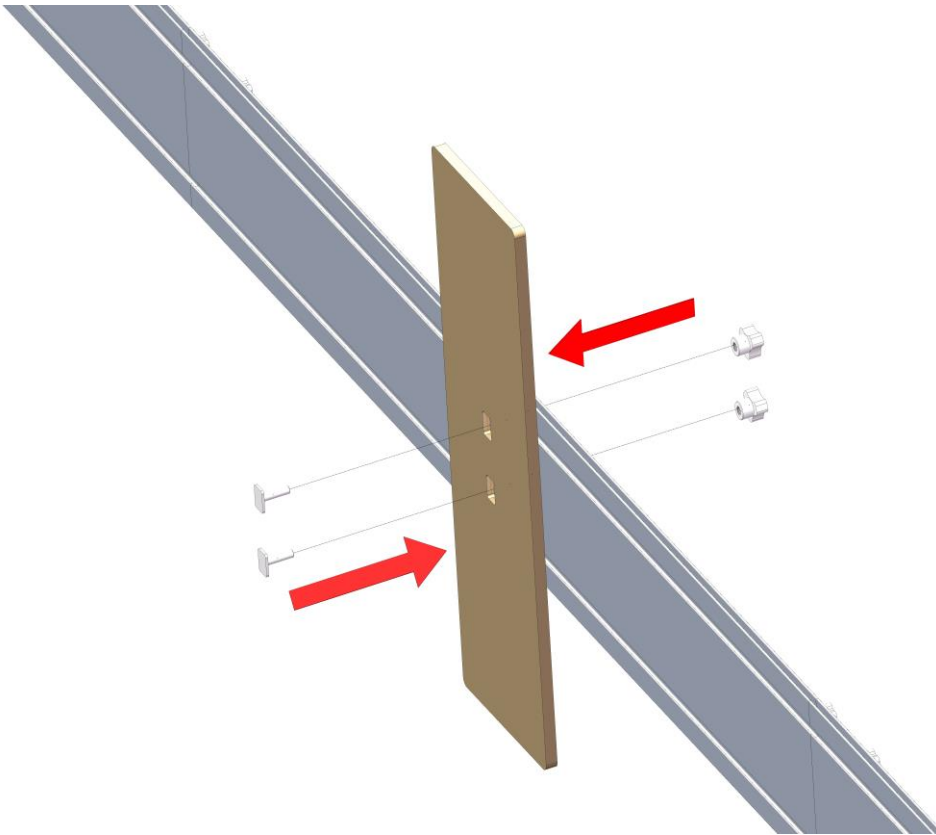


7: Attach top and bottom of frame together with flat connecting brackets and knobs.

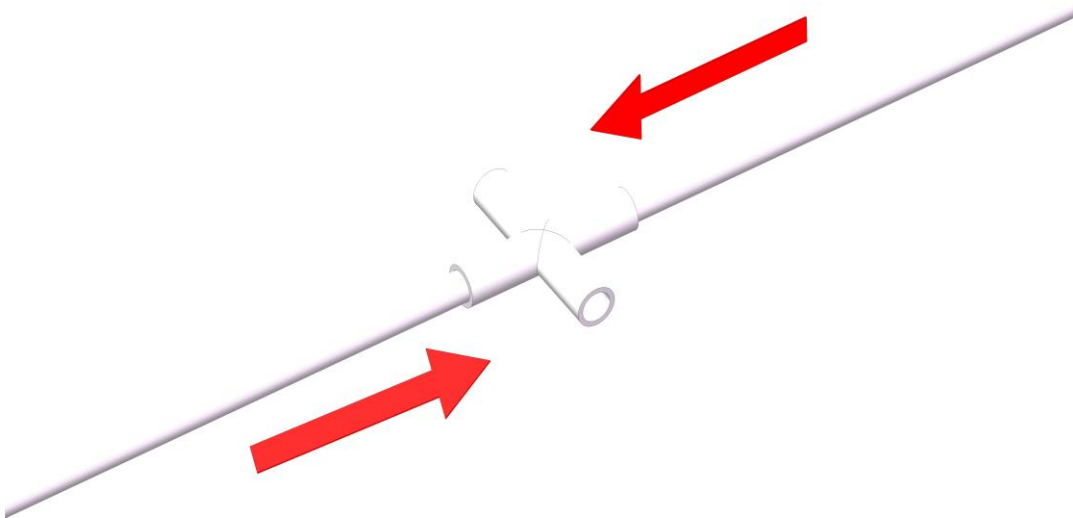


8: Align 4 feet with bottom of frame.

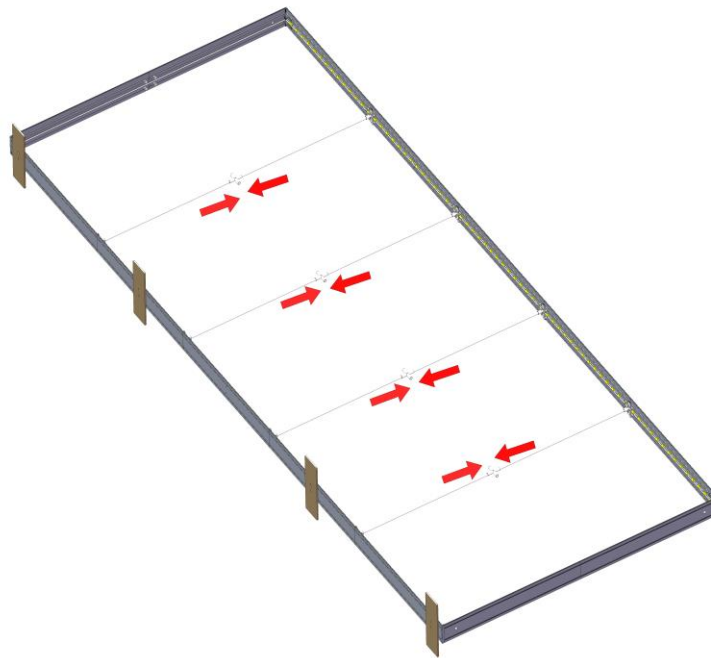
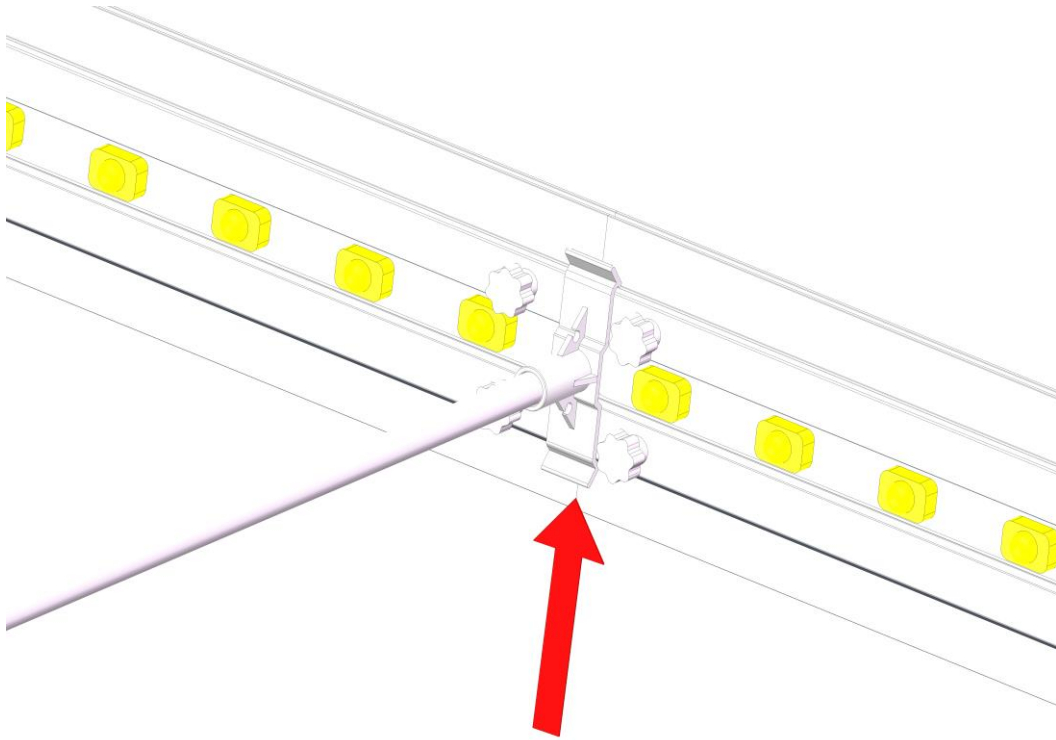




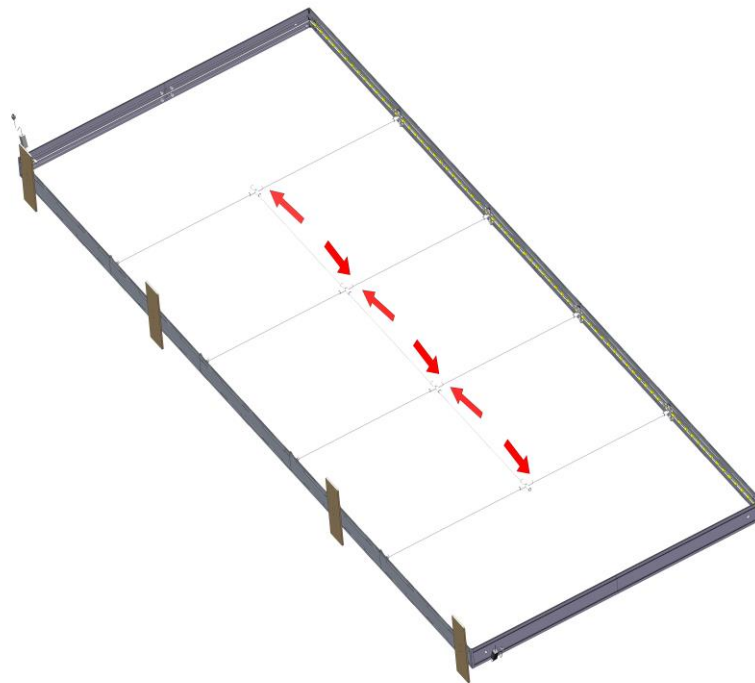
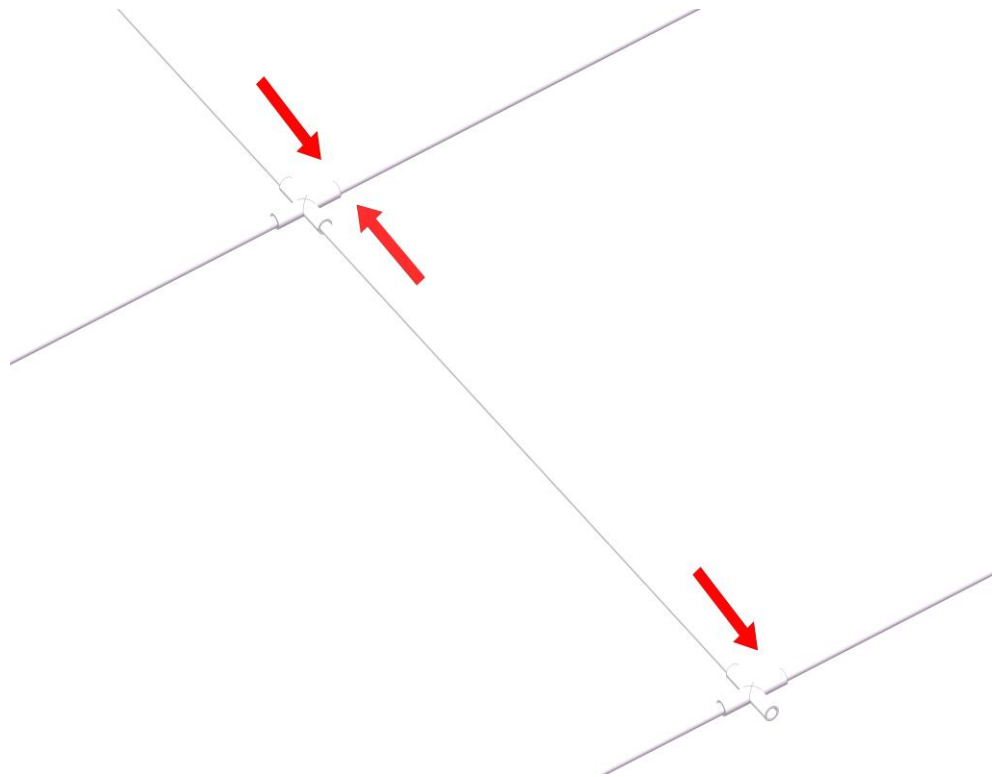
9: Secure feet with nuts and screws.



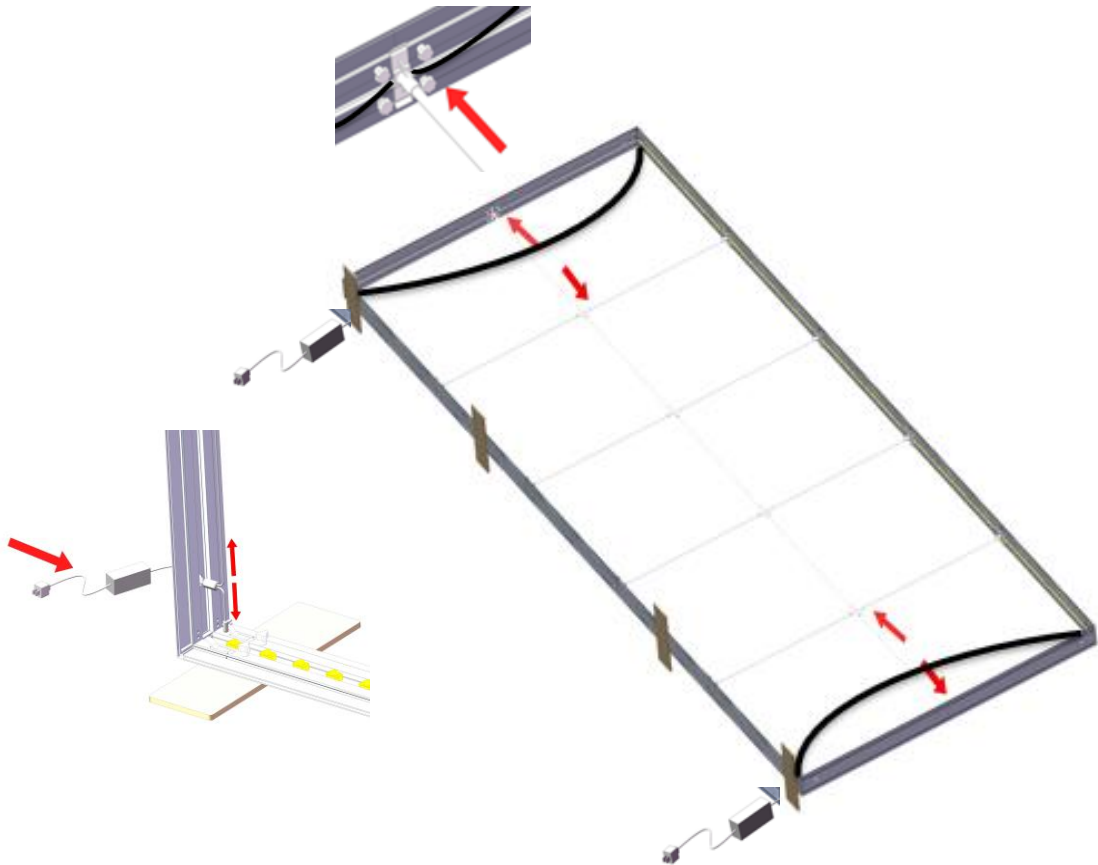
10: Attach Support Pole Connectors.



11: Clip Vertical Support Poles into Top and Bottom Frame Panels.

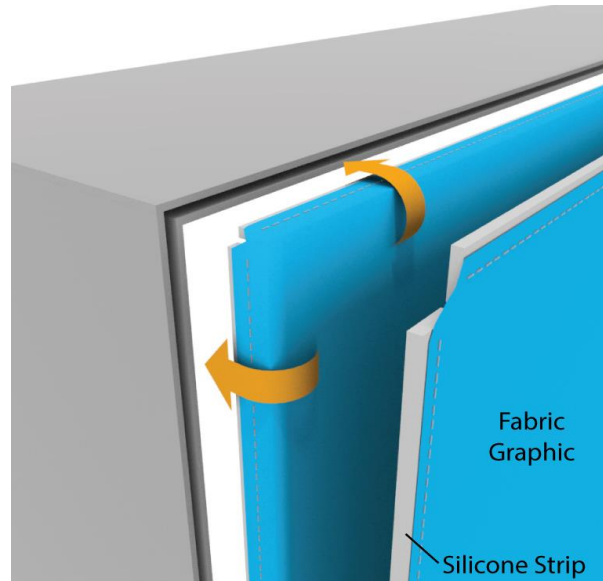


12: Attach middle horizontal support poles into connectors and clip Horizontal Support Poles into Left and Right Frame Panels.

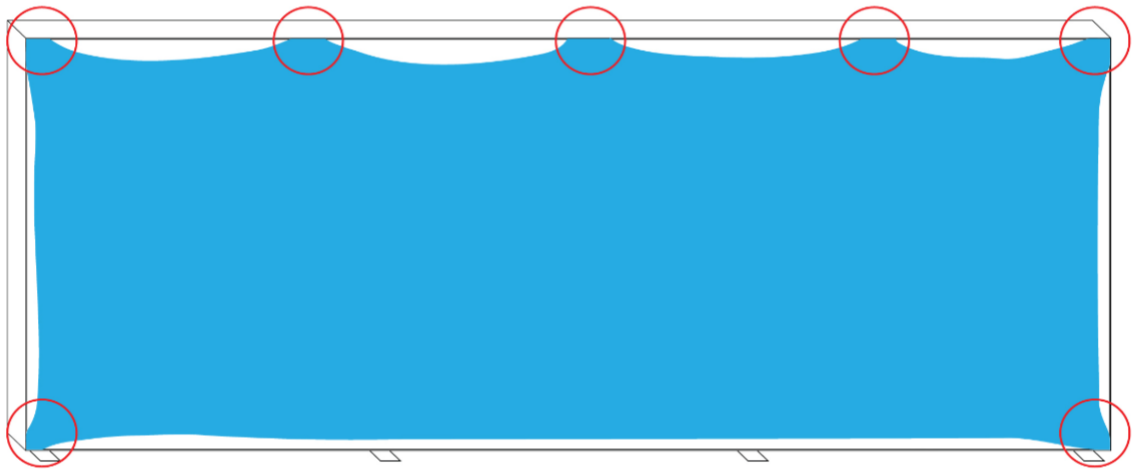


- 13:** Insert power splitter through rubber grommet one end at a time.
Plug in electrical cords to top and bottom of frame.
Be sure electrical cord is secure behind support pole clip.
Keep frame laying down.

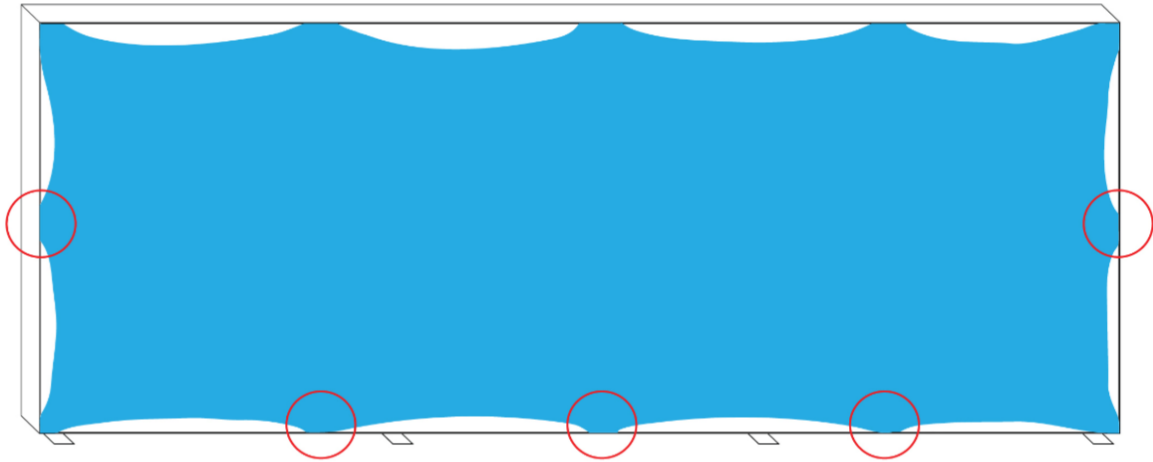
14. SEG Graphic Instructions



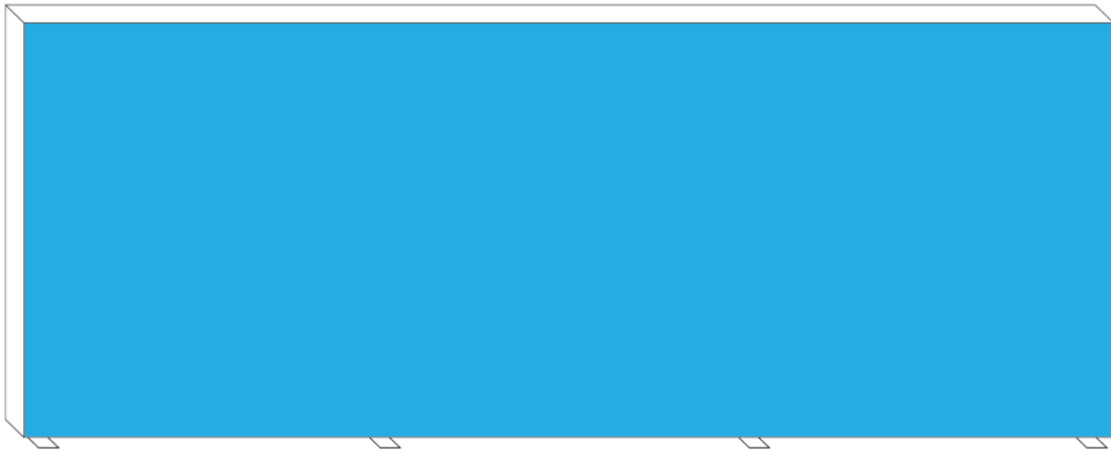
Silicone Edge Graphics (SEG) are installed by folding the graphic material, along with the silicone strip, and inserting it into the channel. Use your fingertip to aid in the installation process.



Begin at the top corner of the frame and tuck the graphic into the channel. Proceed to tuck the graphic every few feet across the top and then the remaining corners of the graphic.

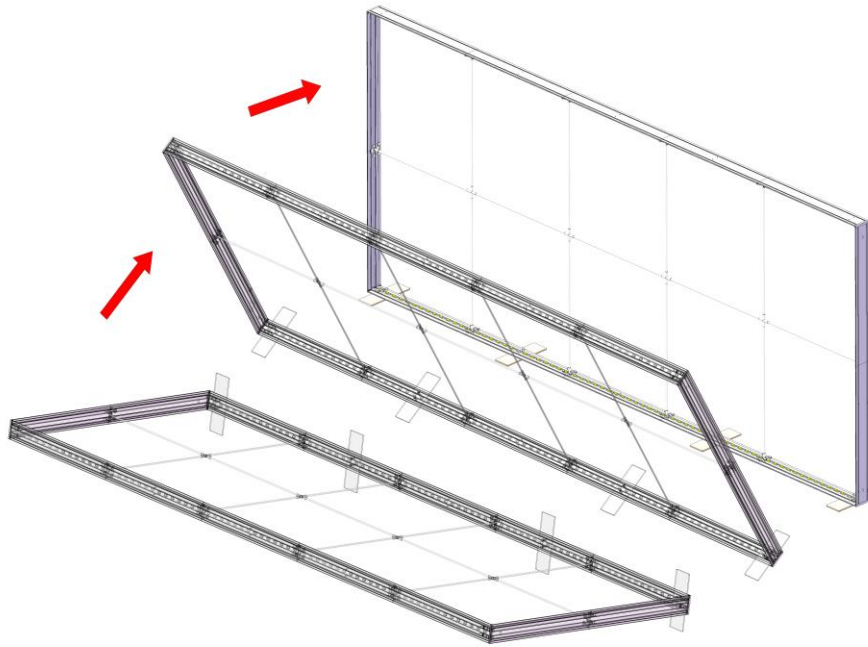


Move to the middle on each side and every few feet across the bottom.

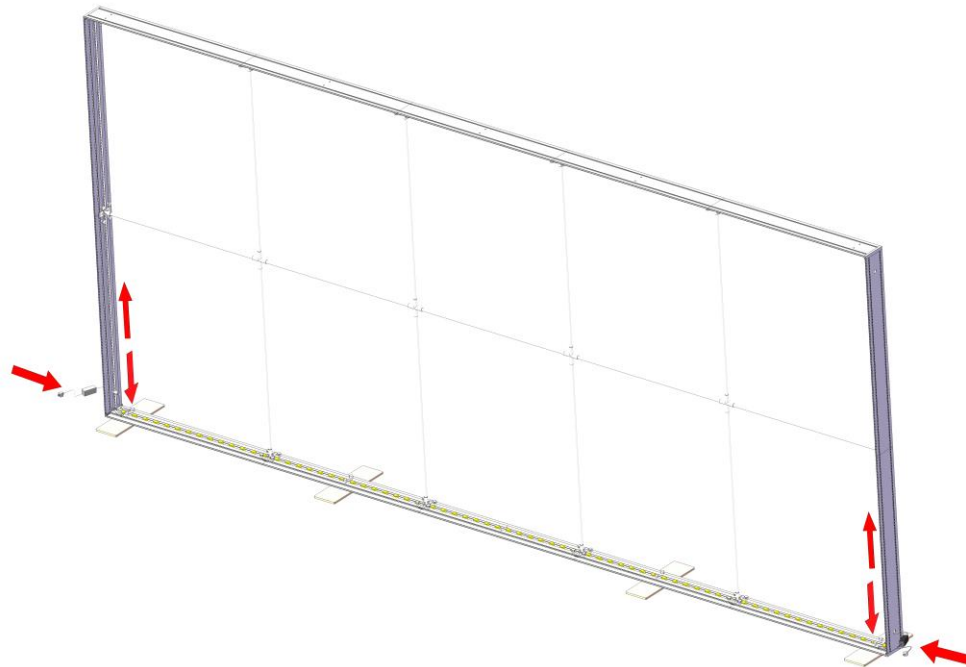


To avoid distorting the graphic, ensure that you do not stretch the silicone edge. Tuck the remaining perimeter of the graphic material into the channel.

Flip frame over and repeat installation steps for fabric on back of frame.



15: Using at least 2 people, carefully lift frame upright.



16: Plug in electrical power supplies and enjoy your brilliant display.