

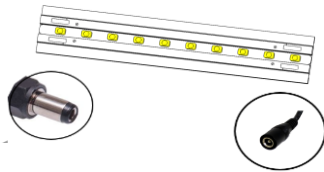
4' Prism Backlit Banner Stand



Frame size: 46 inches x 92 inches

Parts for Assembly

Set-up requires 2 people



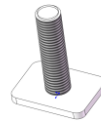
2 - Frame Panels
with LED Lights



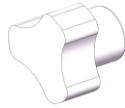
4 - Side Frame
Panels



2 - Feet



4 - Screws for Feet



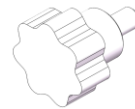
4 - Nuts for Feet



4 - Flat Connecting
Brackets



Horizontal Support
Pole

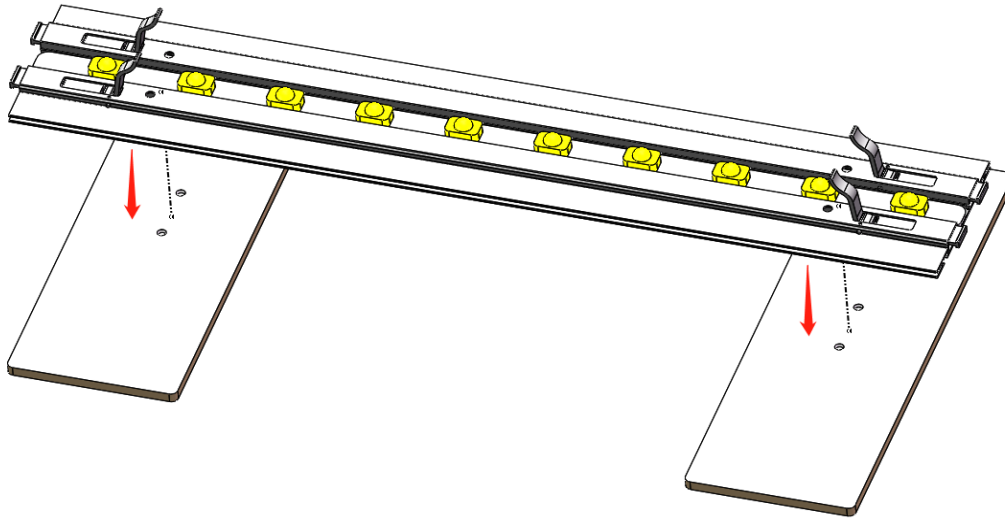


8 - Knobs for Flat
Connecting Brackets

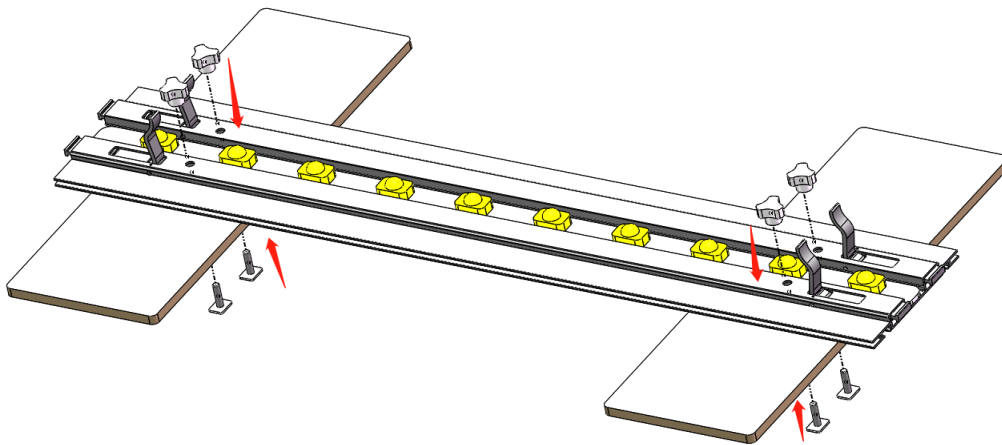


Power Supply

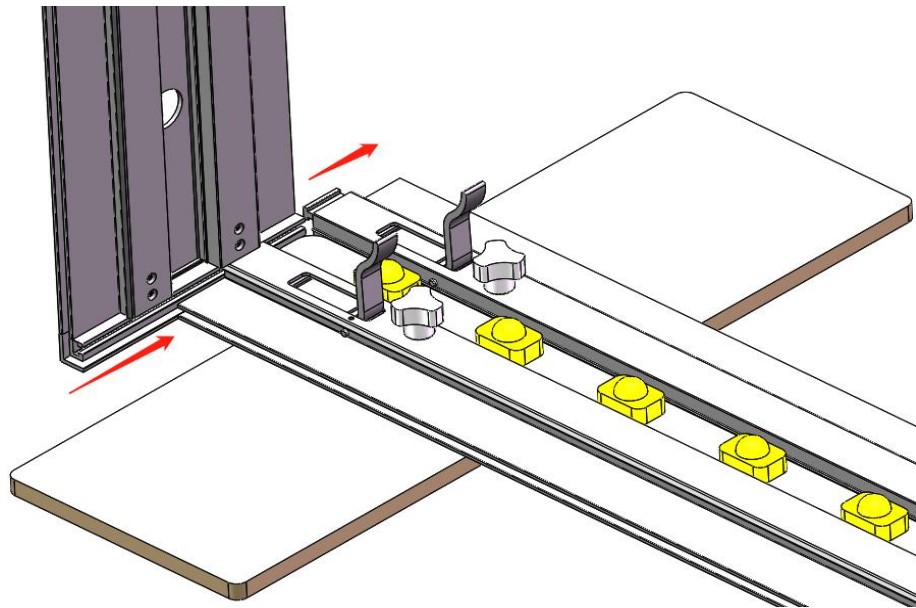
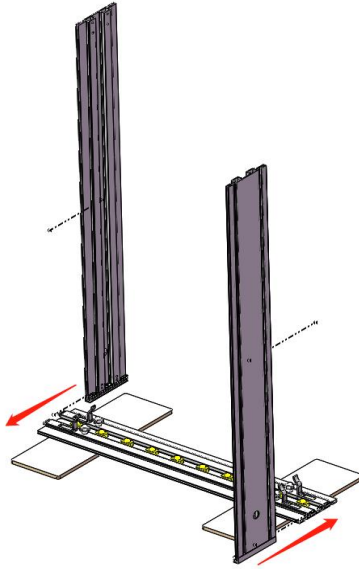
Step-by-Step Instructions



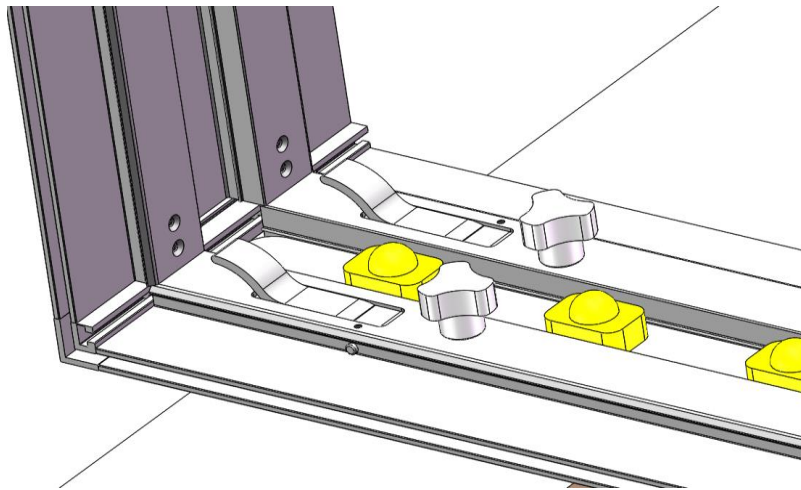
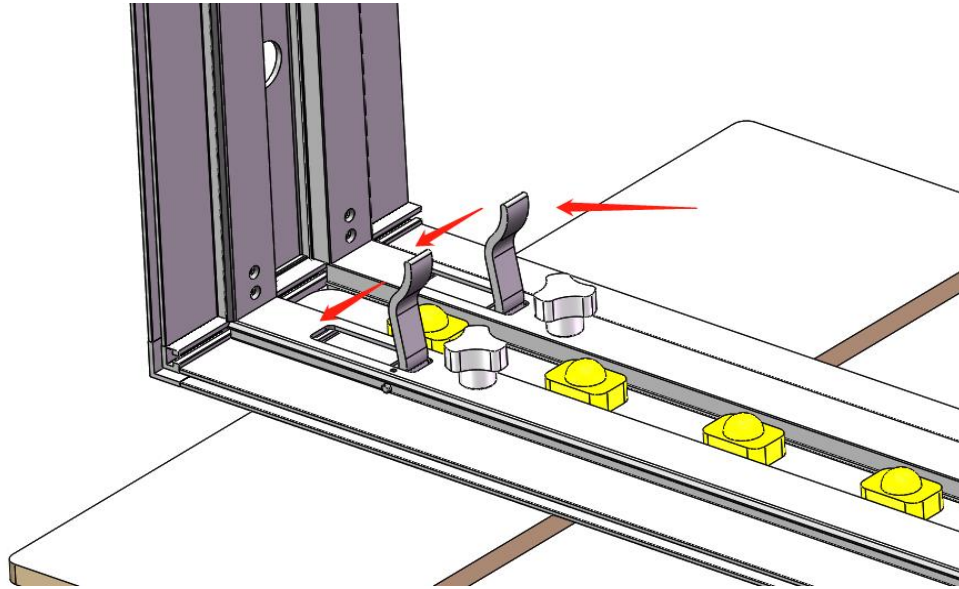
1: Align feet with bottom of frame.



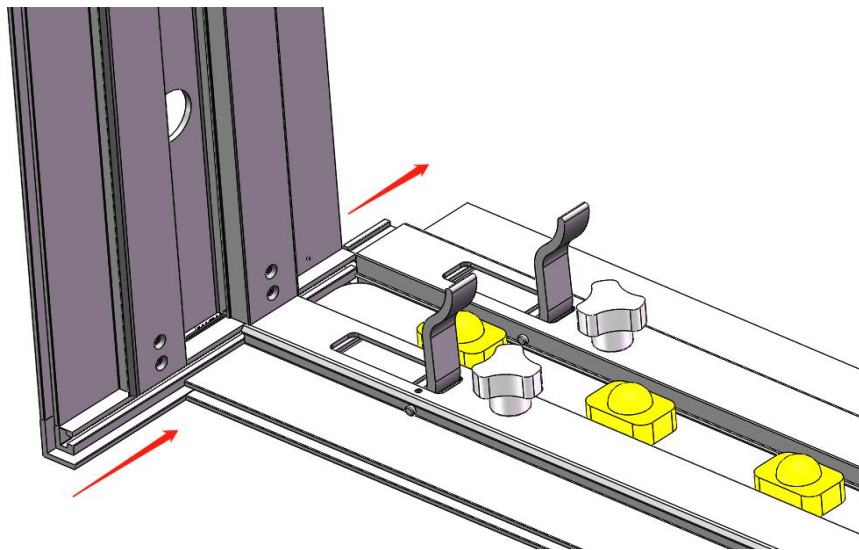
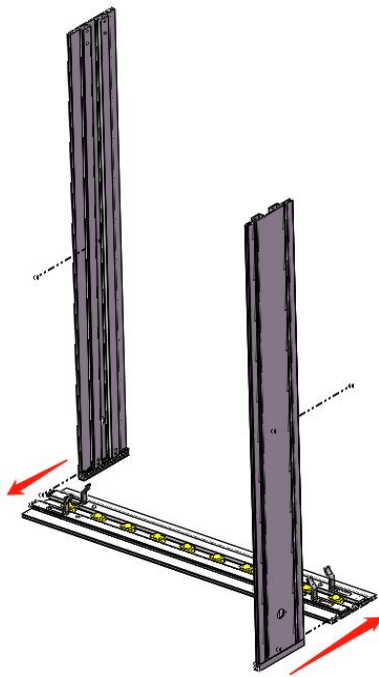
2: Secure feet with nuts and screws.



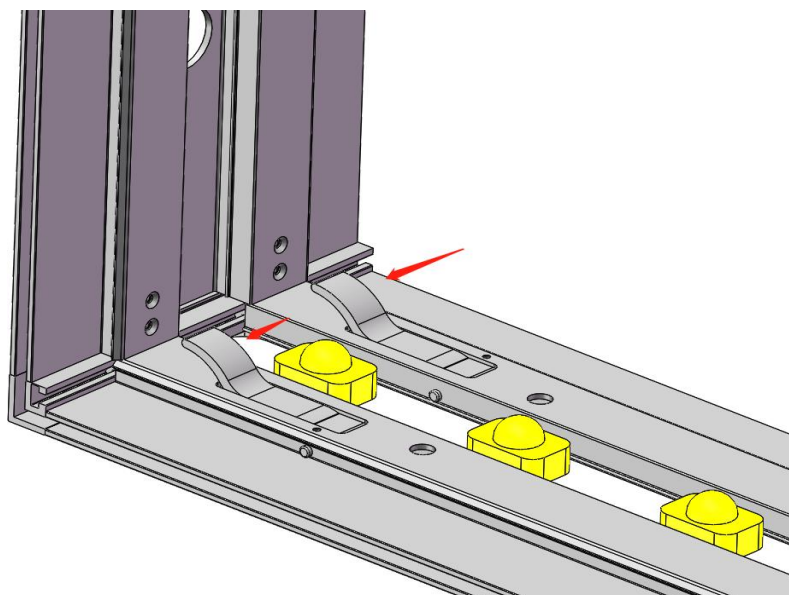
3: Open clips on Frame Panels with LED Light Strips.
Slide side Frame Panels into Bottom Frame Panel.



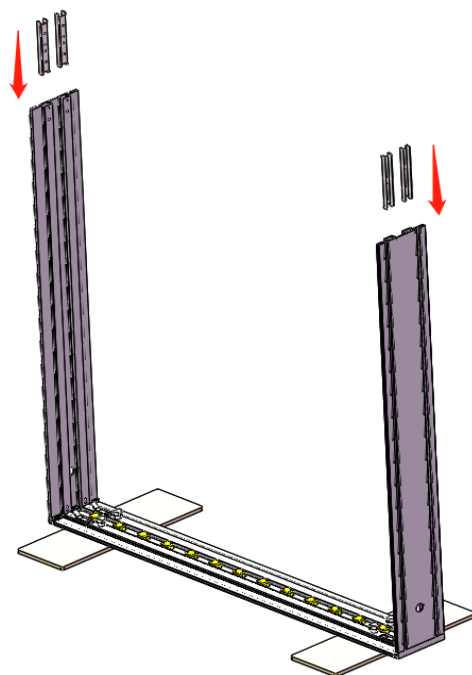
4: Push down clips to secure.



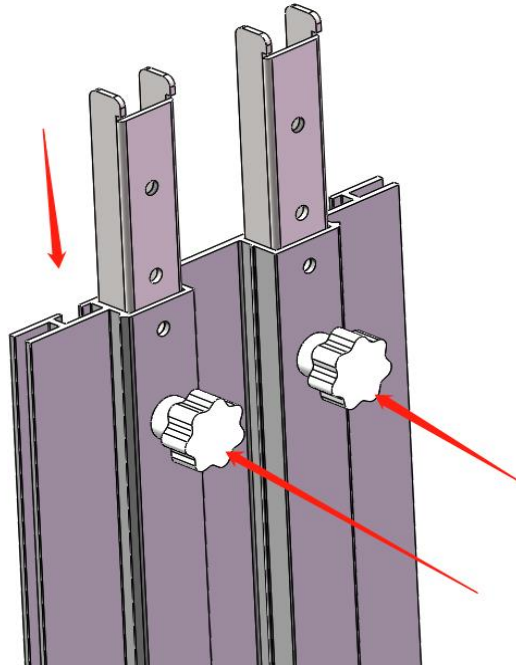
5: Open clips on other side of Bottom Panel with LED Light Strips.
Slide side Frame Panels into Bottom Frame Panel.



6: Push down clips to secure.

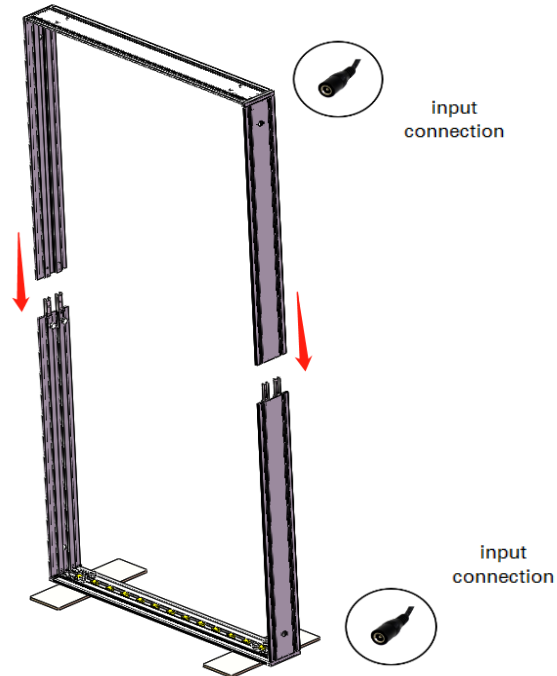


7: Insert flat connecting brackets into side frame panels.

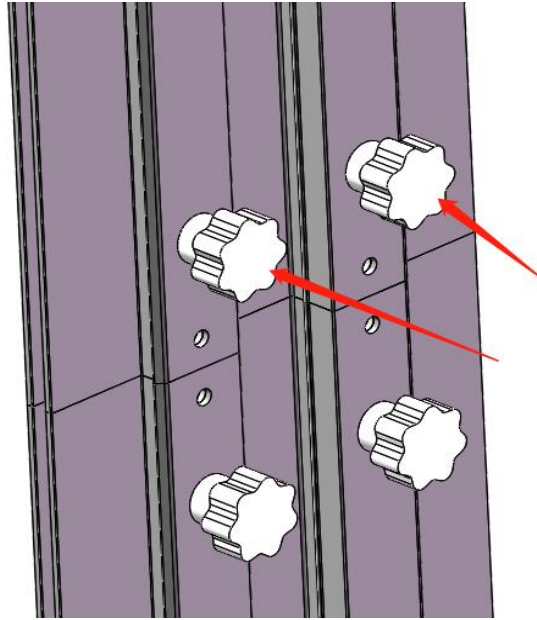


8: Screw in knobs to attach flat connecting brackets to frame panels.

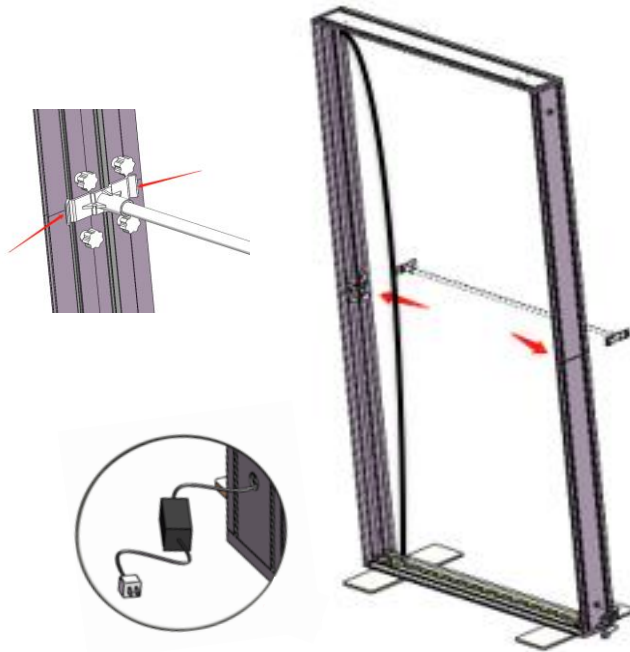
9: Repeat steps 3 - 6 for top of display



10. Attached top side of frame into flat connecting brackets.
Make sure LED light plug orientation are on the same side of frame.

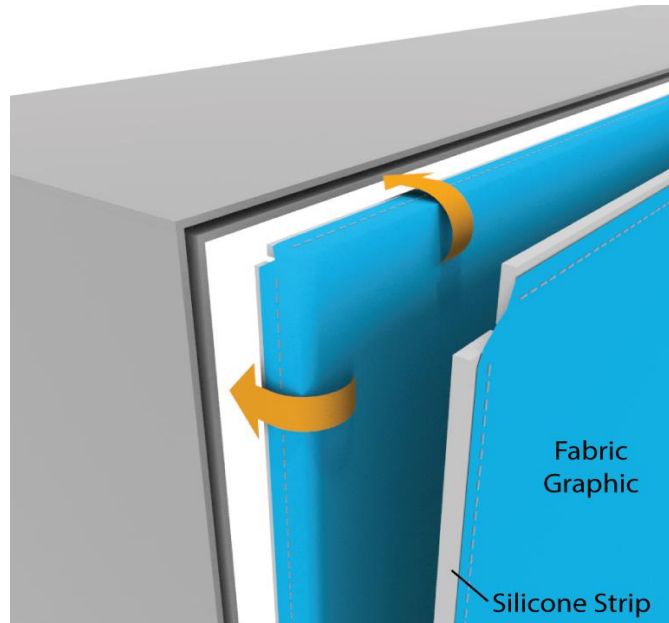


11: Screw in knobs to attach flat connecting brackets to frame panels.

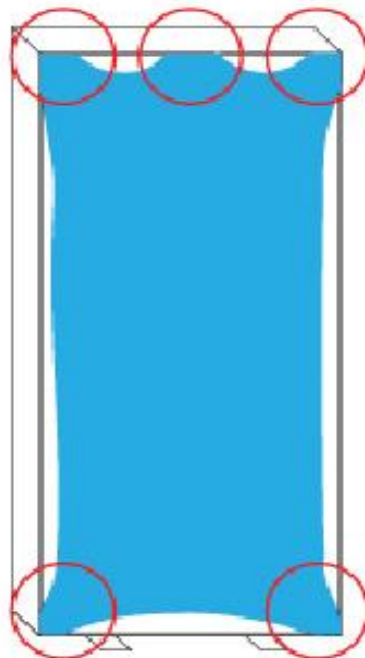


12: Clip Horizontal Support Poles into Left and Right Frame Panels. Insert power splitter through rubber grommet one end at a time. Plug in electrical cords to top and bottom of frame. Be sure electrical cord is secure behind support pole clip. Keep frame laying down.

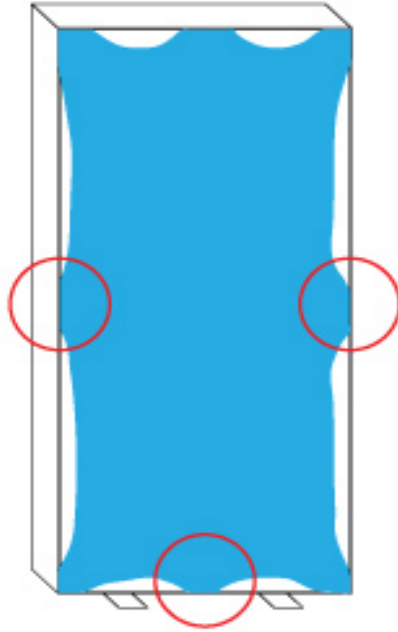
13. SEG Graphics Instruction



Silicone Edge Graphics (SEG) are installed by folding the graphic material, along with the silicone strip, and inserting it into the channel. Use your fingertip to aid in the installation process.



Begin at the top corner of the frame and tuck the graphic into the channel. Proceed to tuck the middle of the top and then the remaining corners of the graphic.

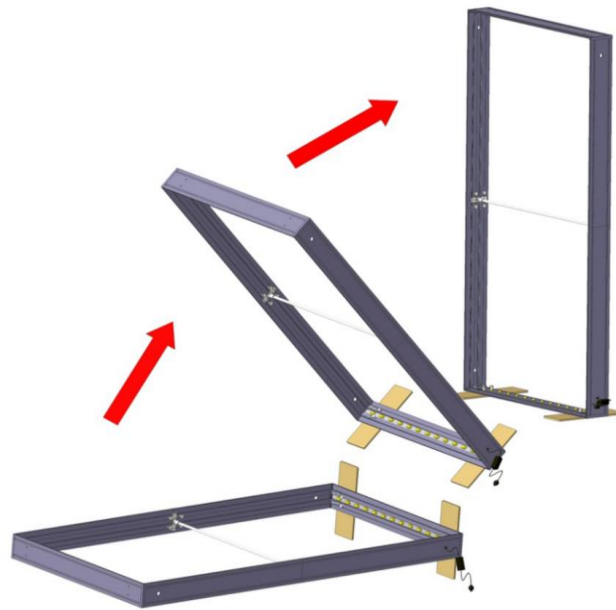


Move to the middle on each side.

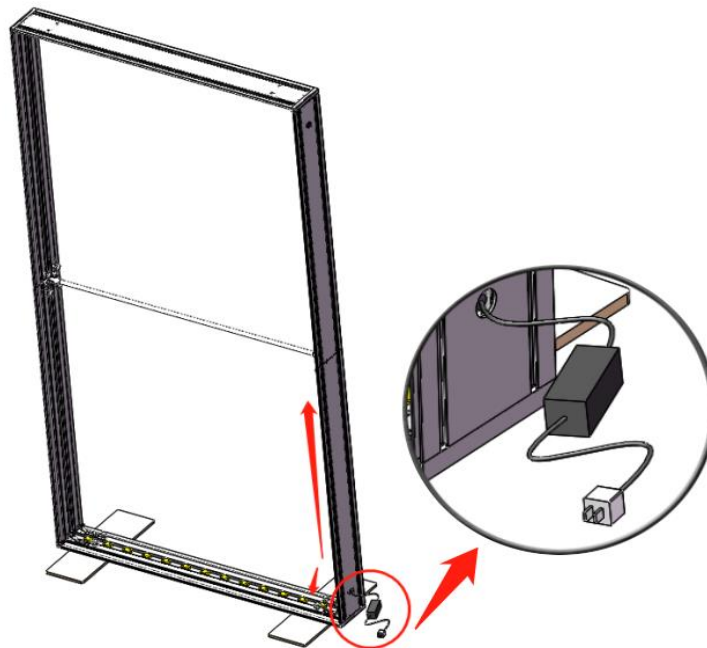


To avoid distorting the graphic, ensure that you do not stretch the silicone edge. Tuck the remaining perimeter of the graphic material into the channel.

Flip frame over and repeat installation steps for fabric on back of frame.



14: Using 2 people, carefully lift frame upright.



15: Plug in electrical power supply box and enjoy your brilliant display.