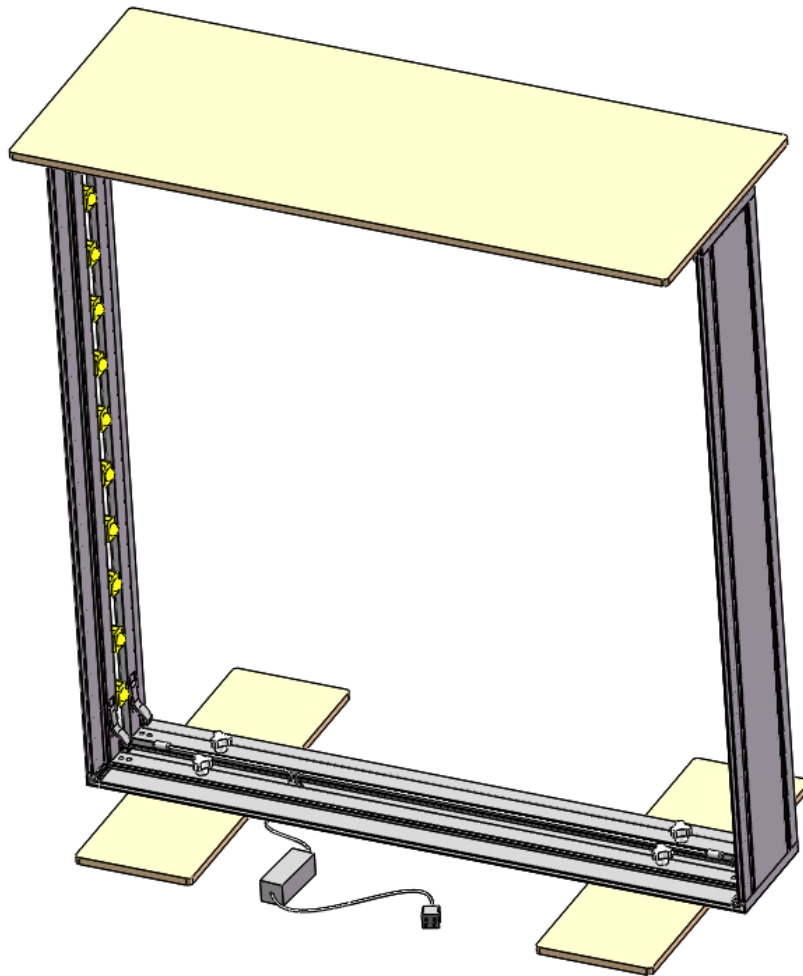


# Prism Backlit Counter



**Frame size:** 34 inches x 39 inches

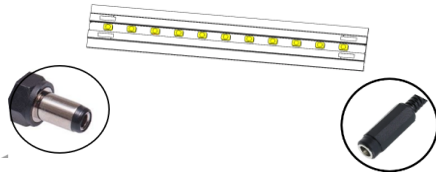
## Parts for Assembly



Bottom Frame Panel



Top Frame Panel



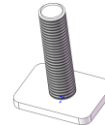
2 - Side Frame Panels with LED Light Strips



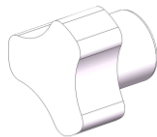
2 - Feet



Countertop



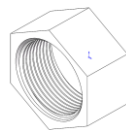
4 - Screws for Feet



4 - Nuts for Feet

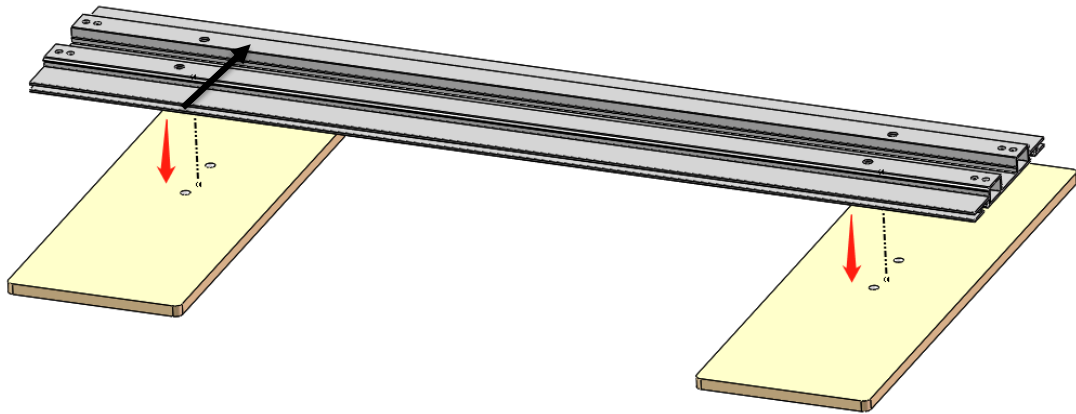


Power Supply

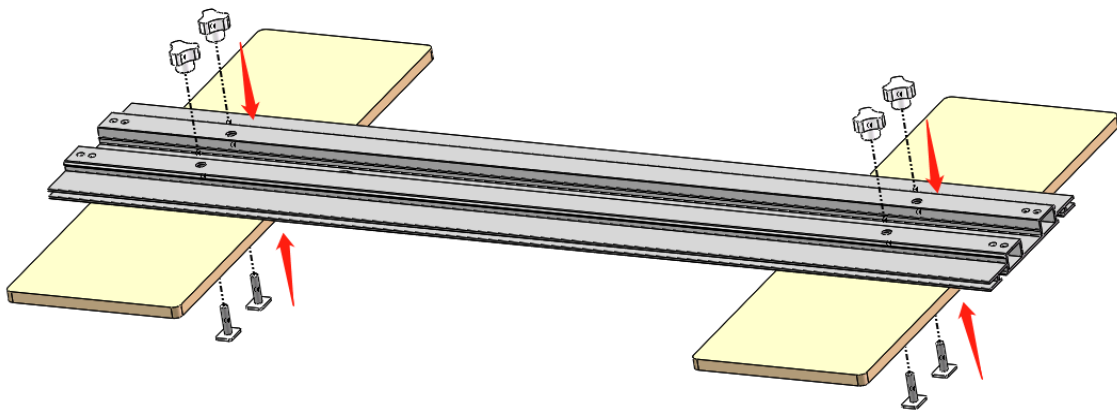


2 - Countertop connection nuts

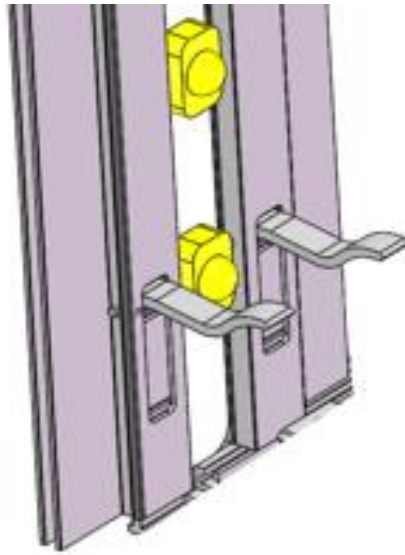
## Step-by-Step Instructions



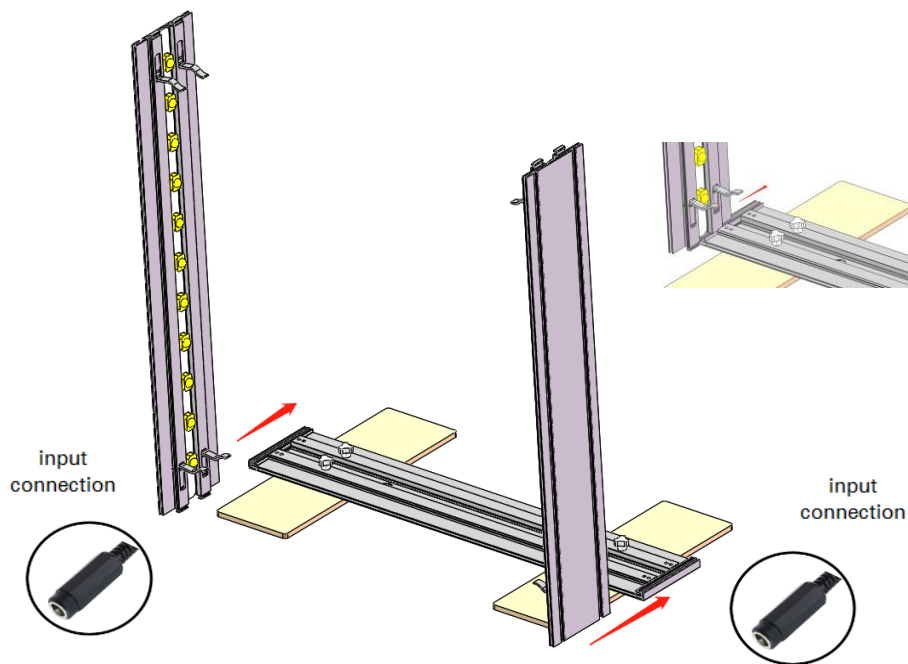
**1:** Align feet with bottom of frame.



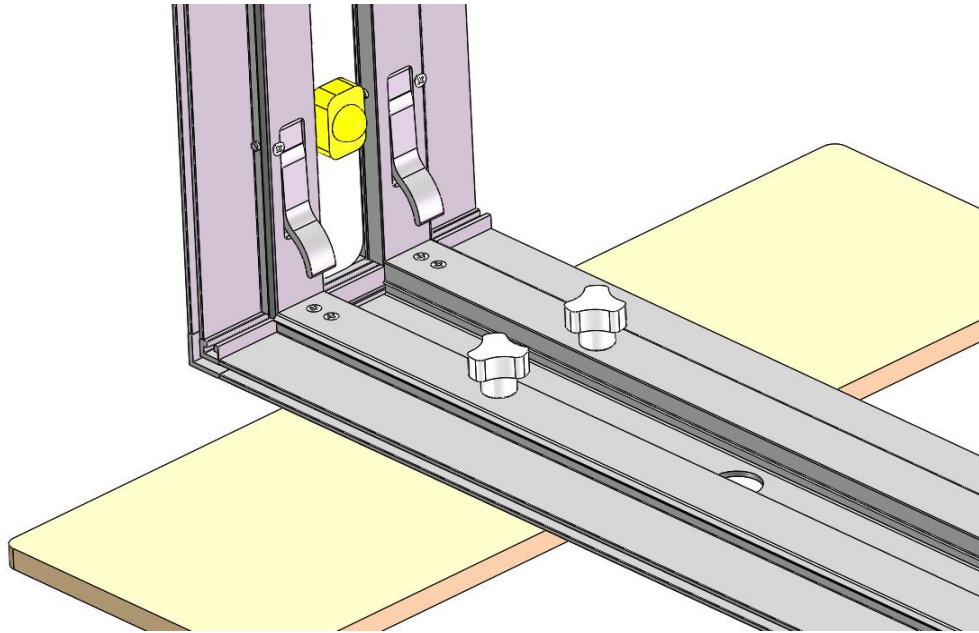
**2:** Secure feet with nuts and screws.



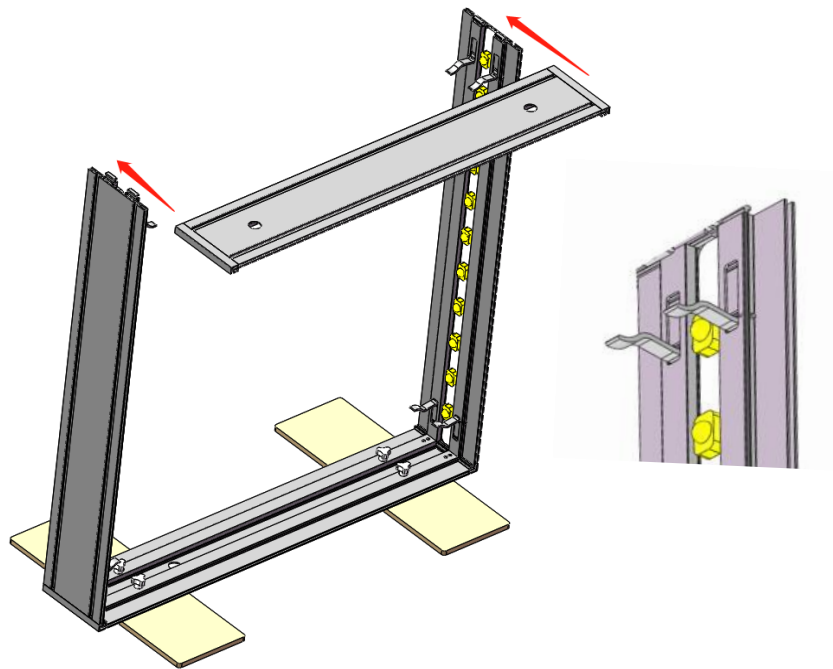
**3:** Open clips on Frame Panels with LED Light Strips.



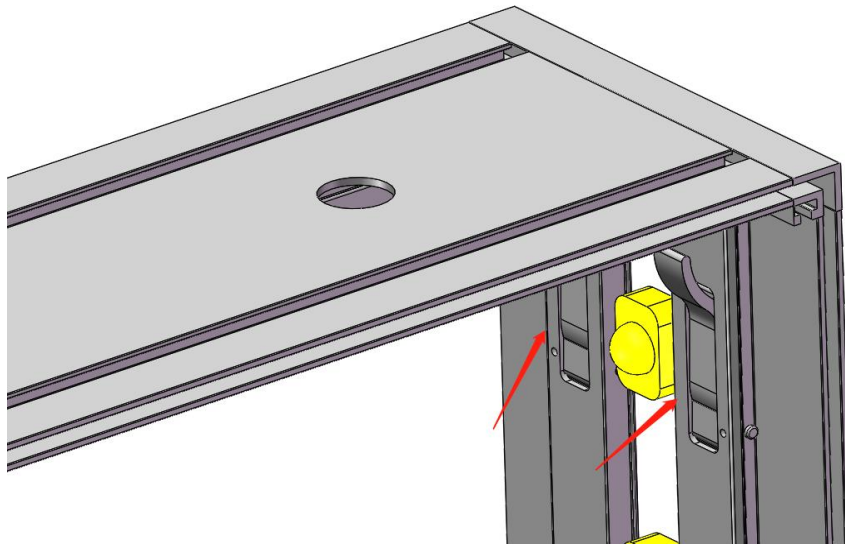
**4:** Slide side LED Light Strip Frame Panels into Bottom Frame Panel. Make sure LED light plug orientation are on the same side of frame.



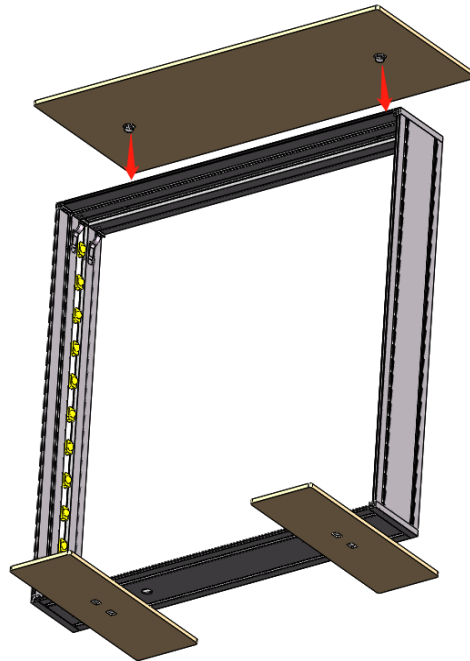
**5:** Push down clips to secure.



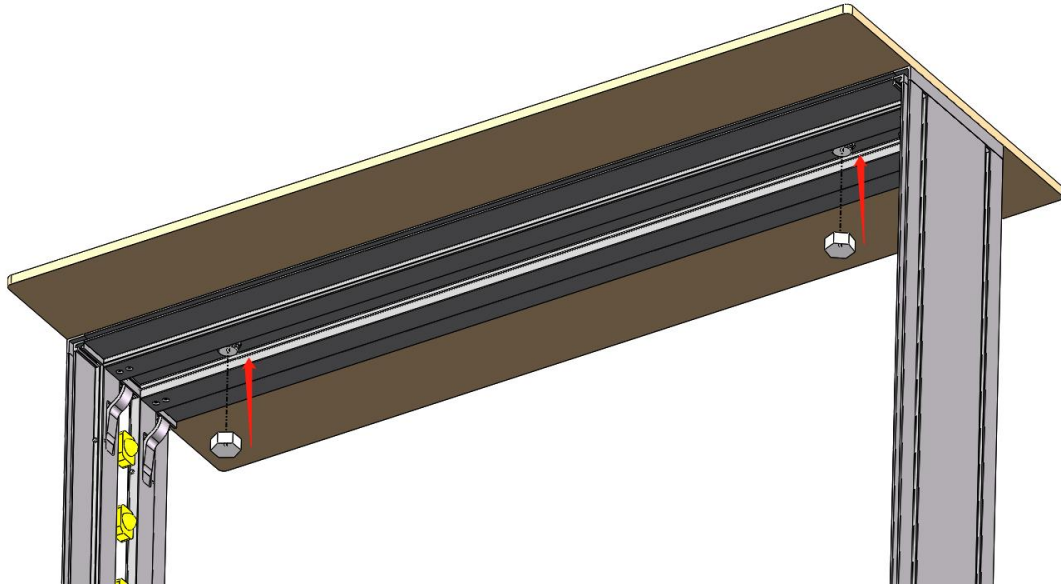
**6:** Open clips on top of frame and slide top frame panel into place.



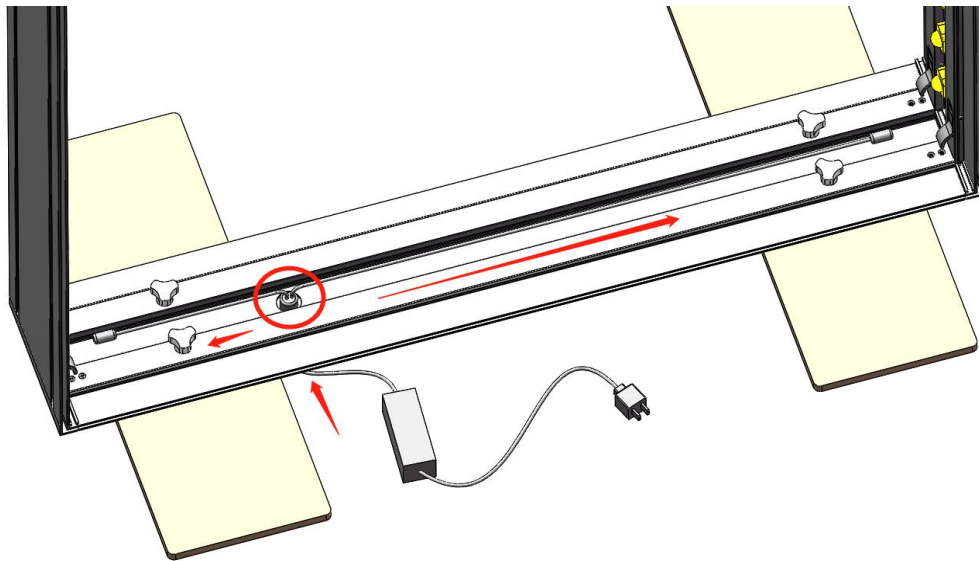
**7:** Push down clips to secure. tight.



**8:** Align countertop onto top frame panel.

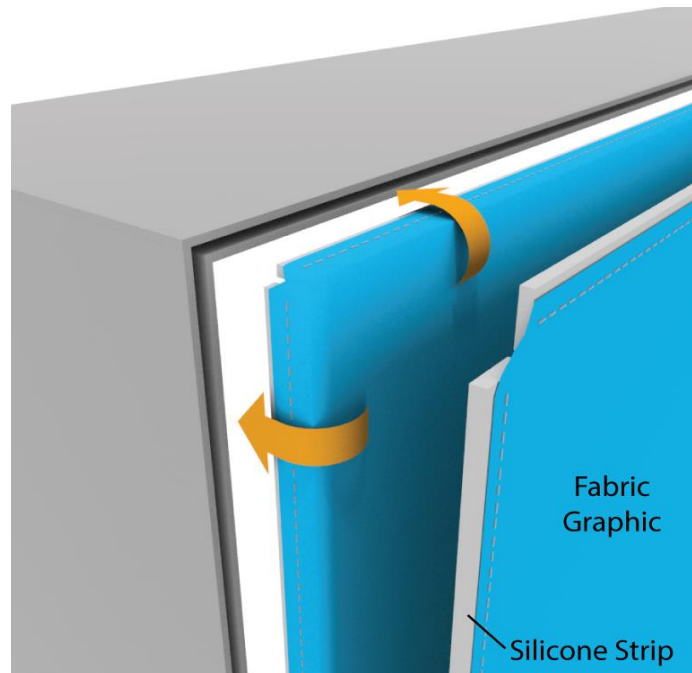


**9:** Secure countertop with connections under top frame panel.

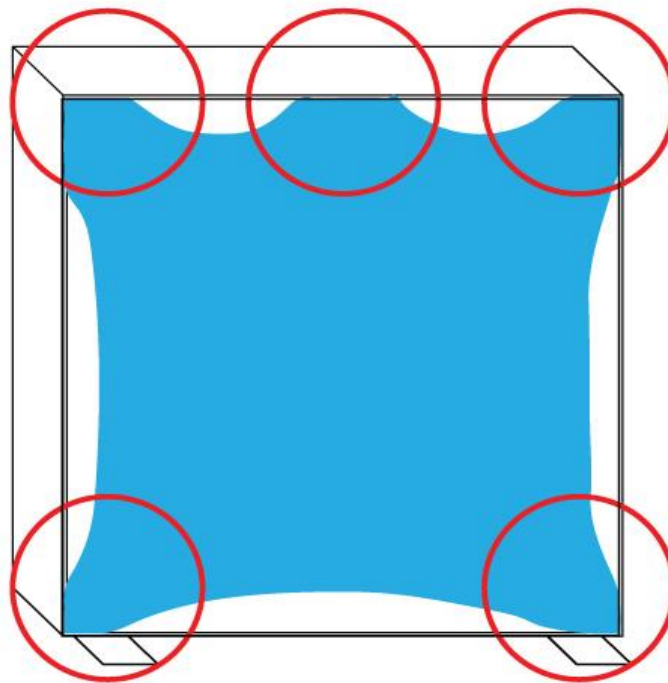


**10:** Insert power splitter through rubber grommet one end at a time.  
Plug in electrical cords on bottom ends of frame.

# 11. SEG Graphic Instructions

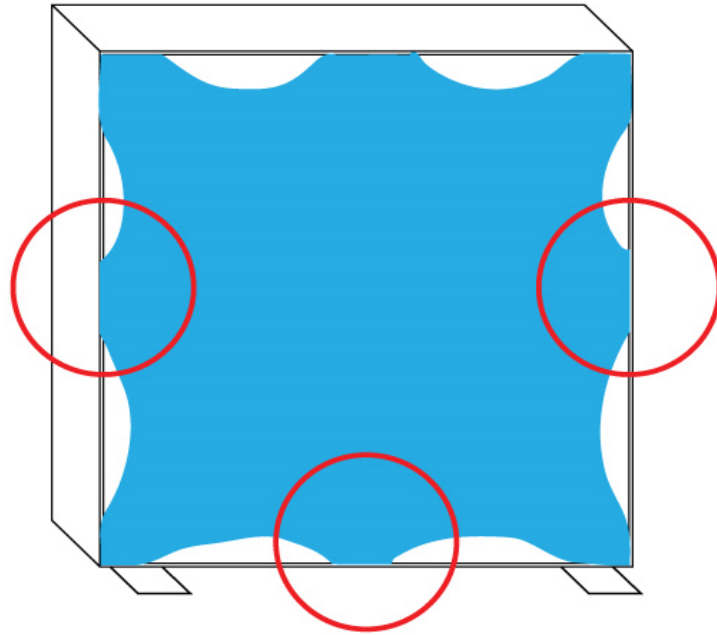


Silicone Edge Graphics (SEG) are installed by folding the graphic material, along with the silicone strip, and inserting it into the channel. Use your fingertip to aid in the installation process.

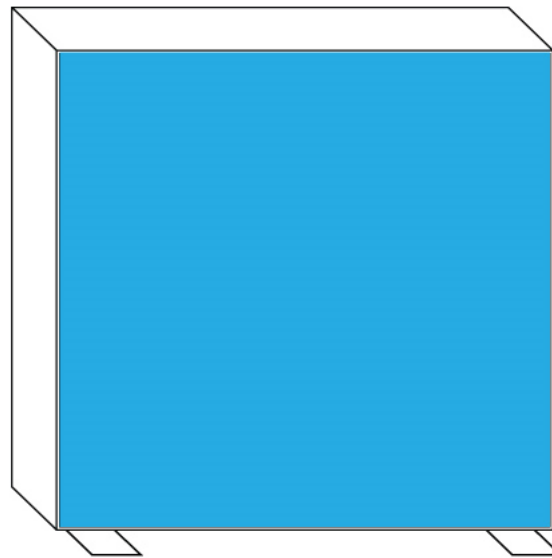


Begin at the top corner of the frame and tuck the graphic into the channel. Proceed to tuck the middle of the top and then the remaining corners of the graphic.



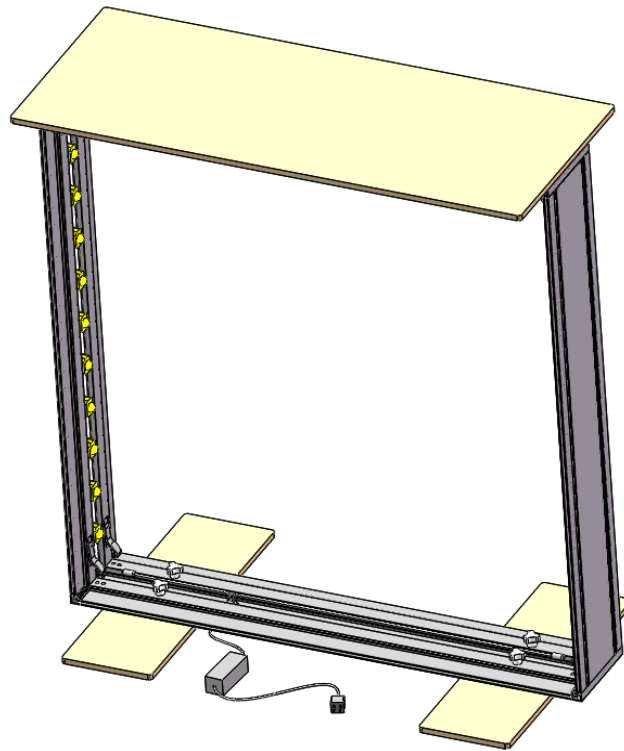


Move to the middle on each side.



To avoid distorting the graphic, ensure that you do not stretch the silicone edge. Tuck the remaining perimeter of the graphic material into the channel.

Flip frame over and repeat installation steps for fabric on back of frame.



**12:** Plug in electrical power supply box and enjoy your brilliant display.