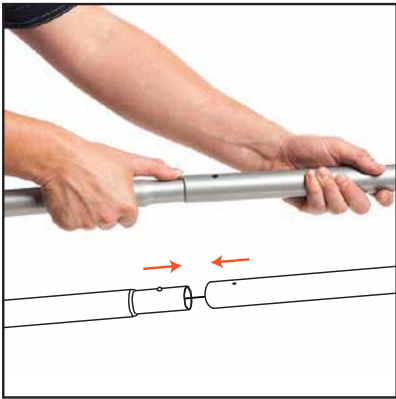
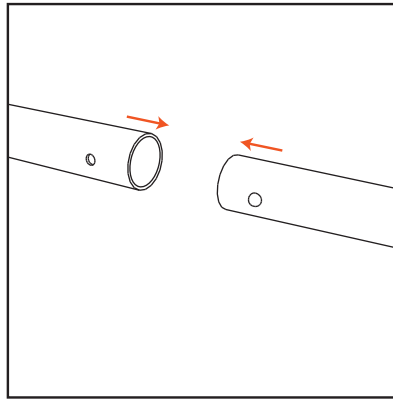


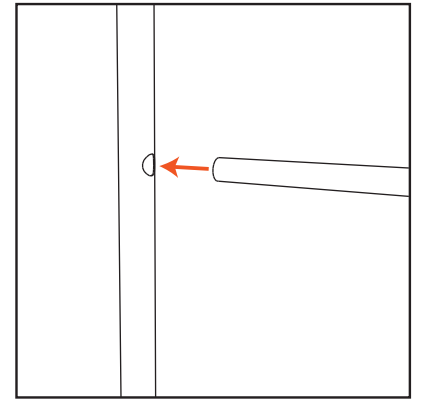
# Renew Banner Stand General Assembly Instructions



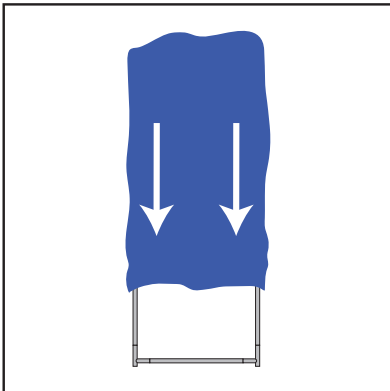
1. Straighten and assemble all bungeed poles.



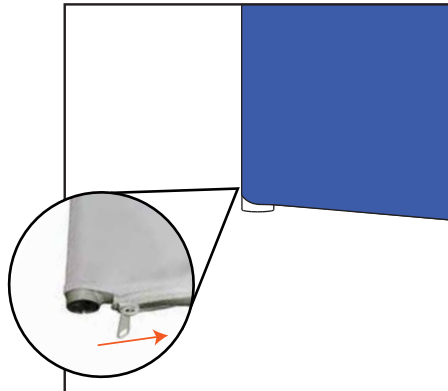
2. Connect poles to corners. Connections are numbered.



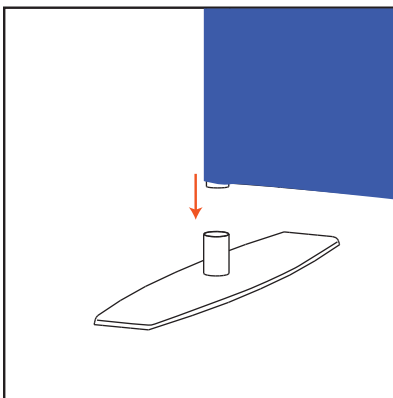
3. Install the horizontal support bar between the vertical poles.



4. Lay frames down. Pull the pillowcase graphic over frame down to the bottom of the frame.



5. Pull the graphic area down and latch the zipper. Zip up the graphic.



6. Attach feet to bottom of frames.

