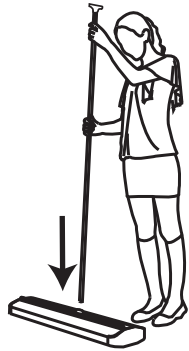


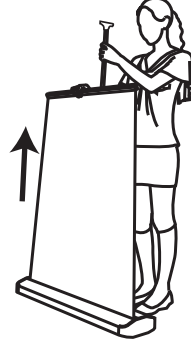
Assembly



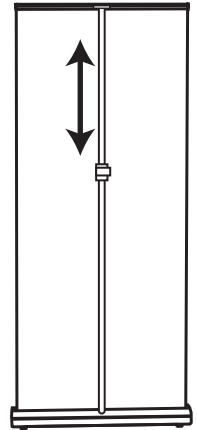
1. Unfold and assemble the pole.



2. Insert the pole into the socket in the banner stand base.

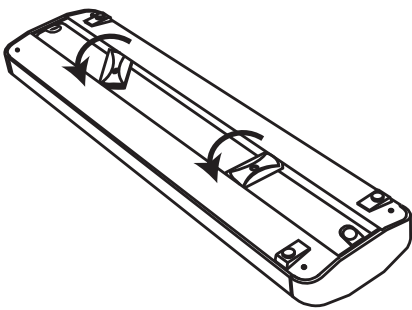


3. Pull the graphic up and attach to the top of the pole.

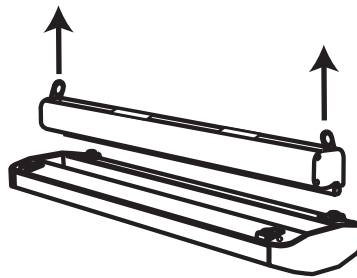


4. Unlock and adjust the pole length to set the banner stand to the desired height.

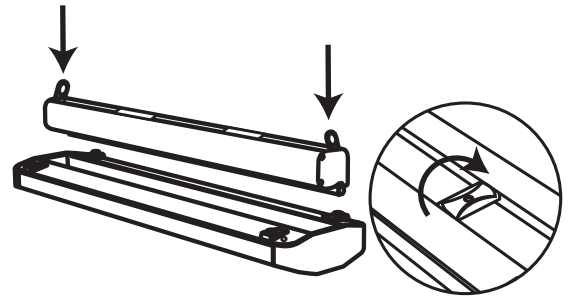
Graphic Replacement



1. Flip the base over and rotate the two locks counter-clockwise.



2. Pull up on the tabs to remove the graphic cartridge



3. Insert the new graphic cartridge and rotate the locks clockwise to secure.