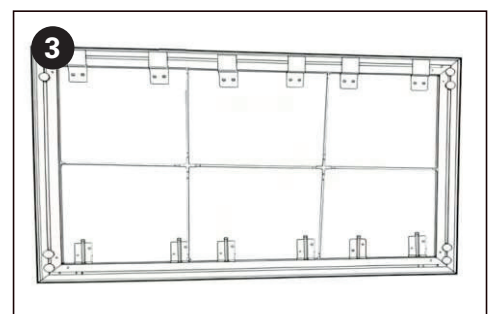
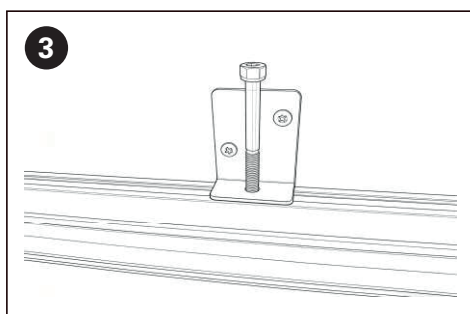
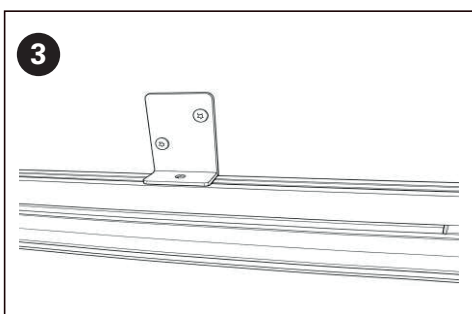
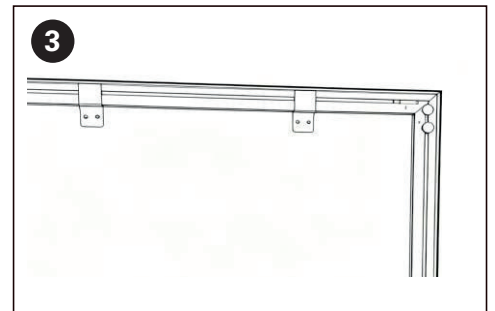
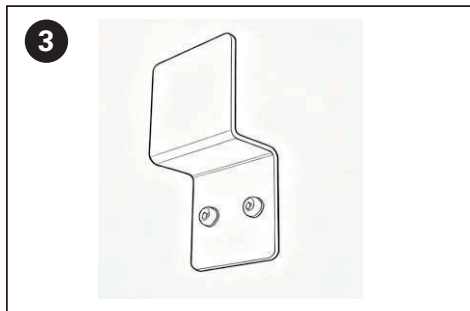
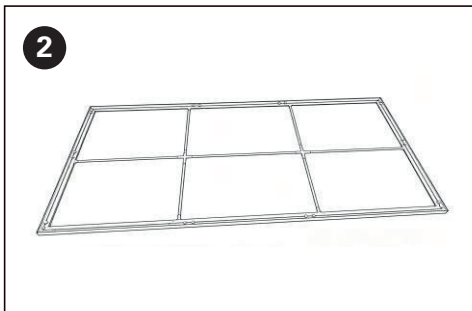
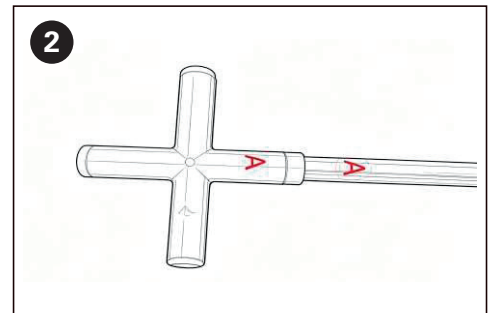
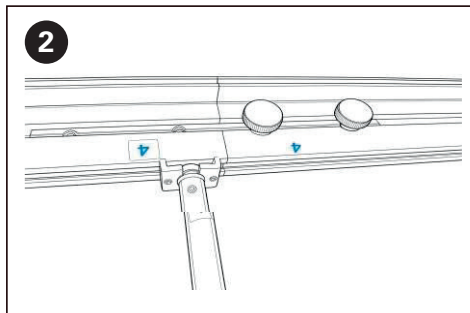
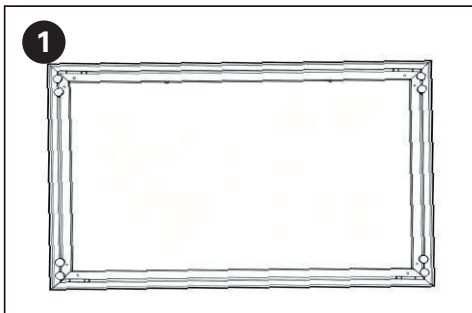
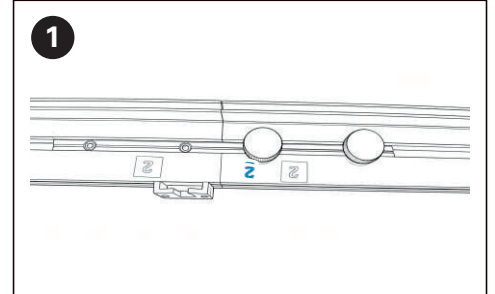
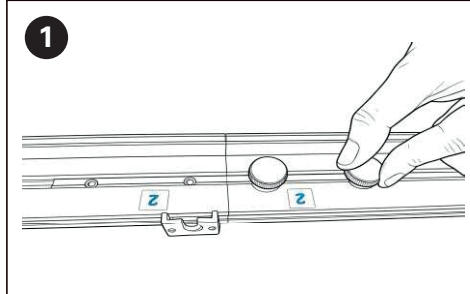
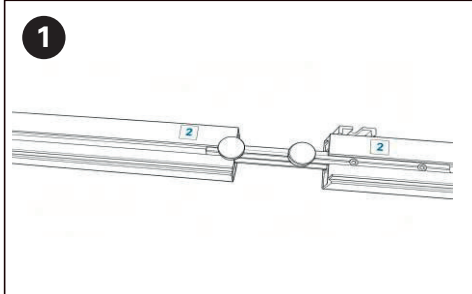
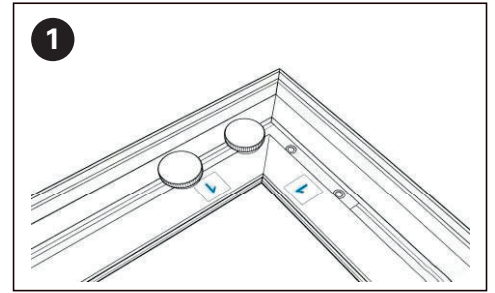
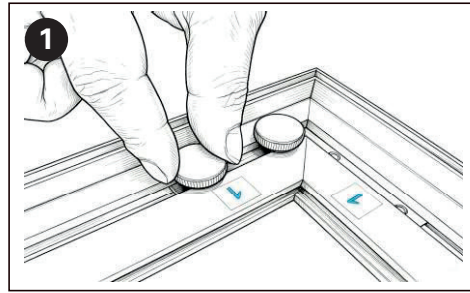
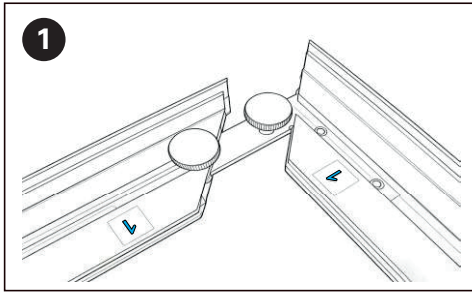


SEG Wall Mount Frames – Installation Instructions



1. Assemble the frame according to the corresponding numbers and tighten the screws
 2. Insert the support rods as marked by the corresponding numbers
 3. Attach the hanging parts and mount the picture frame
 4. Insert SEG edges of fabric into slots on perimeter of frame
- Note: the 24" x 36" does not have support rods, skip step 2